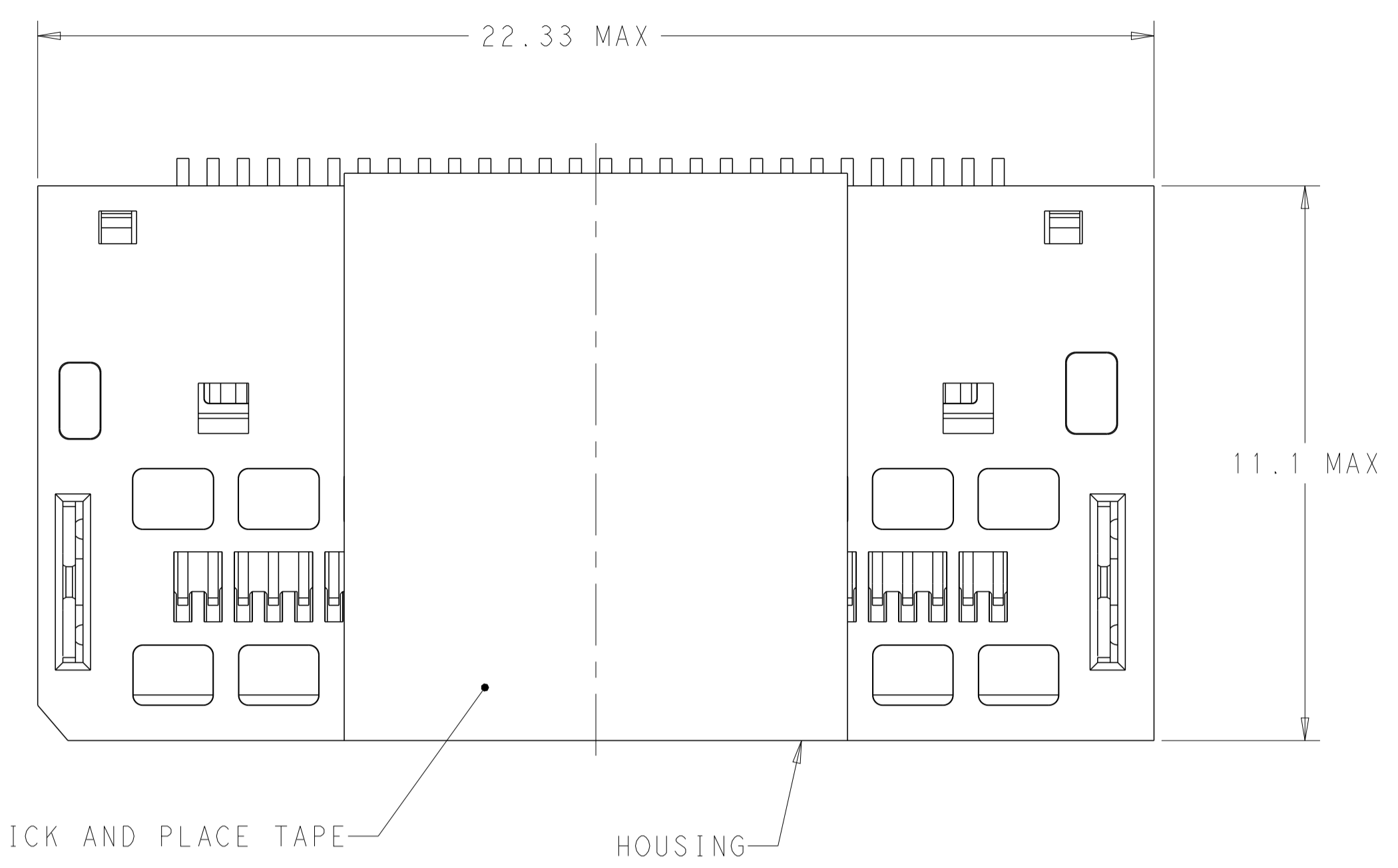
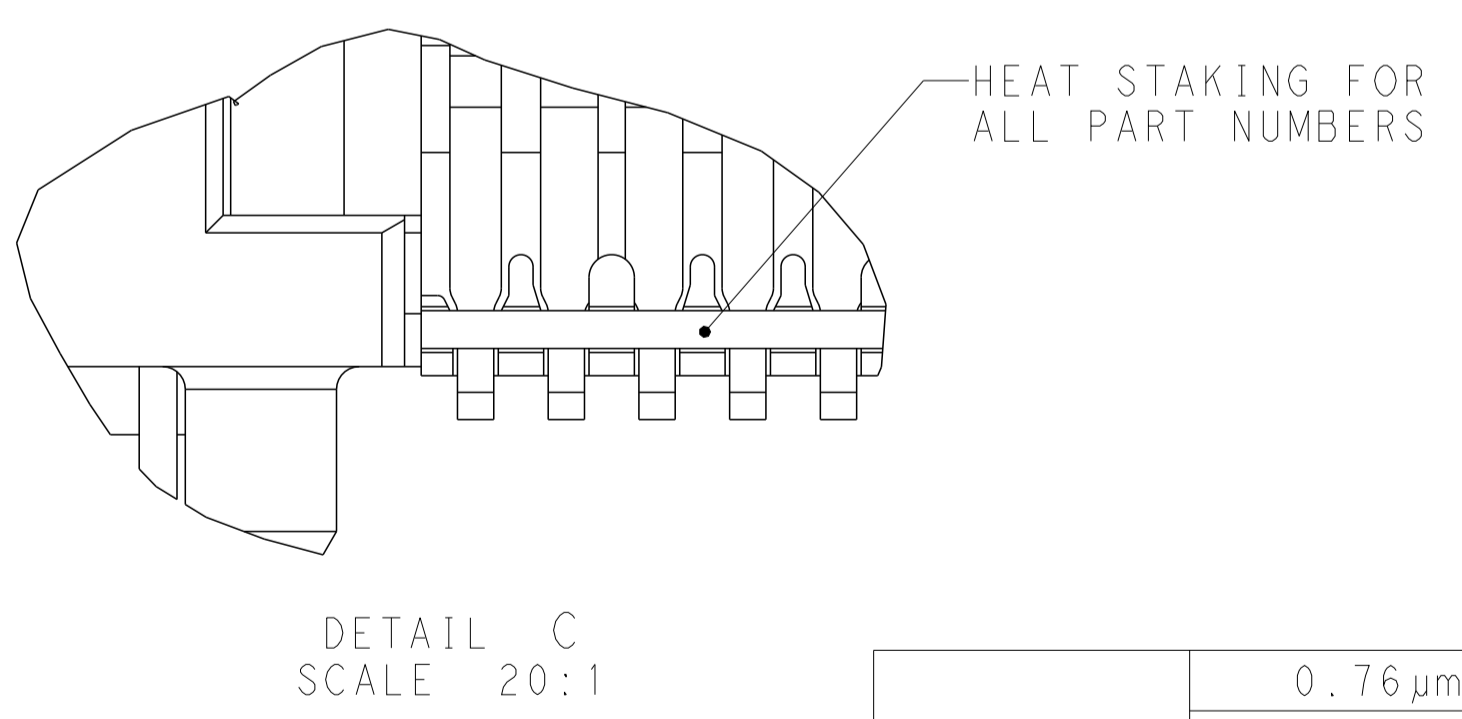
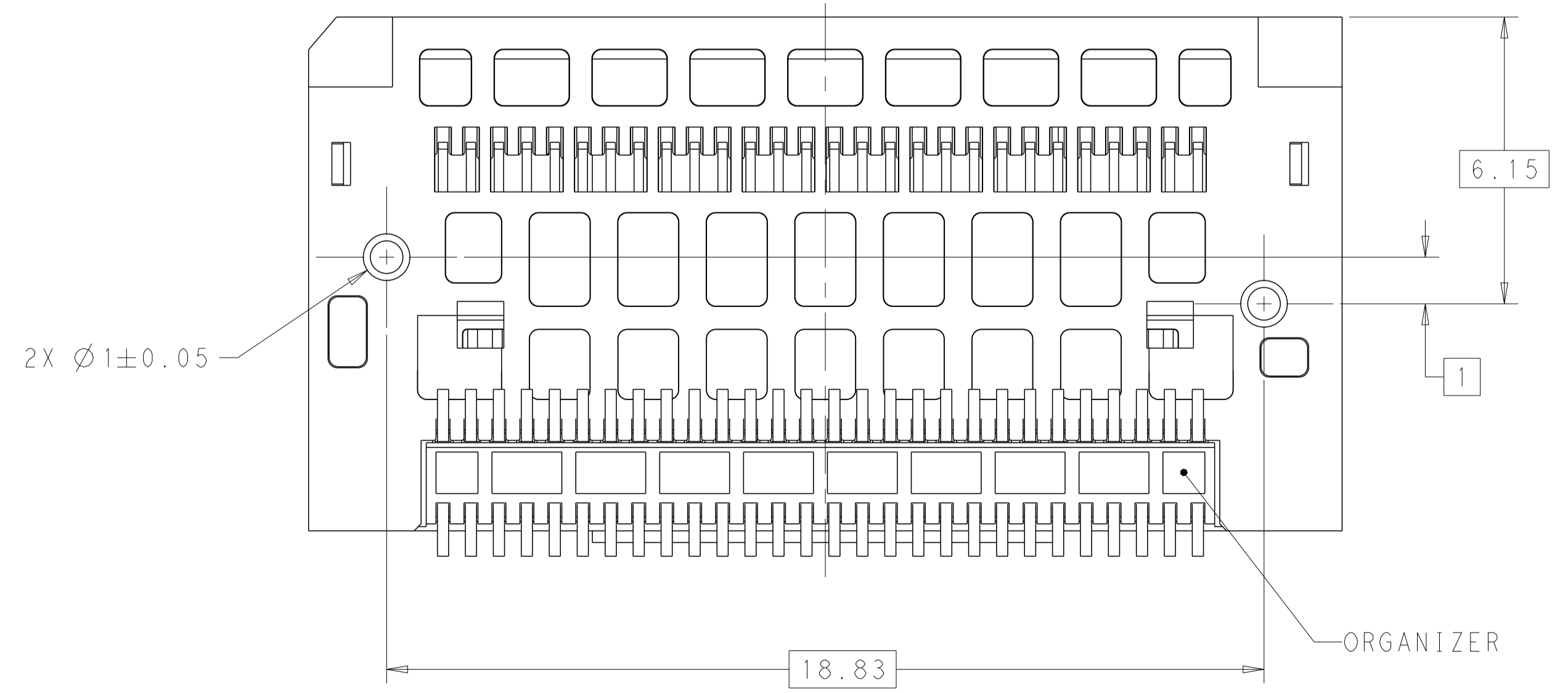
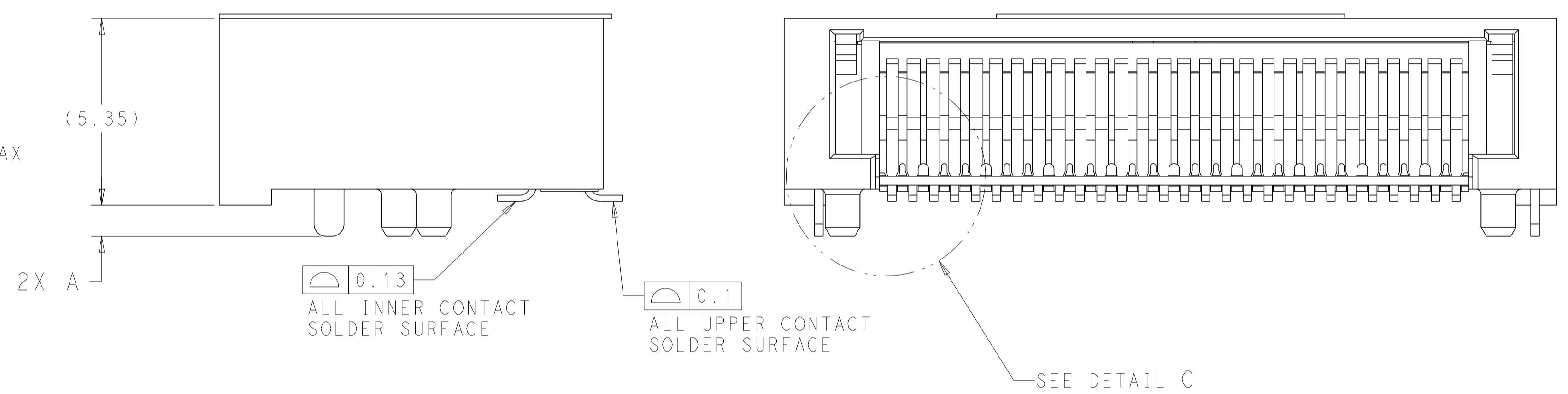
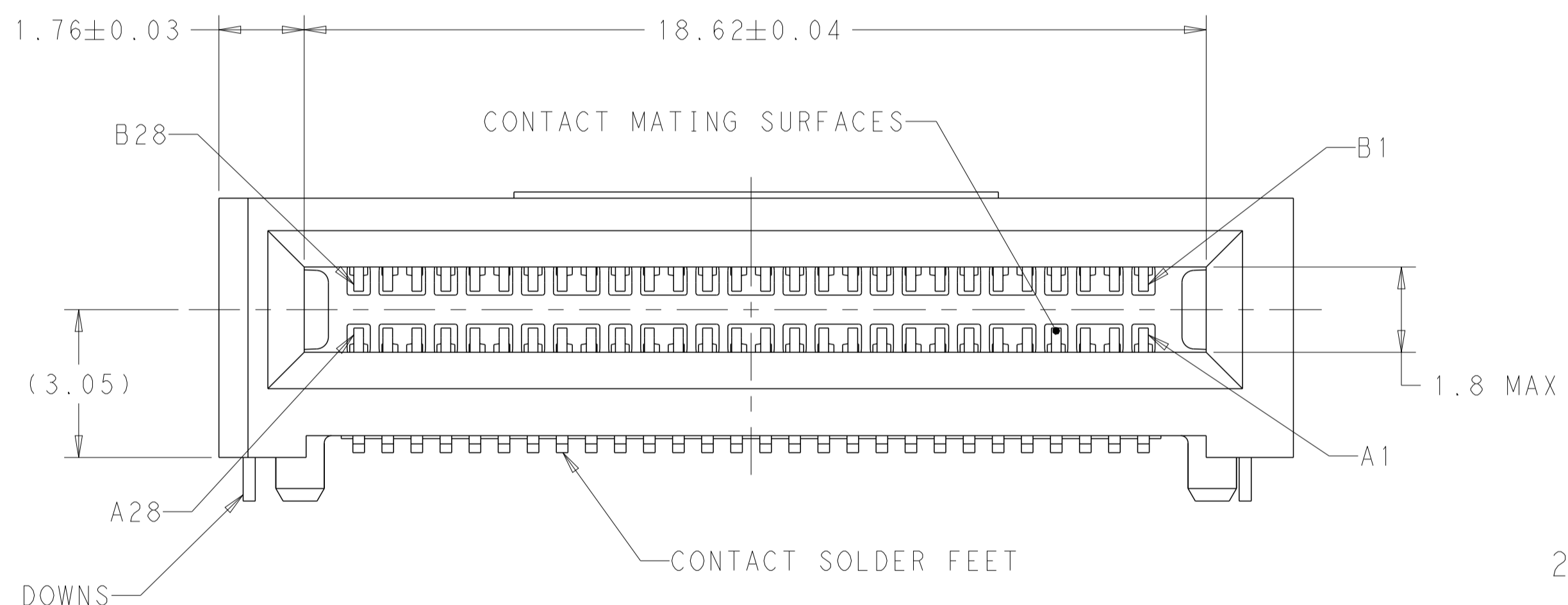


REVISIONS					
P	LTN	DESCRIPTION	DATE	OWN	APVD
B		REVISED PER ECO-19-011736	06AUG2019	AP	JW
C		REVISED PER ECN-21-126523	14MAR2022	TX	DZ
D		REVISED PER ECN-22-152380	13MAY2022	TX	DZ
D1		REVISED PER ECN-24-266777	20MAY2024	TR	JM



- 1 HOUSING, ORGANIZER, CONTACT OVERMOLDS - LCP, UL94-V0, BLACK.
CONTACTS AND HOLD DOWNS - COPPER ALLOY.
PICK AND PLACE TAPE - POLYIMIDE FILM.
- 2 CONTACTS - GOLD PLATE ON MATING SURFACES,
TIN PLATE ON SOLDER FEET.
HOLD DOWNS - TIN PLATE.
- 3 DATUMS AND BASIC DIMENSIONS ESTABLISHED BY CUSTOMER.
- 4. MINIMUM HOST PCB THICKNESS: 1.5.
- 5 SEE MSA SPECIFICATION FOR ADDITIONAL PADDLE CARD LAYOUTS
COMPATIBLE WITH THIS RECEPTACLE AND FOR OPTIONAL SPLIT
CONTACT PAD LAYOUTS FOR THE PADDLE CARD. SPECIFICATION
PINOUT MAY ALSO DESIGNATE PAD SEQUENCE DIFFERENT FROM
ILLUSTRATION.
- 6 POSITIONS DESIGNATED AS "SIGNAL" ARE REQUIRED LOCATIONS FOR
HIGH SPEED DIFFERENTIAL PAIR SIGNALING. THESE LOCATIONS
MAY ALSO BE USED FOR SUPPORTING SIDEBAND SIGNALS OR OTHER
UTILITY PURPOSES. POSITIONS DESIGNATED AS "GROUND" ARE
REQUIRED WHEN SUPPORTING HIGH SPEED DIFFERENTIAL SIGNALS.
THESE LOCATIONS MAY ALSO BE USED FOR SIDEBAND SIGNALS OR
OTHER UTILITY PURPOSES.
- 7 COMPONENT AND TRACE KEEP OUT AREA. EACH EDGE 0.15 MIN FROM
EDGE OF HOLE.
- 8 TAPE AND REEL PACKAGED FOR PICK AND PLACE SMT PROCESSING,
SEE FIGURE 1. POCKET TAPE: WIDTH = 44.



0.9±0.1	0.76µm Au	24	400	NO	200	1-2327672-3
	0.38µm Au				100	1-2327672-2
	FLASH Au/PdNi				50	1-2327672-1
	0.76µm Au				200	2327672-3
	0.38µm Au				100	2327672-2
A	FLASH Au/PdNi	20	500	YES	50	2327672-1
	PLATING				POCKET TAPE PITCH	REEL QUANTITY

THIS DRAWING IS A CONTROLLED DOCUMENT.

OWN: M. SHIRK 22FEB2018
 CHK: D. HARMON 22FEB2018
 APVD: D. HARMON 22FEB2018

TE Connectivity

NAME: RECEPTACLE ASSEMBLY, RIGHT ANGLE,
56 POSITION, SLIVER 2.0

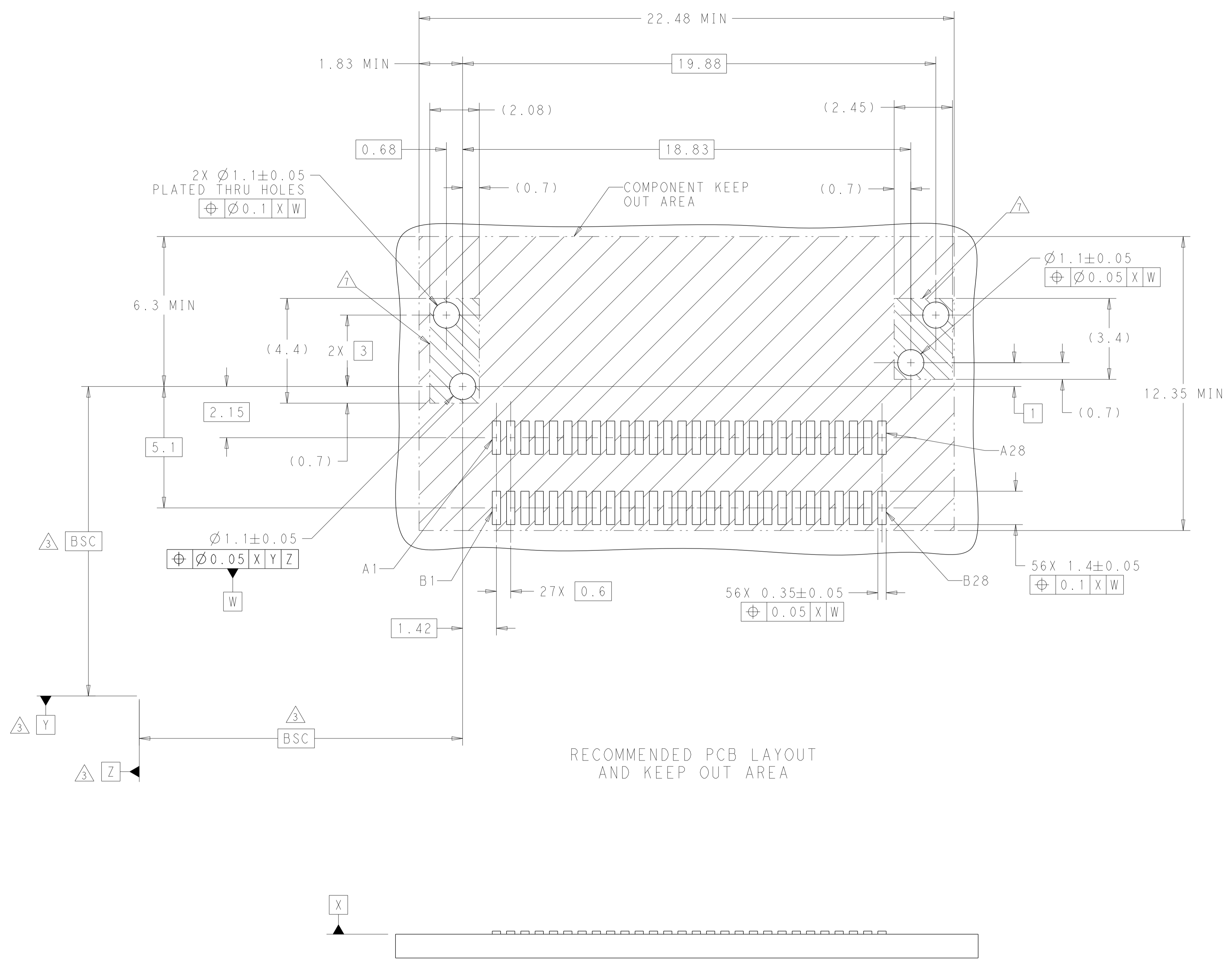
PRODUCT SPEC: 108-130021
 APPLICATION SPEC: 114-130008

SIZE: A1 CAGE CODE: 100779 DRAWING NO: 2327672

RESTRICTED TO: CUSTOMER DRAWING

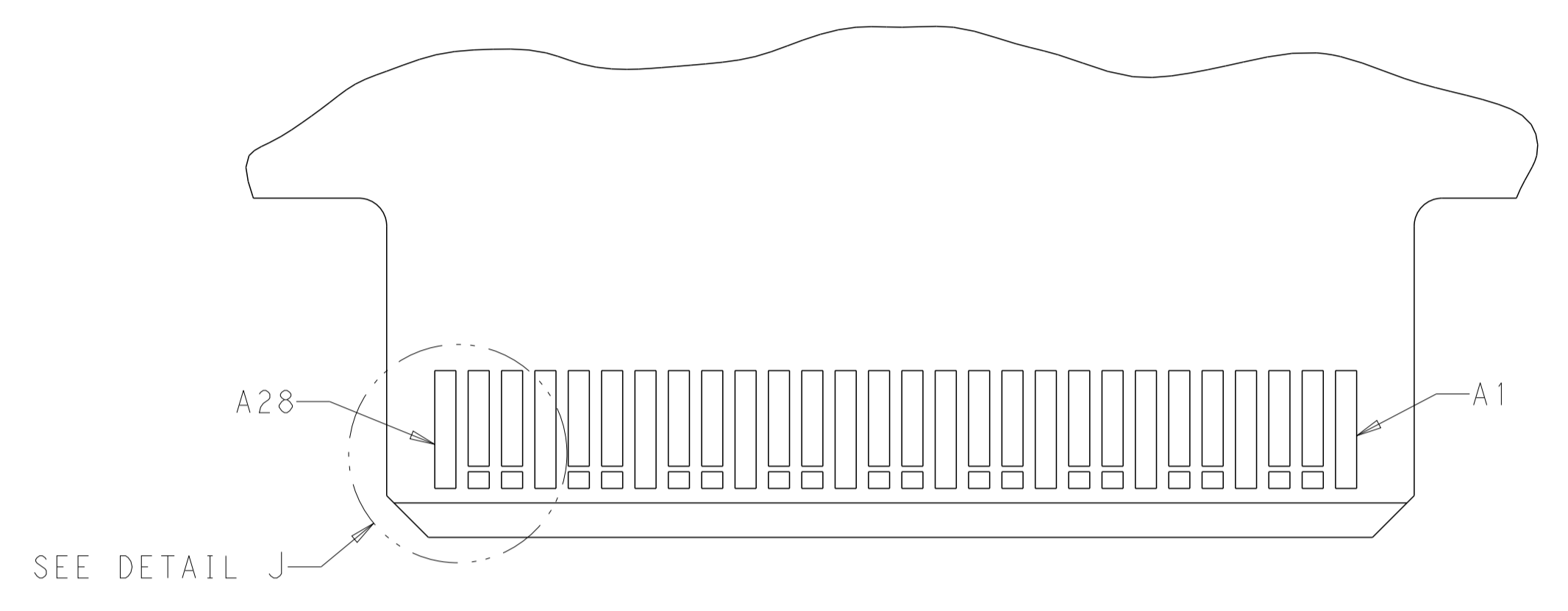
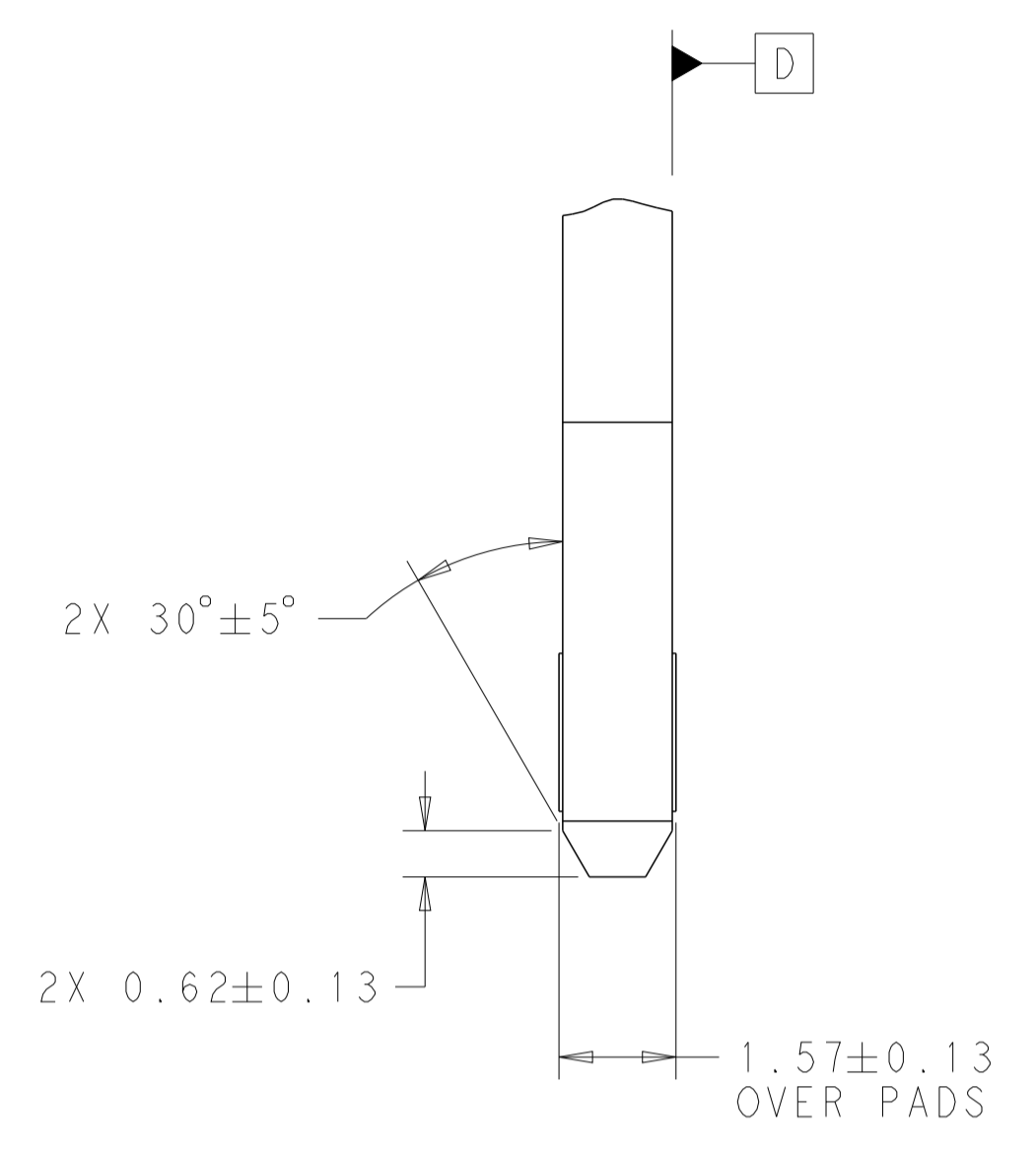
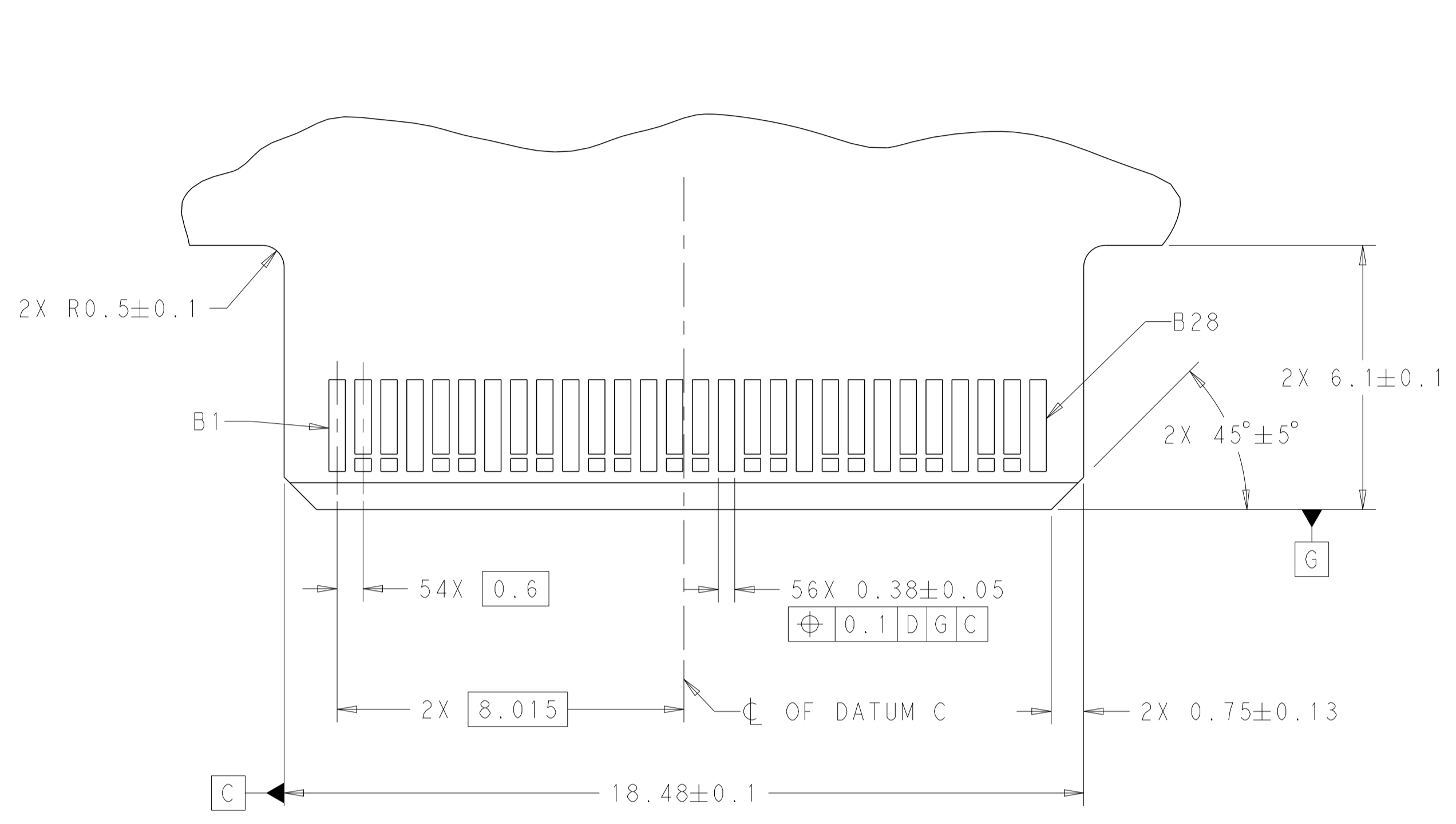
SCALE: 10:1 SHEET: 1 OF 4 REV: D1

REVISIONS				
P	LTN	DESCRIPTION	DATE	APVD
-		SEE SHEET 1	-	-

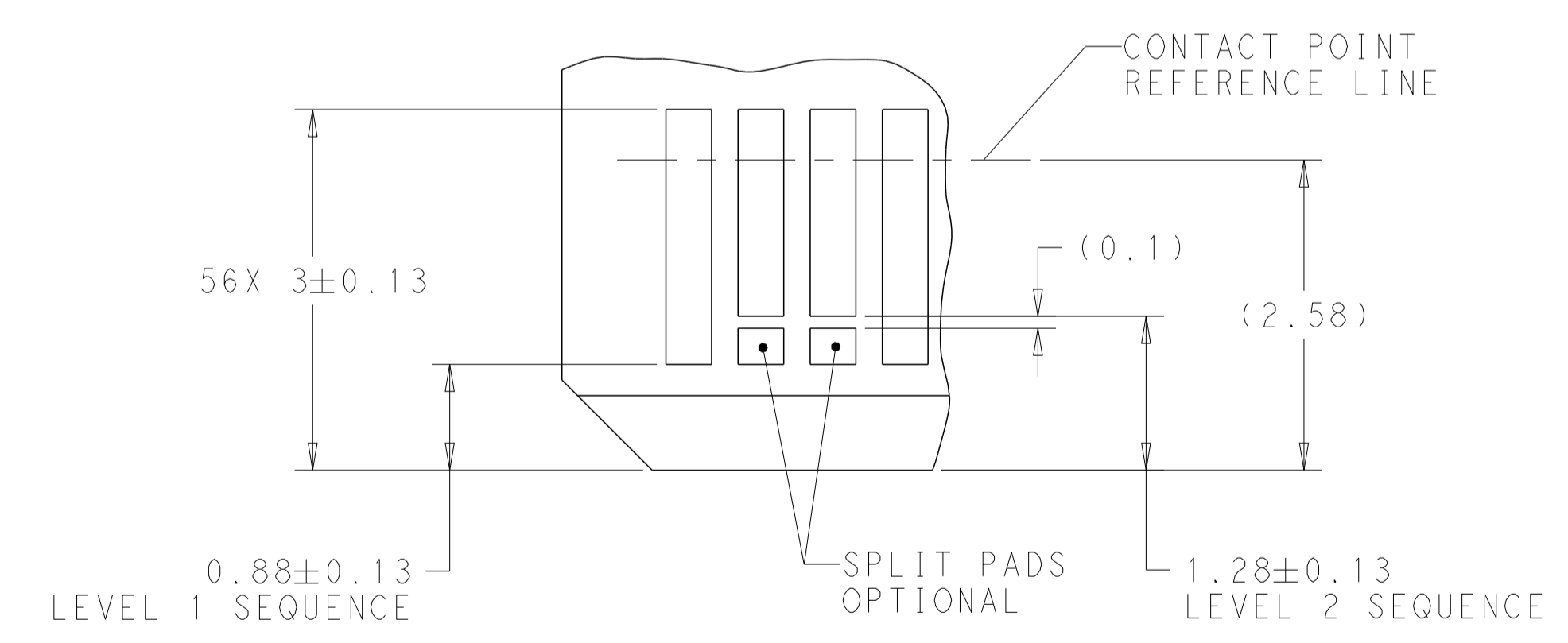


THIS DRAWING IS A CONTROLLED DOCUMENT.		OWN M. SHIRK 22FEB2018	TE Connectivity	
DIMENSIONS: mm		CHK D. HARMON 22FEB2018		
TOLERANCES UNLESS OTHERWISE SPECIFIED: 0 PLC ± 1 PLC ± 2 PLC ± 3 PLC ± 4 PLC ± ANGLES ± FINISH ±		APVD D. HARMON 22FEB2018		
MATERIAL		NAME RECEPTACLE ASSEMBLY, RIGHT ANGLE, 56 POSITION, SLIVER 2.0	PRODUCT SPEC 108-130021	RESTRICTED TO
		APPLICATION SPEC 114-130008	SIZE A1	CAGE CODE 00779
		WEIGHT	DRAWING NO C=2327672	REV D1
		CUSTOMER DRAWING	SCALE 10:1	SHEET 2 OF 4

REVISIONS				
P	LTN	DESCRIPTION	DATE	APVD
-	-	SEE SHEET 1	-	-



RECOMMENDED PCB OUTLINE DIMENSIONS:
 TOLERANCE VALUES ARE CRITICAL. PLEASE BE SURE TO DESIGNATE
 TOLERANCES TO PCB SUPPLIER TO ENSURE OPTIMIZED FUNCTIONALITY.



DETAIL J
 SCALE 20:1

THIS DRAWING IS A CONTROLLED DOCUMENT.		OWN M. SHIRK 22FEB2018	TE Connectivity
DIMENSIONS: mm		CHK D. HARMON 22FEB2018	
TOLERANCES UNLESS OTHERWISE SPECIFIED:		APVD D. HARMON 22FEB2018	NAME RECEPTACLE ASSEMBLY, RIGHT ANGLE, 56 POSITION, SLIVER 2.0
0 PLC ±	1 PLC ±	PRODUCT SPEC	SIZE
2 PLC ±	3 PLC ±	108-130021	CAGE CODE
4 PLC ±	ANGLES ±	APPLICATION SPEC	DRAWING NO
MATERIAL	FINISH	114-130008	RESTRICTED TO
WEIGHT		A100779	SCALE 10:1
CUSTOMER DRAWING		C=2327672	SHEET 3 OF 4
			REV D1

REVISIONS				
P.	LTN	DESCRIPTION	DATE	APVD
-	-	SEE SHEET 1	-	-

TABLE 1: CONNECTOR CONTACT IDENTIFICATION \triangle \triangle

CONTACT NUMBER	SIDE A	SIDE B
1	GROUND	GROUND
2	SIGNAL	SIGNAL
3	SIGNAL	SIGNAL
4	GROUND	GROUND
5	SIGNAL	SIGNAL
6	SIGNAL	SIGNAL
7	GROUND	GROUND
8	SIGNAL	SIGNAL
9	SIGNAL	SIGNAL
10	GROUND	GROUND
11	SIGNAL	SIGNAL
12	SIGNAL	SIGNAL
13	GROUND	GROUND
14	SIGNAL	SIGNAL
15	SIGNAL	SIGNAL
16	GROUND	GROUND
17	SIGNAL	SIGNAL
18	SIGNAL	SIGNAL
19	GROUND	GROUND
20	SIGNAL	SIGNAL
21	SIGNAL	SIGNAL
22	GROUND	GROUND
23	SIGNAL	SIGNAL
24	SIGNAL	SIGNAL
25	GROUND	GROUND
26	SIGNAL	SIGNAL
27	SIGNAL	SIGNAL
28	GROUND	GROUND

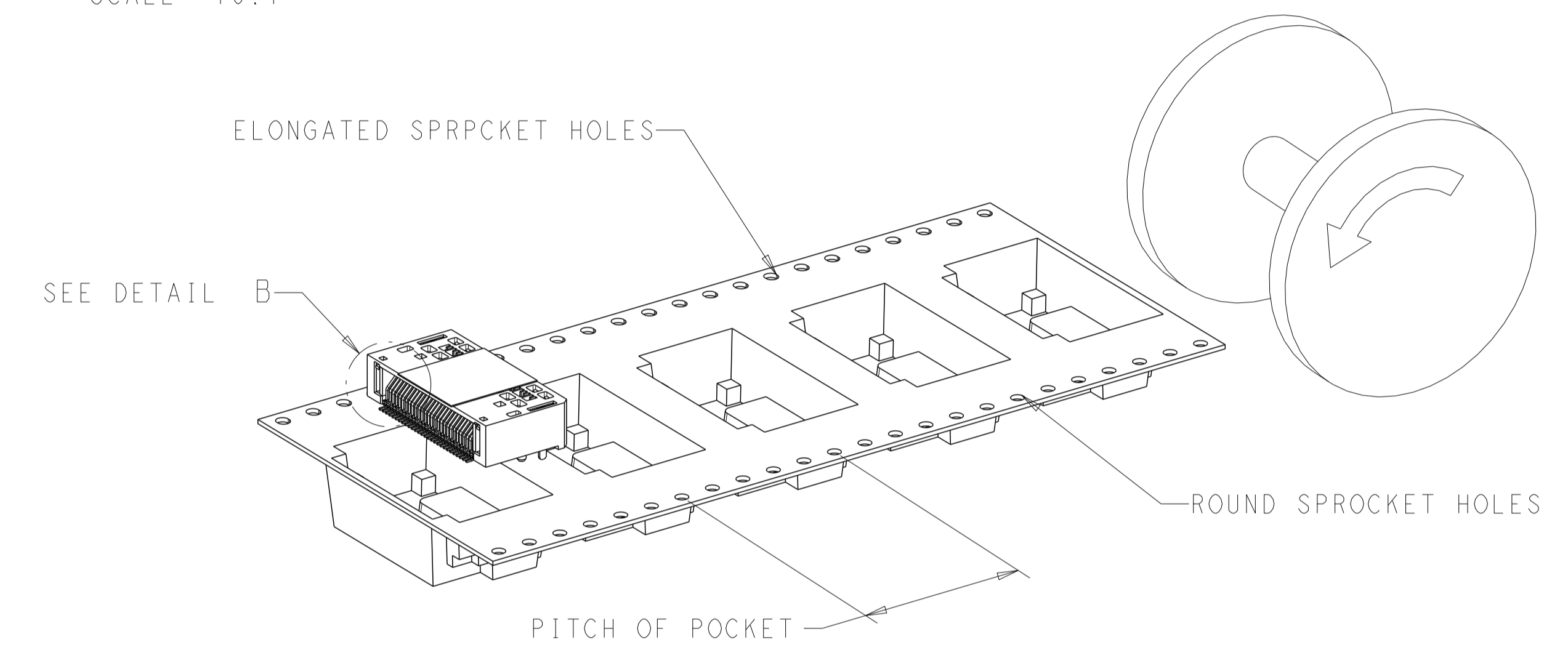
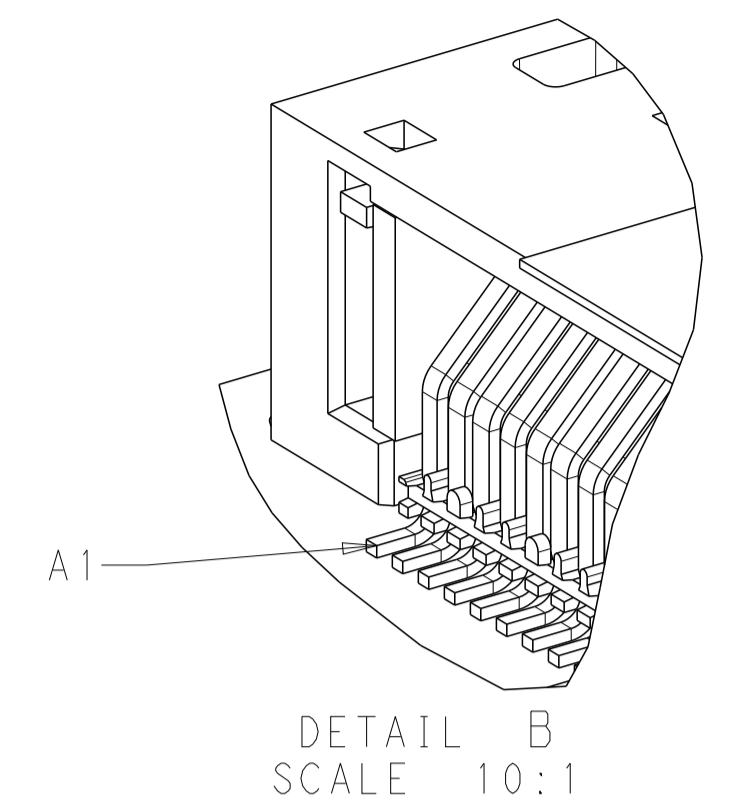


FIGURE 1 \triangle \triangle
DIRECTION OFF TOP OF REEL
FOR USER UNREELING
SHOWN AS 2327672-1, 2327672-2 OR 2327672-3
SCALE 2:1

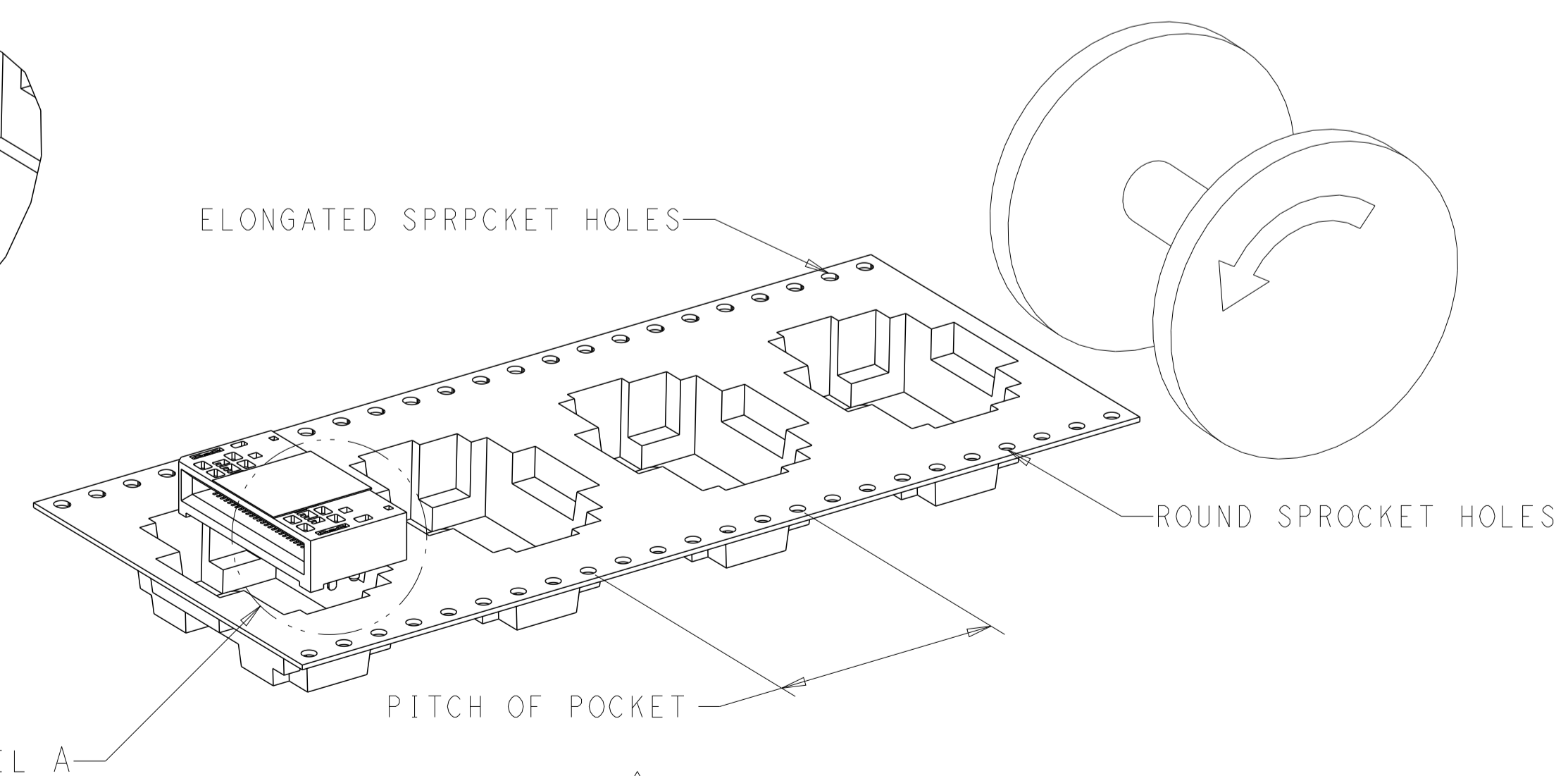
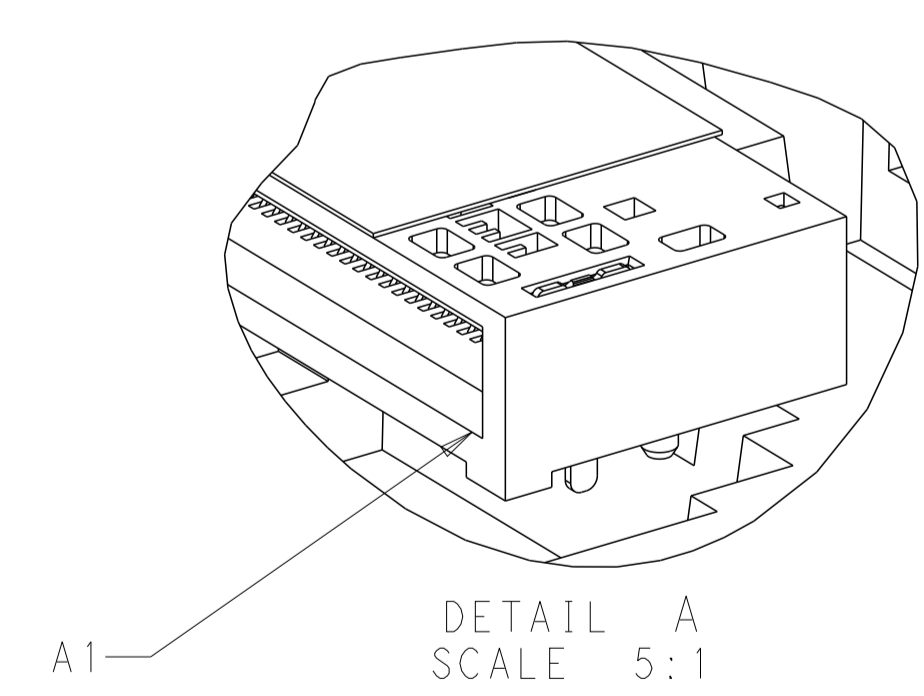



FIGURE 2 \triangle \triangle
DIRECTION OFF TOP OF REEL
FOR USER UNREELING
SHOWN AS 1-2327672-1, 1-2327672-2 OR 1-2327672-3
SCALE 2:1

THIS DRAWING IS A CONTROLLED DOCUMENT.		OWN: M. SHIRK 22FEB2018	 TE Connectivity
DIMENSIONS: mm		CHK: D. HARMON 22FEB2018	
TOLERANCES UNLESS OTHERWISE SPECIFIED:		APVD: D. HARMON 22FEB2018	NAME: RECEPTACLE ASSEMBLY, RIGHT ANGLE, 56 POSITION, SLIVER 2.0
0 PLC	±	PRODUCT SPEC	SIZE: 108-130021
1 PLC	±	APPLICATION SPEC	CAGE CODE: 114-130008
2 PLC	±	WEIGHT	RESTRICTED TO: A100779
3 PLC	±	MATERIAL	SCALE: 10:1
4 PLC	±	FINISH	SHEET 4 OF 4
ANGLES	±	CUSTOMER DRAWING	REV: D1