

THIS DRAWING IS UNPUBLISHED.

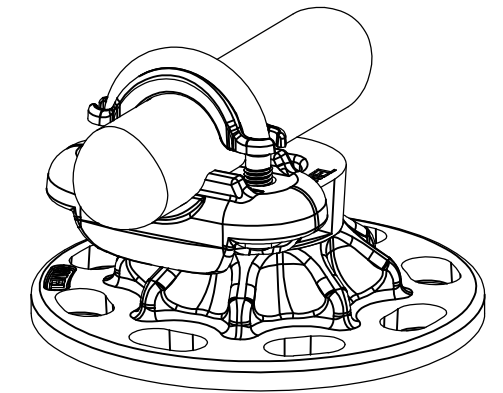
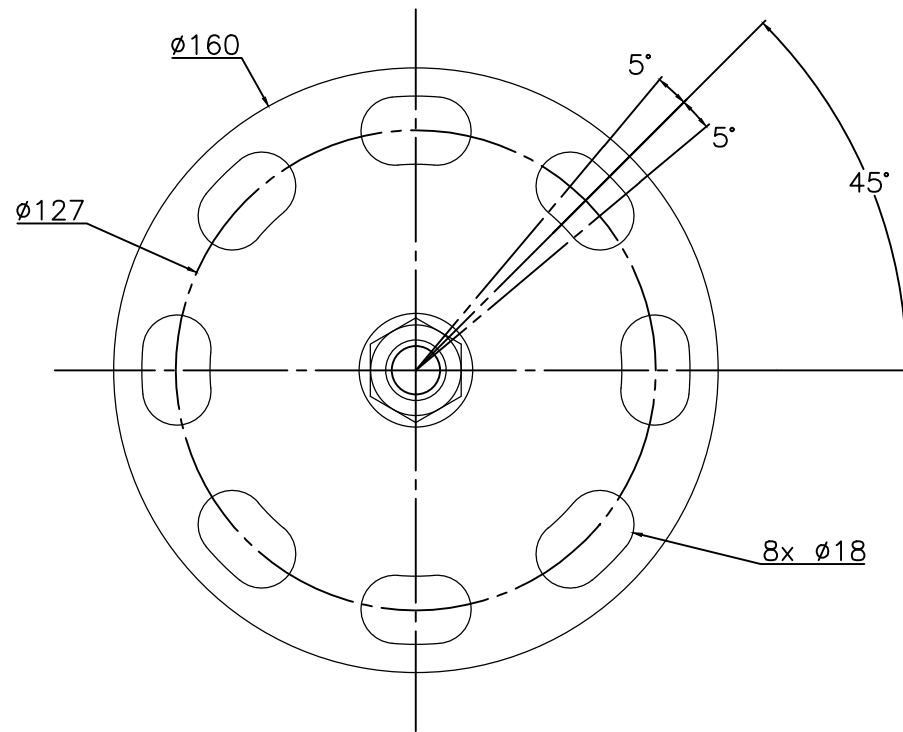
RELEASED FOR PUBLICATION

ALL RIGHTS RESERVED.

© COPYRIGHT - By -

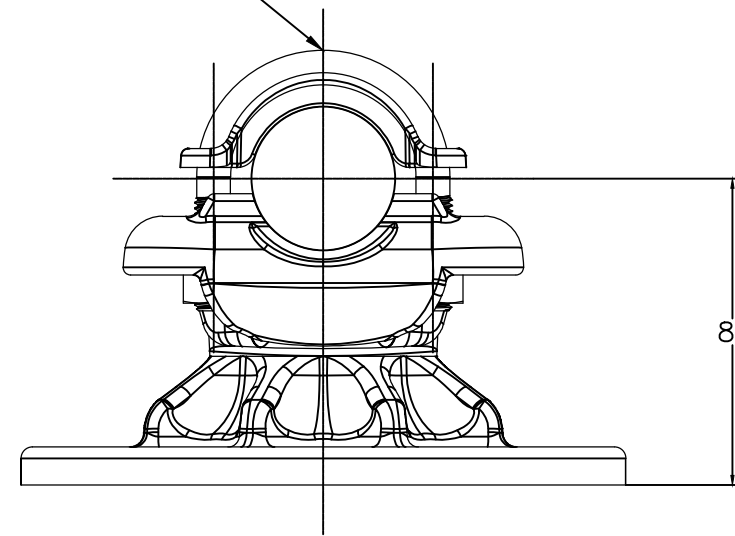
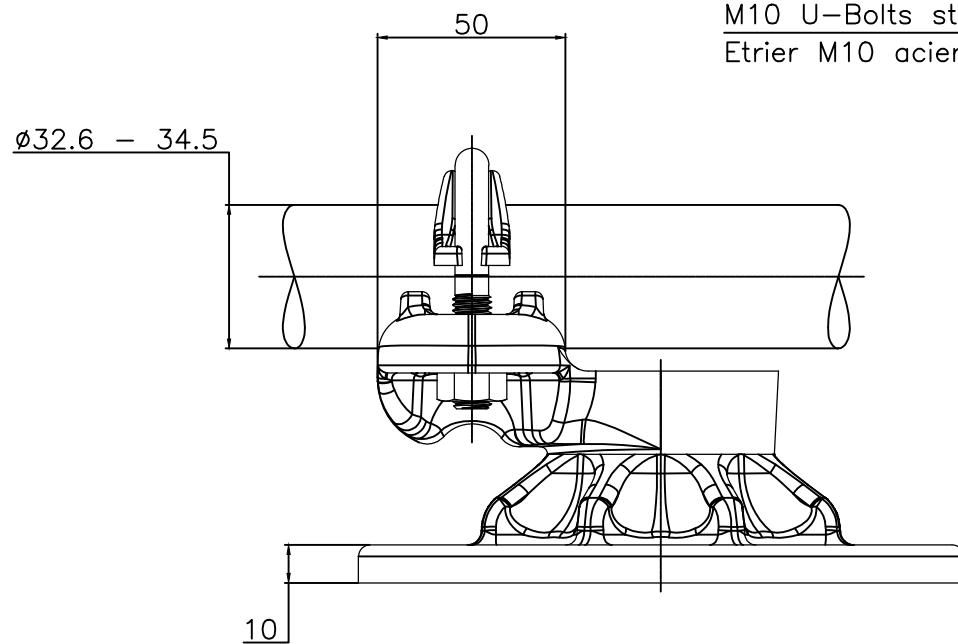
REVISIONS

P	LTR	DESCRIPTION	DATE	DWN	APVD
	A	CREATION	19-OCT-17	GL	-



No scale - sans echelle

M10 U-Bolts stainless steel A4: 37Nm
 Etrier M10 acier inoxydable A4: 37Nm



ITEM:.....

THIS DRAWING IS A CONTROLLED DOCUMENT.		DWN	19-OCT-17		 TE Connectivity	NAME Single conductor support on BPI Support de câble sur ISO 5 CS 84 P5 M345											
DIMENSIONS: mm		CHK	-														
TOLERANCES UNLESS OTHERWISE SPECIFIED:		APVD	-														
0 PLC ± - 1 PLC ± - 2 PLC ± - 3 PLC ± - 4 PLC ± - ANGLES ± -		PRODUCT SPEC	108-69096-001														
MATERIAL		FINISH	-		APPROX.WEIGHT	1.2 kg	SIZE	A3	CAGE CODE	-	DRAWING NO	©=2326839	RESTRICTED TO	-			
CUSTOMER DRAWING												SCALE	1/2	SHEET	1 OF 1	REV	A