

THIS DRAWING IS UNPUBLISHED.

RELEASED FOR PUBLICATION

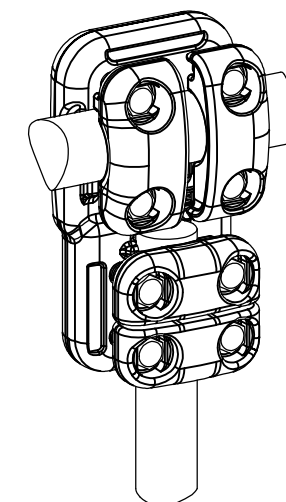
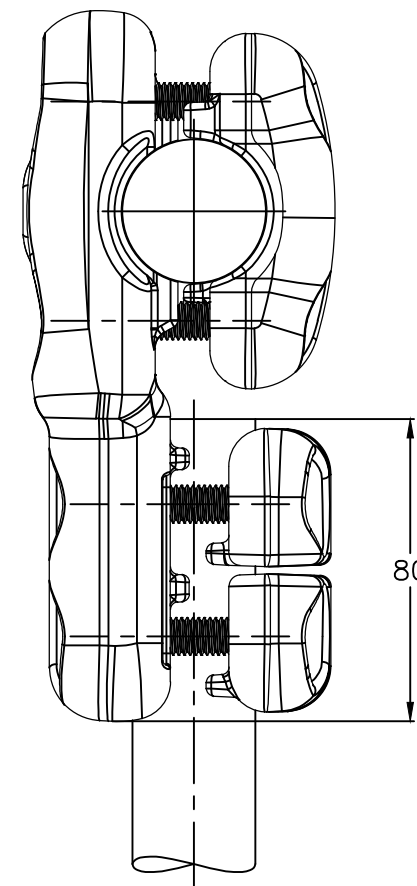
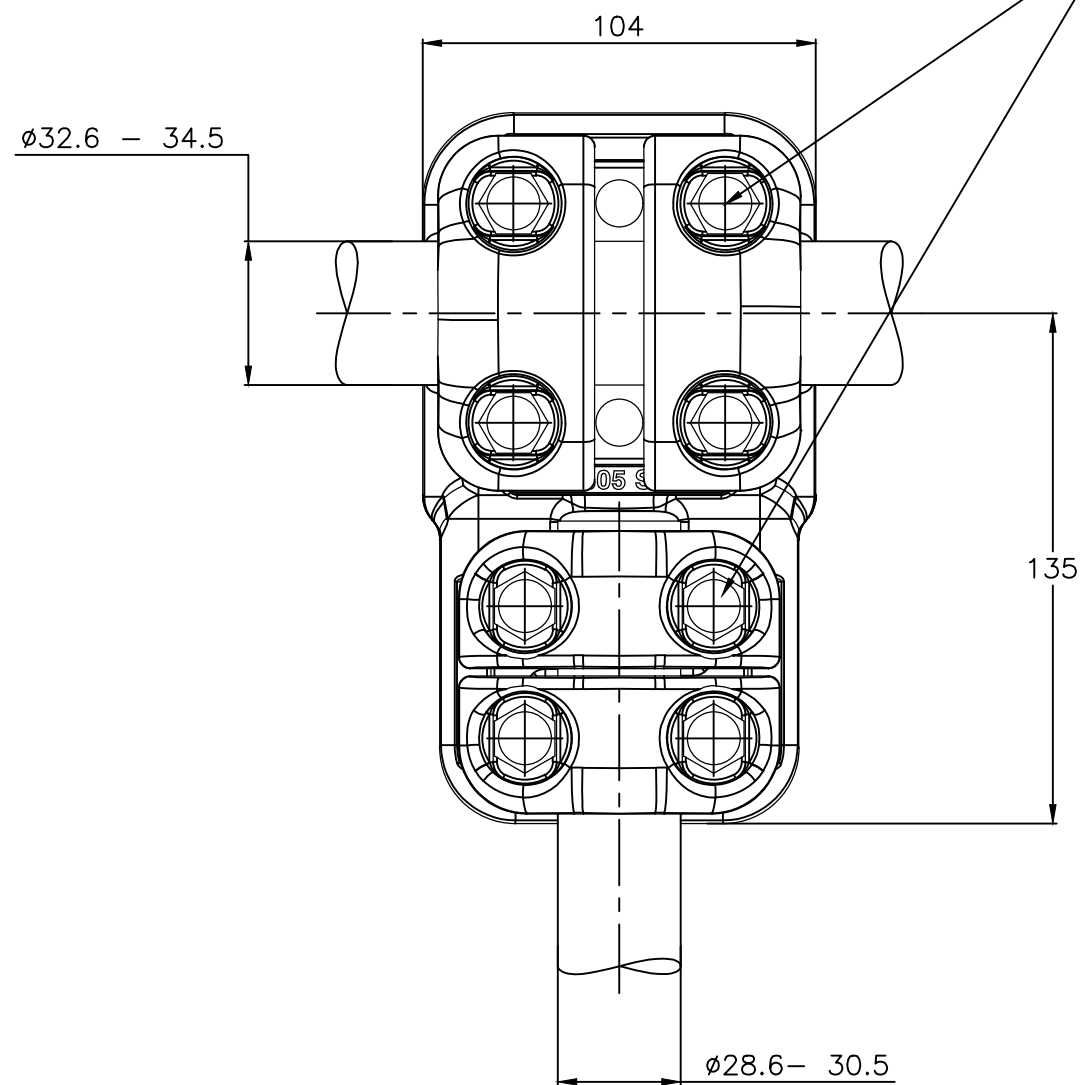
© COPYRIGHT - By -

ALL RIGHTS RESERVED.

REVISIONS


P	LTR	DESCRIPTION	DATE	DWN	APVD
	A	CREATION	12-OCT-17	GL	-

M10 Bolts stainless steel A2: 37Nm
Boulons M10 acier inoxydable A2: 37Nm



No scale
Sans échelle

ITEM:.....

THIS DRAWING IS A CONTROLLED DOCUMENT.		DWN	12-OCT-17		 TE Connectivity											
DIMENSIONS: mm		CHK	-													
TOLERANCES UNLESS OTHERWISE SPECIFIED:		APVD	-													
<table border="0"> <tr><td>0 PLC</td><td>± -</td></tr> <tr><td>1 PLC</td><td>± -</td></tr> <tr><td>2 PLC</td><td>± -</td></tr> <tr><td>3 PLC</td><td>± -</td></tr> <tr><td>4 PLC</td><td>± -</td></tr> <tr><td>ANGLES</td><td>± -</td></tr> </table>		0 PLC	± -	1 PLC		± -	2 PLC	± -	3 PLC	± -	4 PLC	± -	ANGLES	± -	PRODUCT SPEC	108-69096-001
0 PLC	± -															
1 PLC	± -															
2 PLC	± -															
3 PLC	± -															
4 PLC	± -															
ANGLES	± -															
MATERIAL		FINISH	-		NAME	TEE CONNECTOR RACCORD EN TE 5 CT 82 M345 S305										
-		-		APPROX.WEIGHT	1.89 kg	SIZE	A3	CAGE CODE	00779	DRAWING NO	C=2326624	RESTRICTED TO	-			
CUSTOMER DRAWING				SCALE	1:2	SHEET	1 OF 1		REV	A						