

THIS DRAWING IS UNPUBLISHED.

RELEASED FOR PUBLICATION

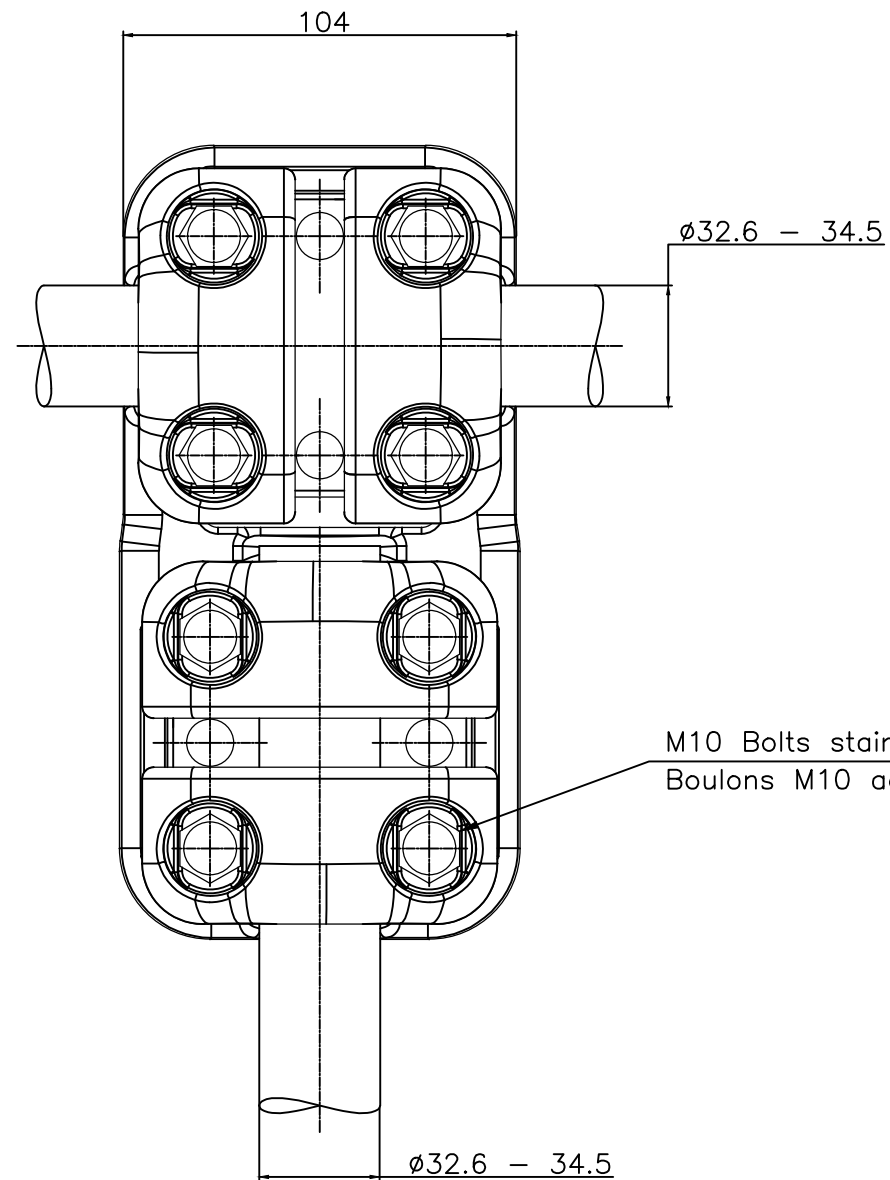
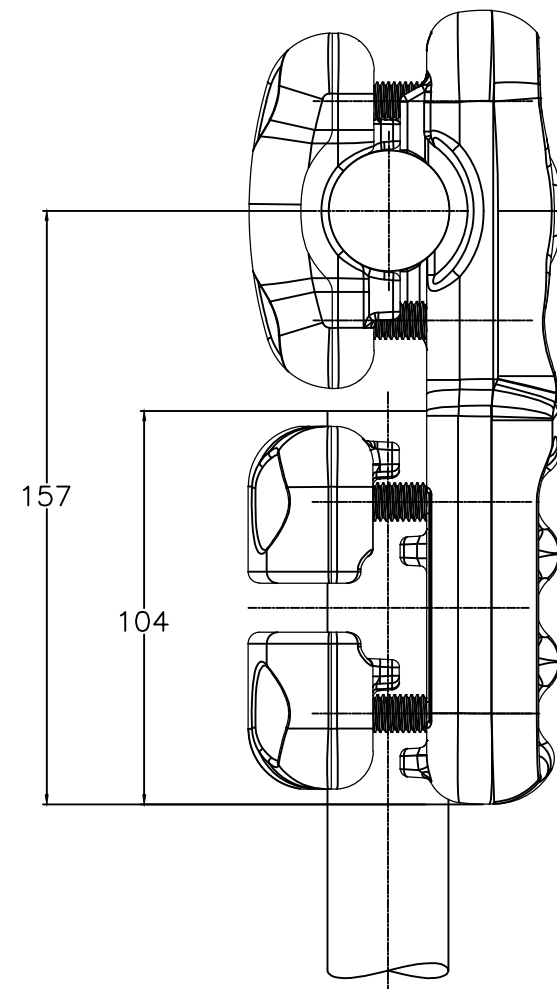
-. -. .

REVISIONS

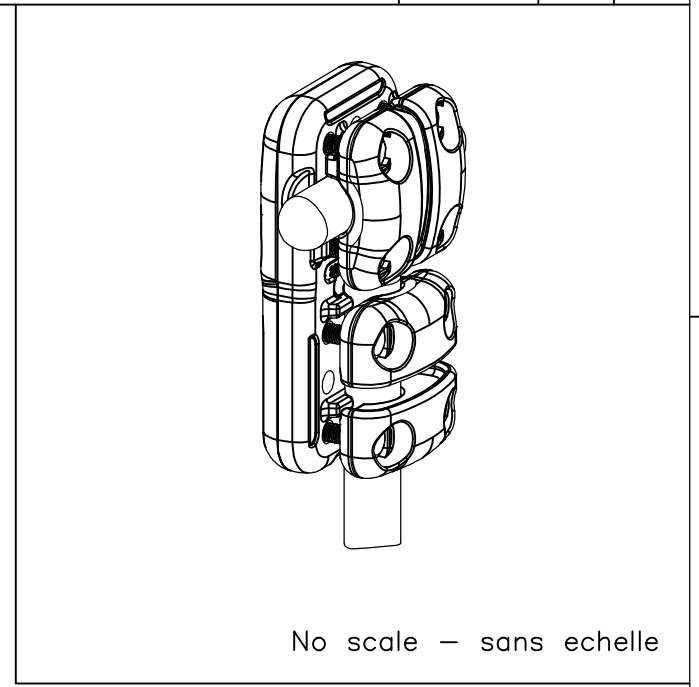
© COPYRIGHT - By -

ALL RIGHTS RESERVED.

P	LTR	DESCRIPTION	DATE	DWN	APVD
	A	CREATION	10-OCT-17	GL	-



M10 Bolts stainless steel A2: 37Nm
 Boulons M10 acier inoxydable A2: 37Nm



No scale - sans echelle

ITEM:.....

THIS DRAWING IS A CONTROLLED DOCUMENT.		DWN LAFORGE	10-OCT-17	STE TE Connectivity	
DIMENSIONS: mm		CHK	-		
TOLERANCES UNLESS OTHERWISE SPECIFIED:		APVD	-	NAME Tee connector Connecteur en T	
0 PLC ± -		PRODUCT SPEC	-	5 CT 82 M345	
1 PLC ± -		APPLICATION SPEC	108-69096-001	SIZE	A3
2 PLC ± -				CAGE CODE	00779
3 PLC ± -				DRAWING NO	C=2325947
4 PLC ± -				APPROX.WEIGHT	2.1 kg
ANGLES ± -				CUSTOMER DRAWING	SCALE 1/2
FINISH					SHEET 1 OF 1
MATERIAL					REV A
					RESTRICTED TO