

THIS DRAWING IS UNPUBLISHED.

RELEASED FOR PUBLICATION

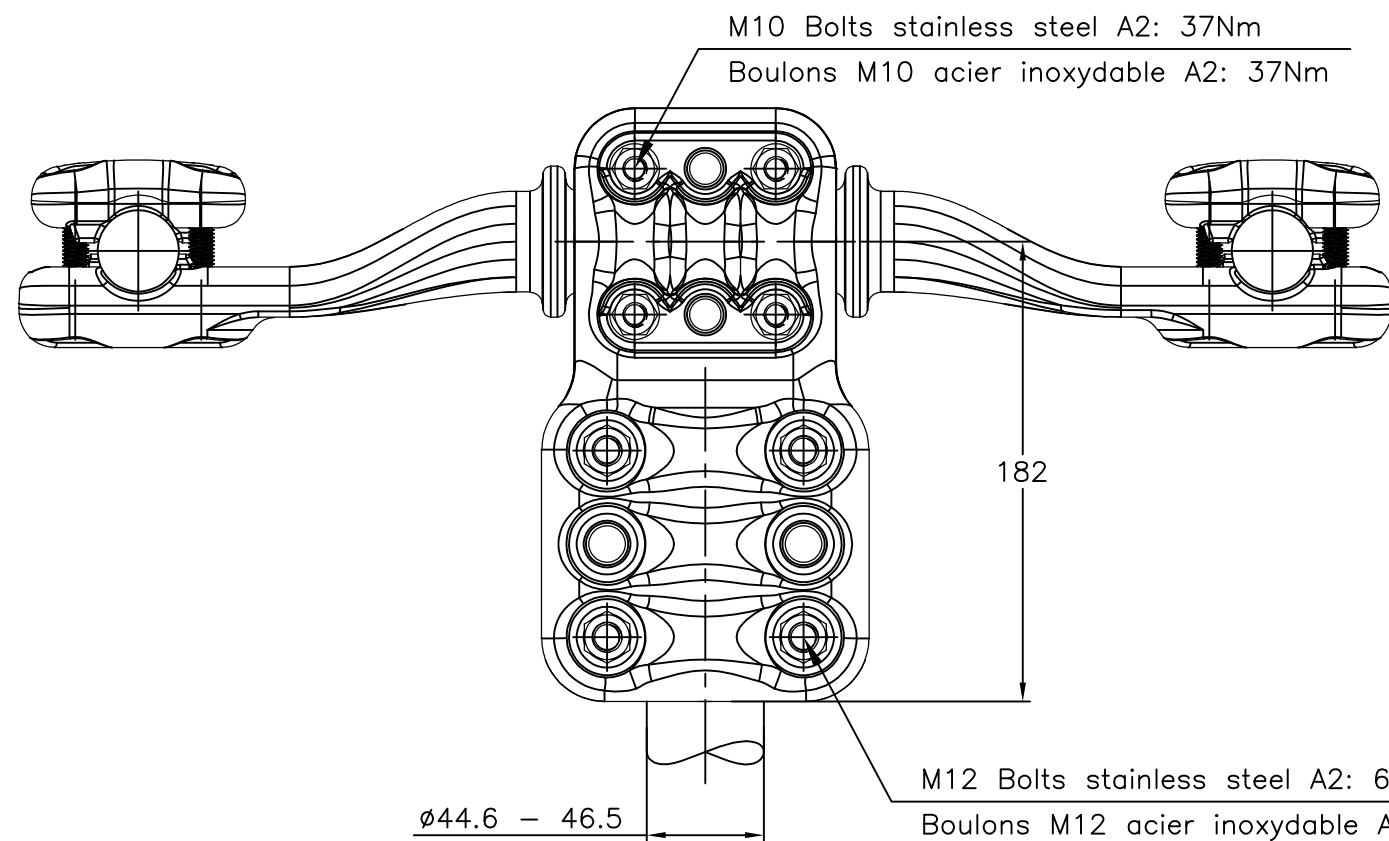
-. - .

REVISIONS

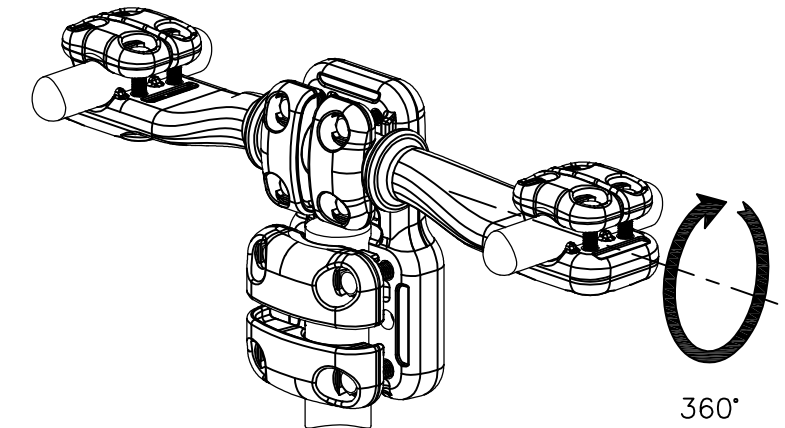
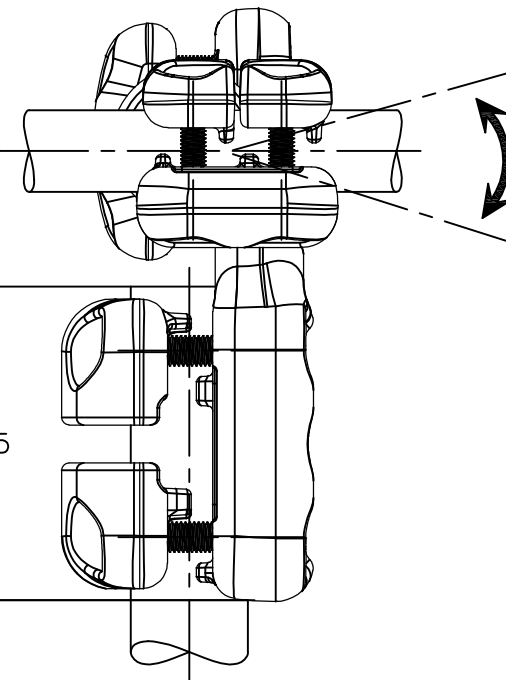
© COPYRIGHT - By -

ALL RIGHTS RESERVED.

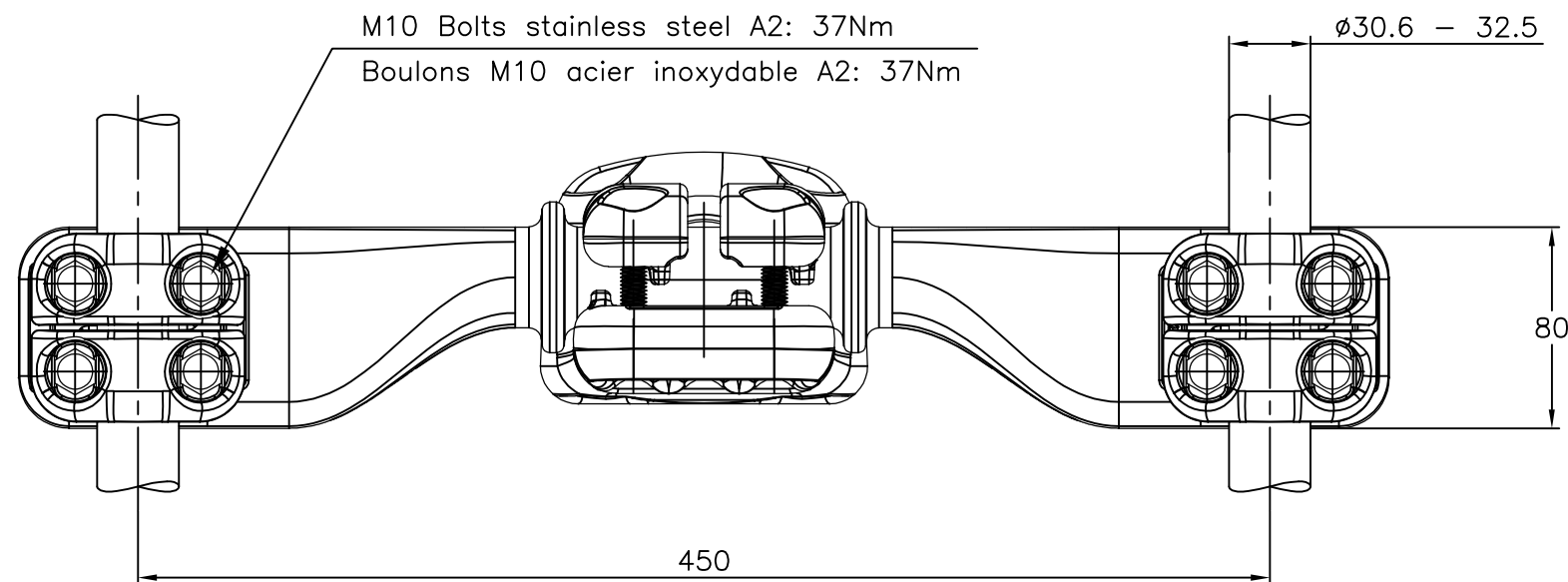
| P | LTR | DESCRIPTION | DATE | DWN | APVD |
|---|-----|-------------|-----------|-----|------|
| | A | CREATION | 21-SEP-17 | GL | - |



Adjusted on site
Ajusté sur site



No scale
Sans échelle

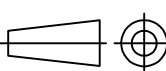


THIS DRAWING IS A CONTROLLED DOCUMENT.

DWN LAFORGE 21-SEP-17

DIMENSIONS:
mm

TOLERANCES UNLESS OTHERWISE SPECIFIED:



- 0 PLC ± -
- 1 PLC ± -
- 2 PLC ± -
- 3 PLC ± -
- 4 PLC ± -
- ANGLES ± -
- FINISH -

MATERIAL -

CHK -

APVD -

PRODUCT SPEC

108-69096-001

APPLICATION SPEC

-

APPROX.WEIGHT 6.02 kg

CUSTOMER DRAWING



NAME
ADJUSTABLE CONNECTOR
RACCORD AJUSTABLE
5 CA 82 F S325 E450 L465

| SIZE | CAGE CODE | DRAWING NO | RESTRICTED TO |
|------|-----------|------------|---------------|
| A3 | 00779 | C=2325256 | - |

SCALE 1:3 SHEET 1 OF 1 REV A

ITEM:.....