

THIS DRAWING IS UNPUBLISHED.

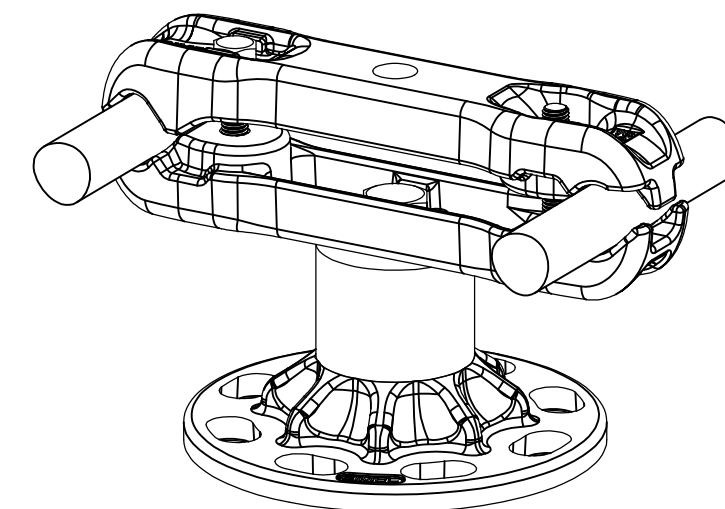
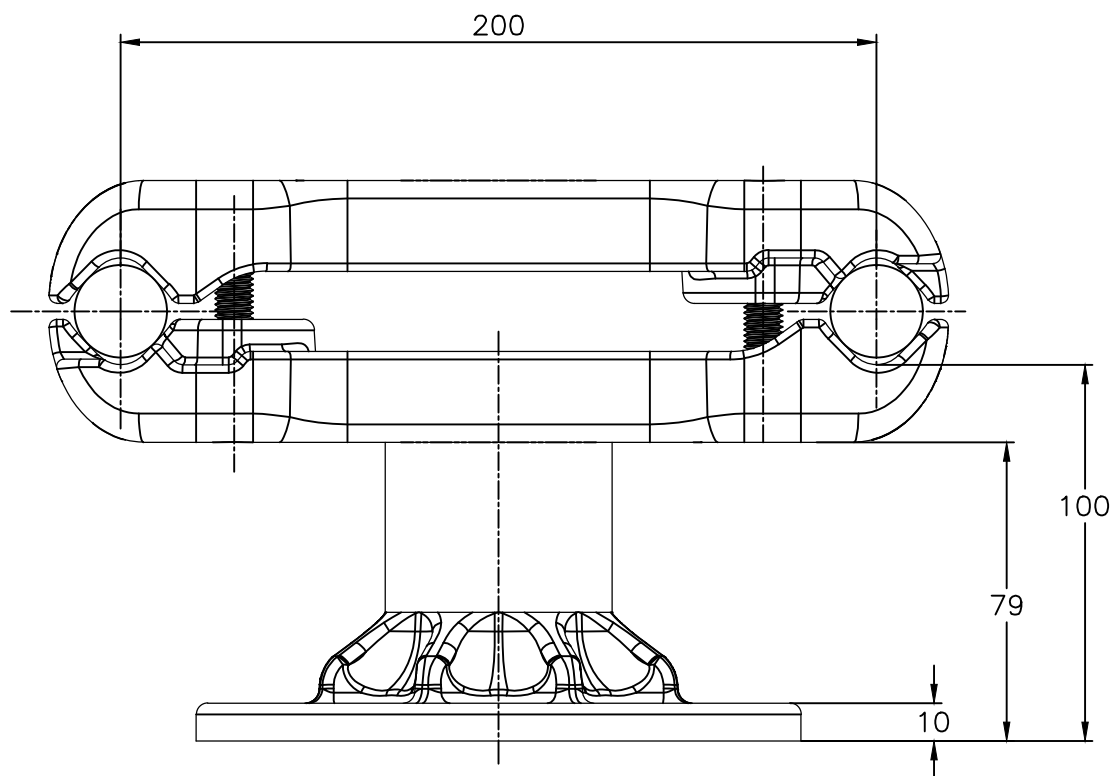
RELEASED FOR PUBLICATION

© COPYRIGHT - By -

ALL RIGHTS RESERVED.

REVISIONS

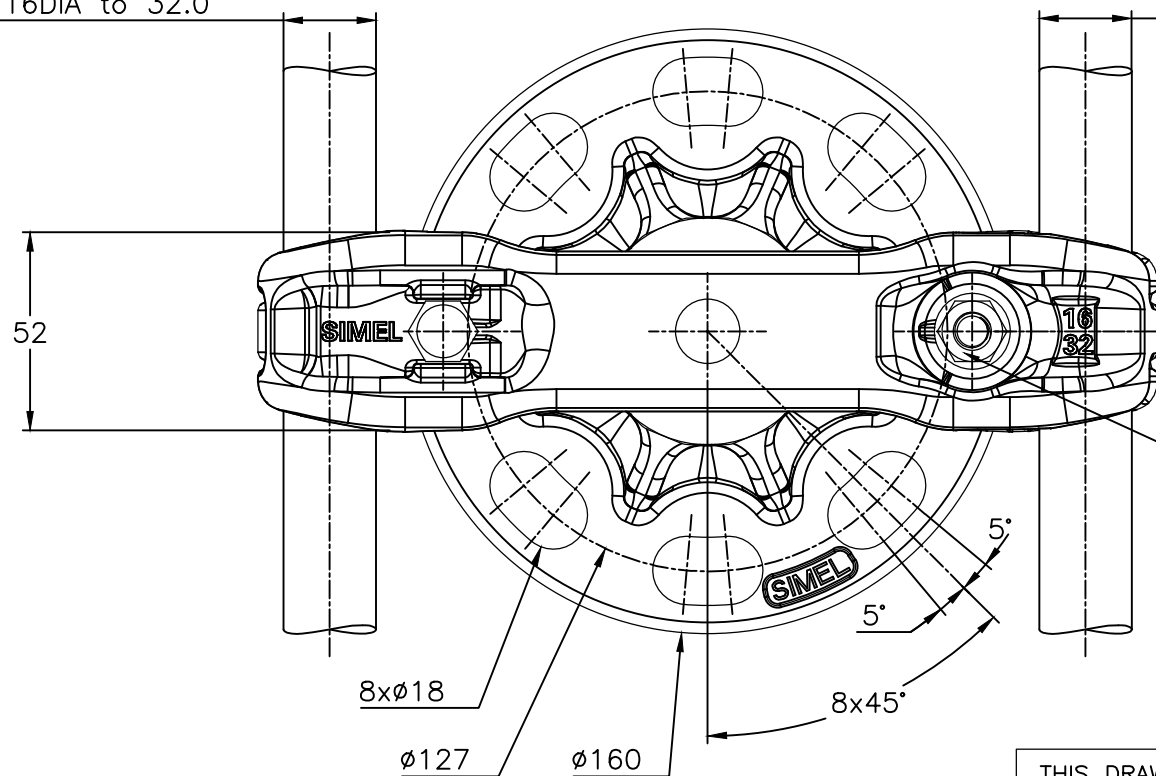
P	LTR	DESCRIPTION	DATE	DWN	APVD
	A	CREATION	06-SEP-17	JG	-



No scale
Sans échelle

Cable ø16.0 à 32.0
Cable 16DIA to 32.0

Cable ø16.0 à 32.0
Cable 16DIA to 32.0



M10 Stainless steel bolts A2: 37 Nm
Boulons M10 acier inoxydable A2: 37 Nm

ITEM:.....

THIS DRAWING IS A CONTROLLED DOCUMENT.

DWN GODARD 06-Sep-17

CHK -

APVD -

PRODUCT SPEC

108-69096-001

APPLICATION SPEC

APPROX.WEIGHT 2.0 kg

CUSTOMER DRAWING

DIMENSIONS:		TOLERANCES UNLESS OTHERWISE SPECIFIED:	
mm			
	0 PLC	±	-
	1 PLC	±	-
	2 PLC	±	-
	3 PLC	±	-
	4 PLC	±	-
	ANGLES	±	-
MATERIAL	FINISH		



NAME TWIN BUNDLE SPACER ON BPI
ENTRETOISE POUR FAISCEAU DOUBLE SUR ISO

5 CAE 82 P5 S160/S320 E200

SIZE	CAGE CODE	DRAWING NO	RESTRICTED TO
A3	00779	©=2324715	-

SCALE	SHEET	REV
1:2	1 OF 1	A