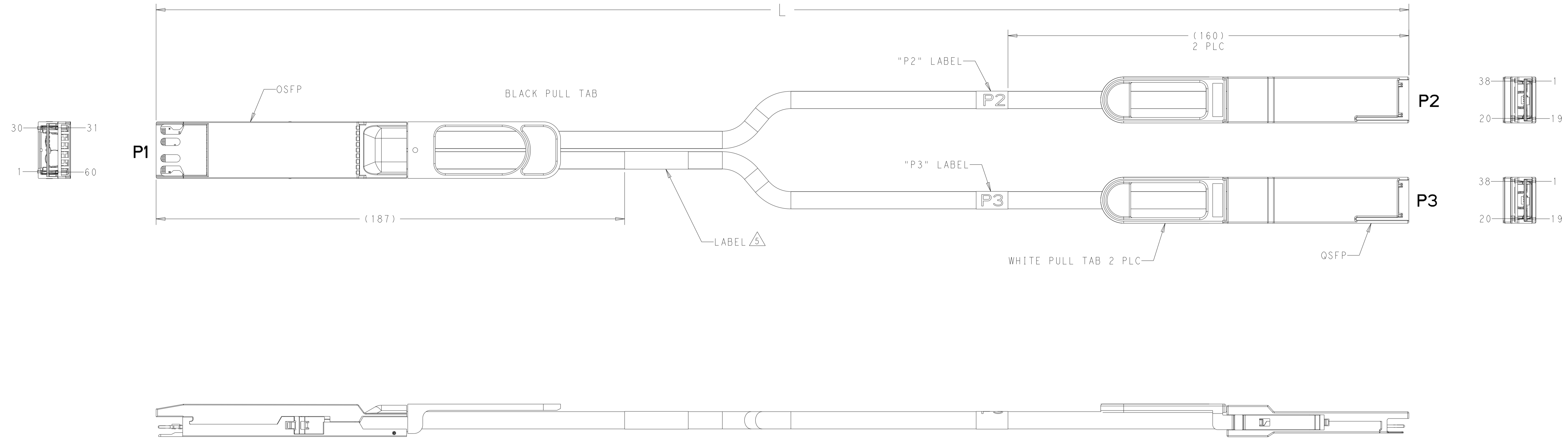
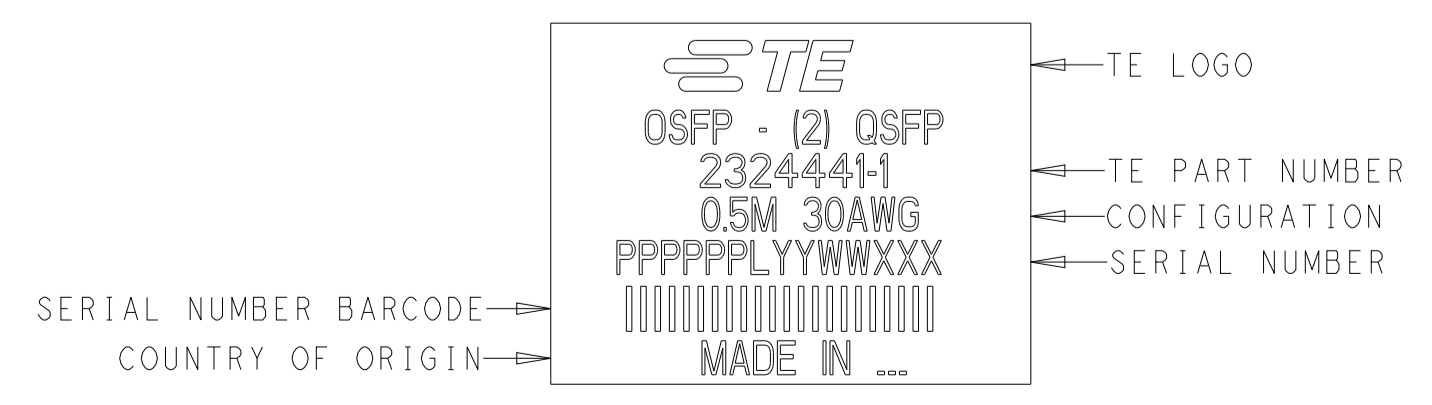


REVISIONS				
P	LTN	DESCRIPTION	DATE	APVD
3		REVISED NOTES 4 AND 5 PER ECO-20-013269	16SEP2020	REH MS
A		ECN-22-149851	06JUL2022	JW JW



- SEE SHEET 2 FOR WIRING SCHEMATIC.
 - ALL MATERIALS, COMPONENTS AND PROCESSES SHALL COMPLY WITH TEC-138-702. (CONTAIN NO BANNED OR RESTRICTED SUBSTANCES).
 - NO REACH SVHC SHALL BE CONTAINED ABOVE THE THRESHOLD AS DEFINED IN REACH SVHC COMPLIANCE DEFINITION IN ANNEX A OF TEC-138-702.
 - CABLE ASSEMBLIES ARE 100% TESTED FOR OPENS, SHORTS, HI-POT, AND PROPER EEPROM PROGRAM.
- △ LABEL INFORMATION: -1 SHOWN.



2M 30AWG	2000±30	2324441-4
1.5M 30AWG	1500±25	2324441-3
1M 30AWG	1000±20	2324441-2
0.5M 30AWG	500±20	2324441-1
CONFIGURATION	L	PART NO

THIS DRAWING IS A CONTROLLED DOCUMENT.

DIMENSIONS:	TOLERANCES UNLESS OTHERWISE SPECIFIED:	OWN: B. MATTHEWS 17APR2018	TE Connectivity NAME: CABLE ASSEMBLY, 30AWG, OSFP TO (2) QSFP PRODUCT SPEC: - APPLICATION SPEC: - SIZE: A1 CAGE CODE: 00779 DRAWING NO: 2324441 RESTRICTED TO: -
mm	0 PLC ± 1 PLC ± 2 PLC ± 3 PLC ± 4 PLC ± ANGLES ±	CHK: K. STAUFFER 17APR2018	
	FINISH ±	APVD: K. STAUFFER 17APR2018	
MATERIAL:		PRODUCT SPEC:	


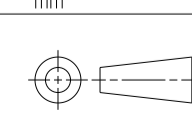
CUSTOMER DRAWING SCALE 1:2 SHEET 1 OF 2 REV A

REVISIONS				
P	LTN	DESCRIPTION	DATE	APVD
-		SEE SHEET 1	-	-

P1 (OSFP)			P2 (QSFP)	
GND				GND
TX2+	2	↔	22	RX2+
TX2-	3	↔	21	RX2-
GND				GND
TX4+	5	↔	25	RX4+
TX4-	6	↔	24	RX4-
GND				GND
GND				GND
RX3-	25	↔	34	TX3-
RX3+	26	↔	33	TX3+
GND				GND
RX1-	28	↔	37	TX1-
RX1+	29	↔	36	TX1+
GND				GND
GND				GND
RX2+	32	↔	3	TX2+
RX2-	33	↔	2	TX2-
GND				GND
RX4+	35	↔	6	TX4+
RX4-	36	↔	5	TX4-
GND				GND
GND				GND
TX3-	55	↔	15	RX3-
TX3+	56	↔	14	RX3+
GND				GND
TX1-	58	↔	18	RX1-
TX1+	59	↔	17	RX1+
GND				GND

P1 (OSFP)			P3 (QSFP)	
GND				GND
TX6+	8	↔	22	RX2+
TX6-	9	↔	21	RX2-
GND				GND
TX8+	11	↔	25	RX4+
TX8-	12	↔	24	RX4-
GND				GND
GND				GND
RX7-	19	↔	34	TX3-
RX7+	20	↔	33	TX3+
GND				GND
RX5-	22	↔	37	TX1-
RX5+	23	↔	36	TX1+
GND				GND
GND				GND
RX6+	38	↔	3	TX2+
RX6-	39	↔	2	TX2-
GND				GND
RX8+	41	↔	6	TX4+
RX8-	42	↔	5	TX4-
GND				GND
GND				GND
TX7-	49	↔	15	RX3-
TX7+	50	↔	14	RX3+
GND				GND
TX5-	52	↔	18	RX1-
TX5+	53	↔	17	RX1+
GND				GND

WIRING PATTERN

THIS DRAWING IS A CONTROLLED DOCUMENT.		DWN B. MATTHEWS 17APR2018 CHK K. STAUFFER 17APR2018 APVD K. STAUFFER 17APR2018	 TE Connectivity	
DIMENSIONS: mm 	TOLERANCES UNLESS OTHERWISE SPECIFIED: 0 PLC ± 1 PLC ± 2 PLC ± 3 PLC ± 4 PLC ± ANGLES ± FINISH ±	NAME CABLE ASSEMBLY, 30AWG, OSFP TO (2) QSFP	SIZE A1	CAGE CODE 00779
MATERIAL		APPLICATION SPEC CUSTOMER DRAWING	DRAWING NO. 2324441	RESTRICTED TO -
SCALE 1:2			SHEET 2 OF 2	REV A