

THIS DRAWING IS UNPUBLISHED.

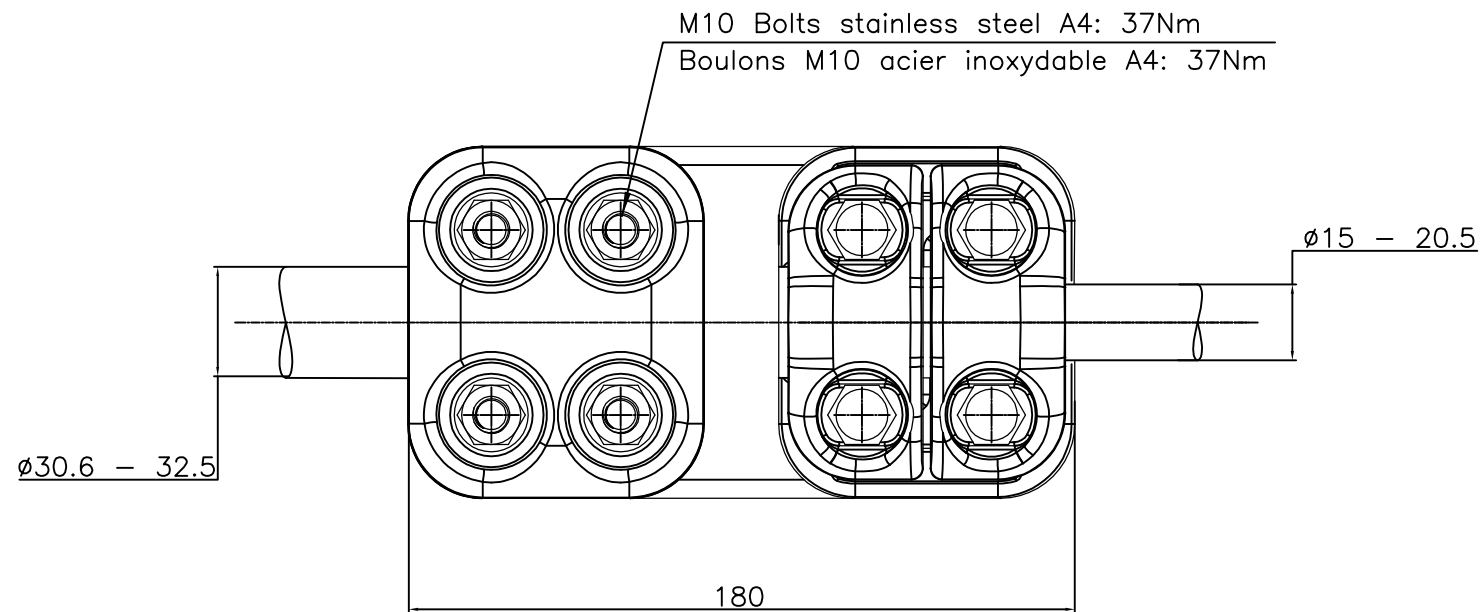
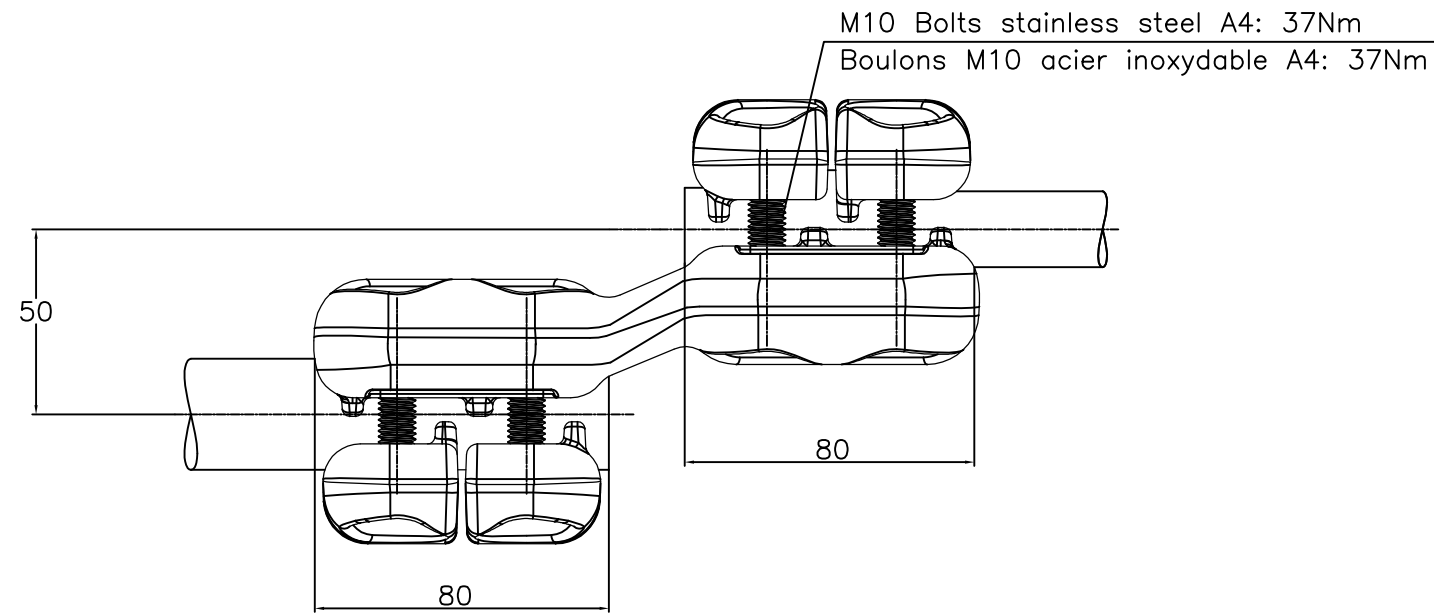
RELEASED FOR PUBLICATION

ALL RIGHTS RESERVED.

REVISIONS

© COPYRIGHT - By -

P	LTR	DESCRIPTION	DATE	DWN	APVD
	A	CREATION	13-SEP-17	MP	-



THIS DRAWING IS A CONTROLLED DOCUMENT.		DWN	PREVOT	13-SEP-17	STE TE Connectivity
DIMENSIONS: mm		CHK	-	-	
TOLERANCES UNLESS OTHERWISE SPECIFIED:		APVD	-	-	NAME STRAIGHT CONNECTOR RACCORD DROIT 5 CJ 84 S325 S205
0 PLC ± -		PRODUCT SPEC	108-69094-001	APPLICATION SPEC	
1 PLC ± -		APPROX.WEIGHT 1.77 kg			SIZE
2 PLC ± -		CUSTOMER DRAWING			CAGE CODE
3 PLC ± -		SCALE 1:2			DRAWING NO
4 PLC ± -		SHEET 1 of 1			RESTRICTED TO
ANGLES ± -		REV A			
FINISH -		A300779			
MATERIAL -		C=2323810			

ITEM:.....