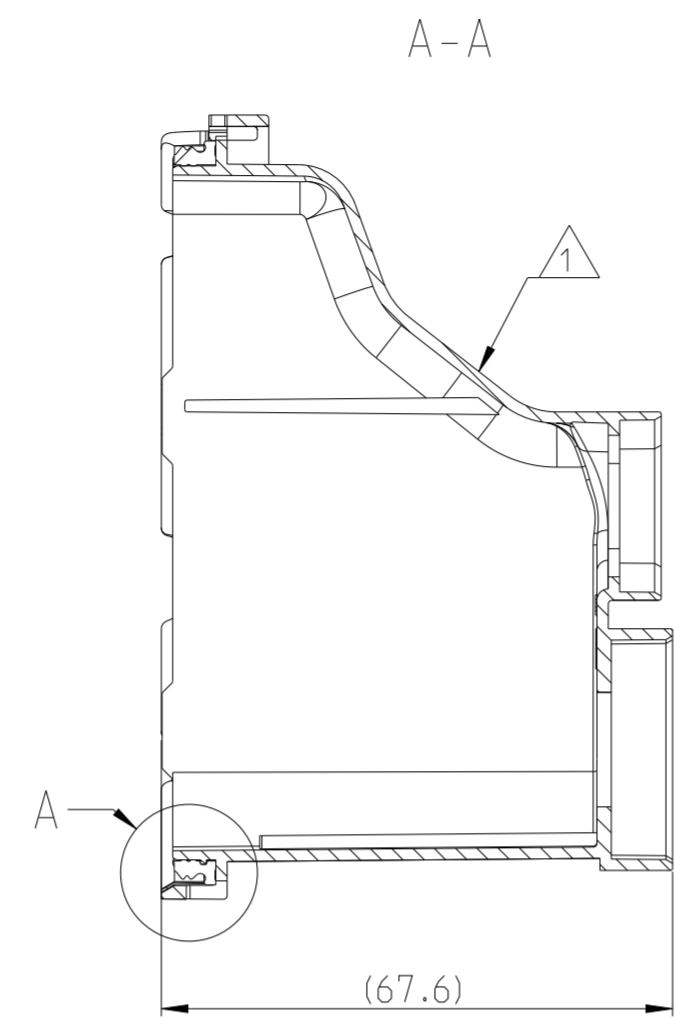
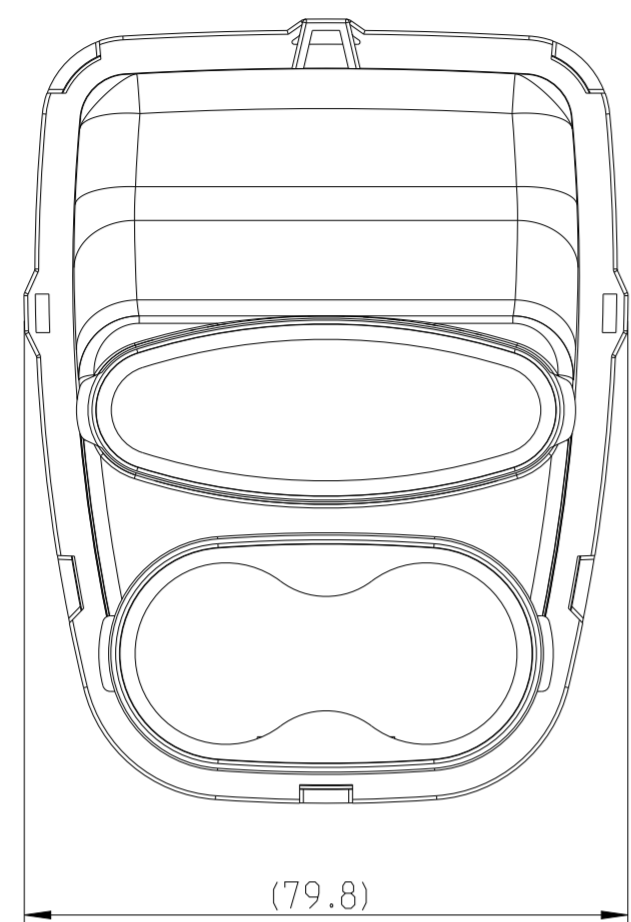


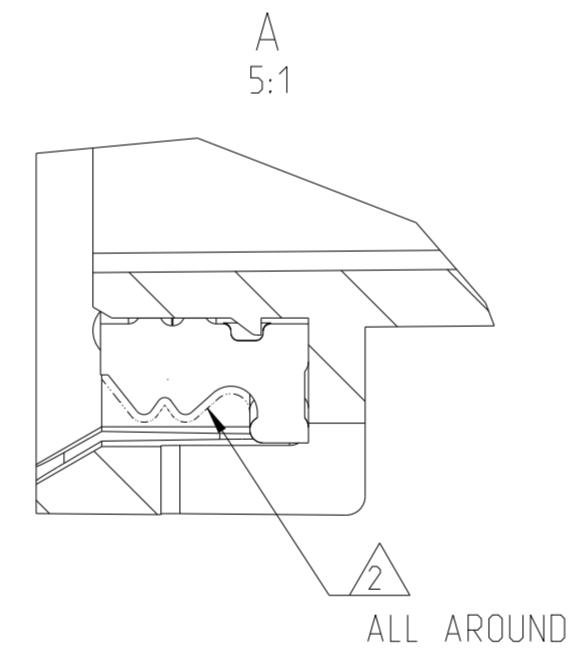
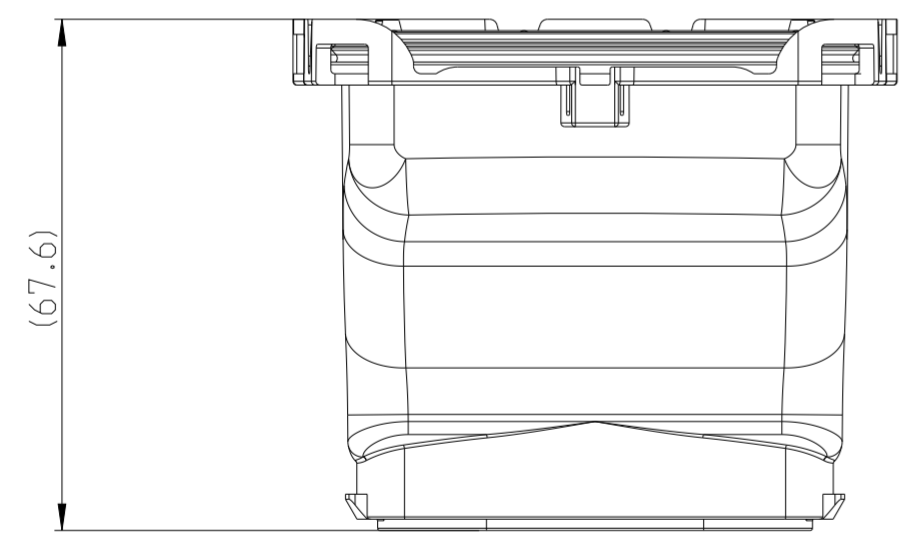
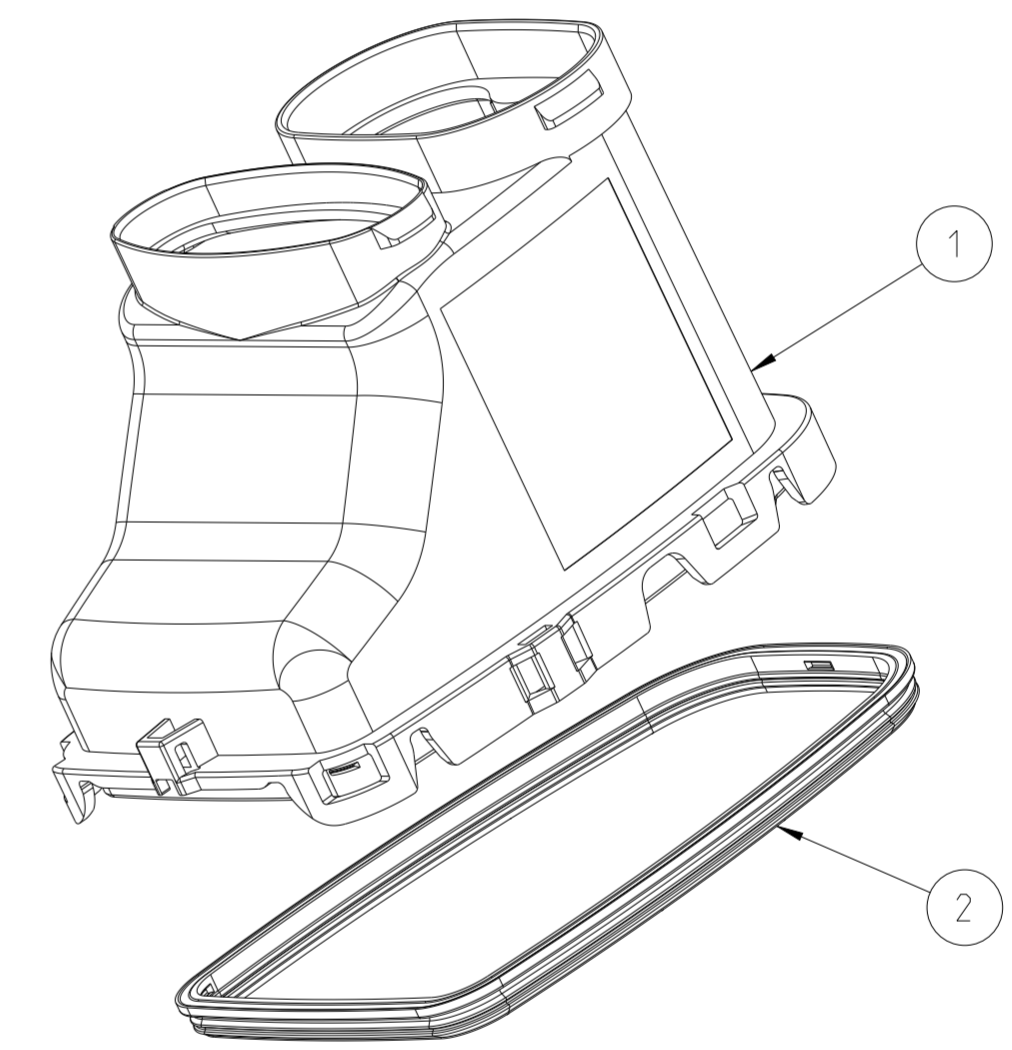
THIS DRAWING IS UNPUBLISHED. RELEASED FOR PUBLICATION  
 © COPYRIGHT copyright\_date BY - ALL RIGHTS RESERVED.

REVISIONS					
P	LTR	DESCRIPTION	DATE	DWN	APVD
A		INITIAL RELEASE	15JUN2018	AKS	BD
A1		PILOT PN 9- OBSOLETED	04APR2022	EC	BD
B		NEW MATERIAL REF PHERIPHERAL SEAL	21SEP2022	CV	BD



NOTES

- 1 VISIBLE SURFACE: NO SCRATCHES OR DAMAGES ALLOWED
- 2 SEAL: NO SCRATCHES OR DAMAGES ALLOWED
- 3 BULK PACKAGING ACC. TO 107-15776



B	1	1	RUST RED	PERIPHERAL SEAL,COMBO CHARGE INLET	B	2
	1	-	-	ORANGE	CABLE EXIT, RECT, COMBO	A
-	-	-	ORANGE	CABLE EXIT, RECT, COMBO PILOT	A	
ASSY PN	2323264-1	9-2323264-1	COLOR	DESCRIPTION	REV	ITEM NO
ASSY REV	B	A	COMPONENT DETAILS			
ASSY DESCRIPTION	COVER CABLE EXIT					

THIS DRAWING IS A CONTROLLED DOCUMENT.

DWN ARUN KUMAR S 15 JUN 2018	TE Connectivity
CHK VOLANTIN C 15 JUN 2018	
APVD DUPONT B. 15 JUN 2018	
NAME Cover, Cable Exit, Assy	
PRODUCT SPEC -	
APPLICATION SPEC -	
WEIGHT -	
CUSTOMER DRAWING	

SIZE A2	CAGE CODE 00779	DRAWING NO C-2323264	RESTRICTED TO
SCALE 1:1	SHEET 1 OF 1	REV B	