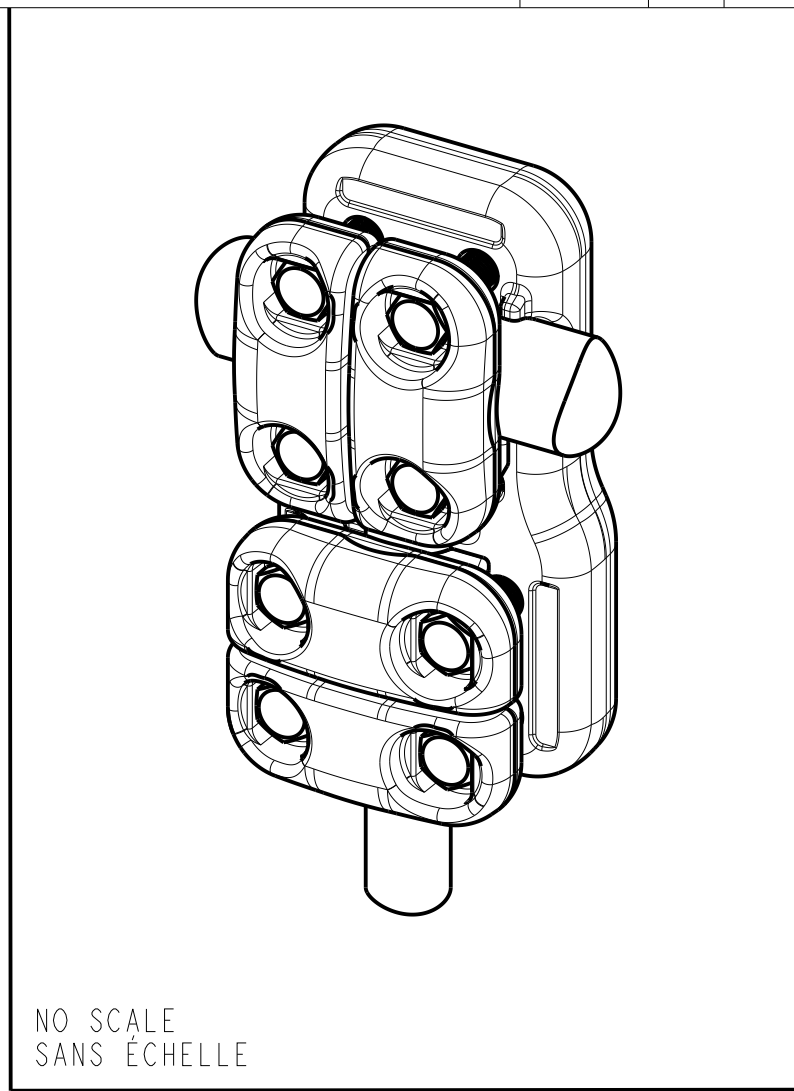
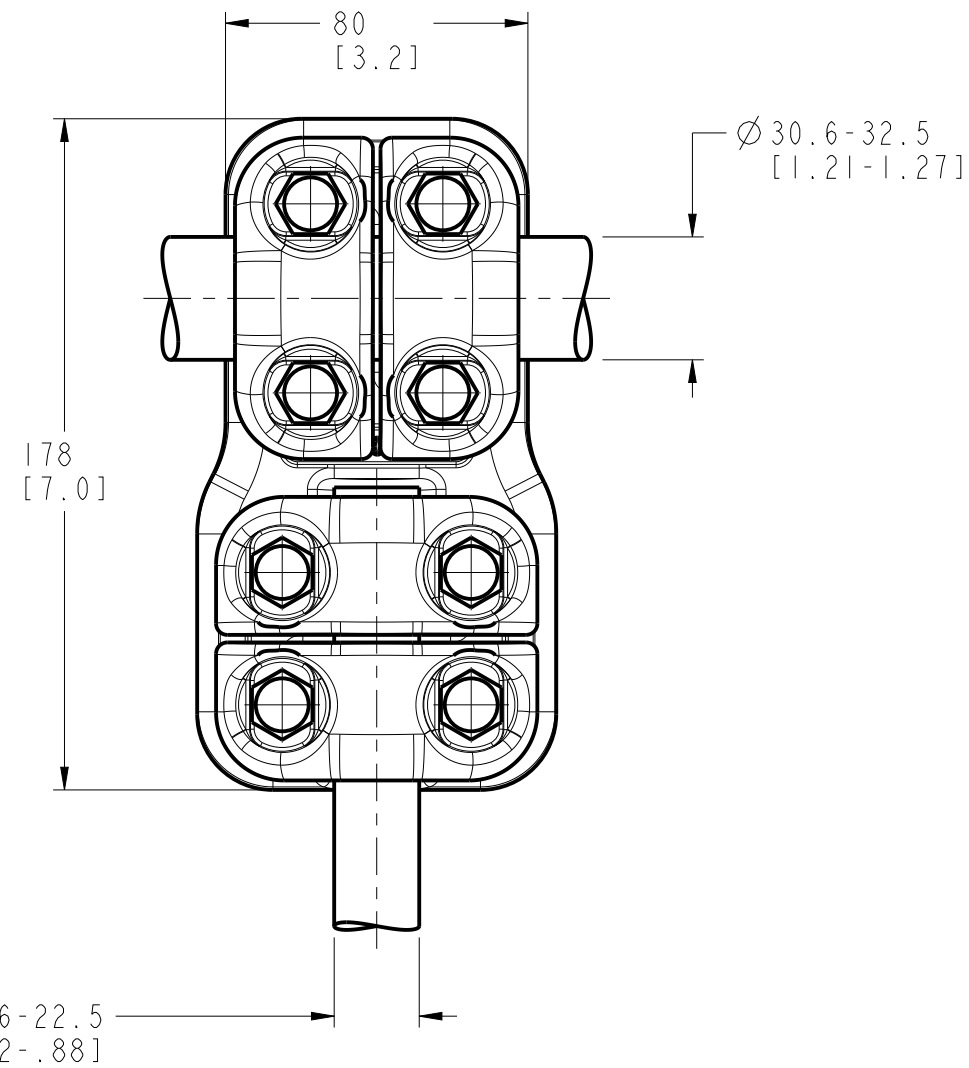
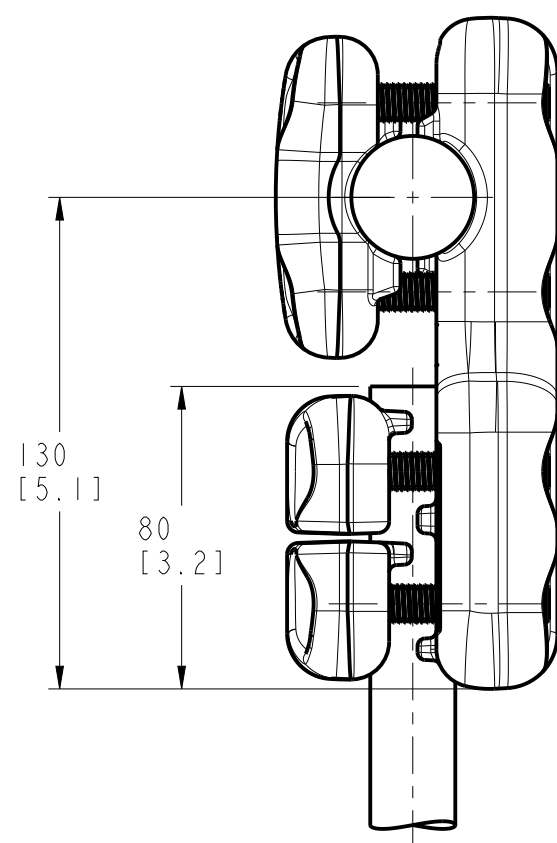


P	LTR	DESCRIPTION	DATE	DWN	APVD
	A	INITIAL REL. PER LC20-0109-20	17NOV2020	BM	MP



NO SCALE
SANS ÉCHELLE

Notes:
 1. All connector bolts are M10 A2 stainless steel.
 M10 bolts to be tightened to 37Nm / 27.3ft-lb torque.
 Tous les boulons de connecteur sont en acier inoxydable A2 M10.
 Boulons M10 à serrer au couple de 37Nm / 27.3ft-lb.

2323032-1
PART NO.

THIS DRAWING IS A CONTROLLED DOCUMENT.		DWN BHARATH B M 17NOV2020														
DIMENSIONS: mm[inch]		CHK J. GUPPY 17NOV2020														
TOLERANCES UNLESS OTHERWISE SPECIFIED:		APVD M PREVOT 17NOV2020	NAME TEE CONNECTOR CONNECTEUR EN T													
<table border="1"> <tr> <td>0 PLC</td> <td>±</td> </tr> <tr> <td>1 PLC</td> <td>±</td> </tr> <tr> <td>2 PLC</td> <td>±</td> </tr> <tr> <td>3 PLC</td> <td>±</td> </tr> <tr> <td>4 PLC</td> <td>±</td> </tr> <tr> <td>ANGLES</td> <td>±</td> </tr> </table>		0 PLC	±	1 PLC	±	2 PLC	±	3 PLC	±	4 PLC	±	ANGLES	±	PRODUCT SPEC 108-69096-001	5 CT 82 S325 S225	
0 PLC	±															
1 PLC	±															
2 PLC	±															
3 PLC	±															
4 PLC	±															
ANGLES	±															
MATERIAL		APPLICATION SPEC -	SIZE A3	CAGE CODE 00779	DRAWING NO C=2323032-1	RESTRICTED TO -										
FINISH -		WEIGHT 1.7 kg/3.17 lbs	SCALE 1:2		SHEET 1 OF 1	REV A										
		CUSTOMER DRAWING														