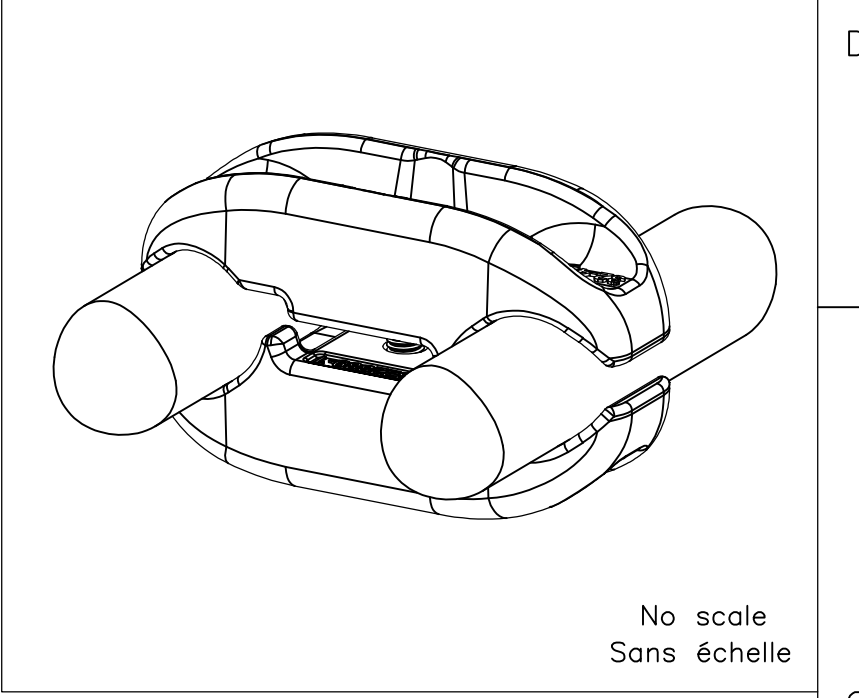
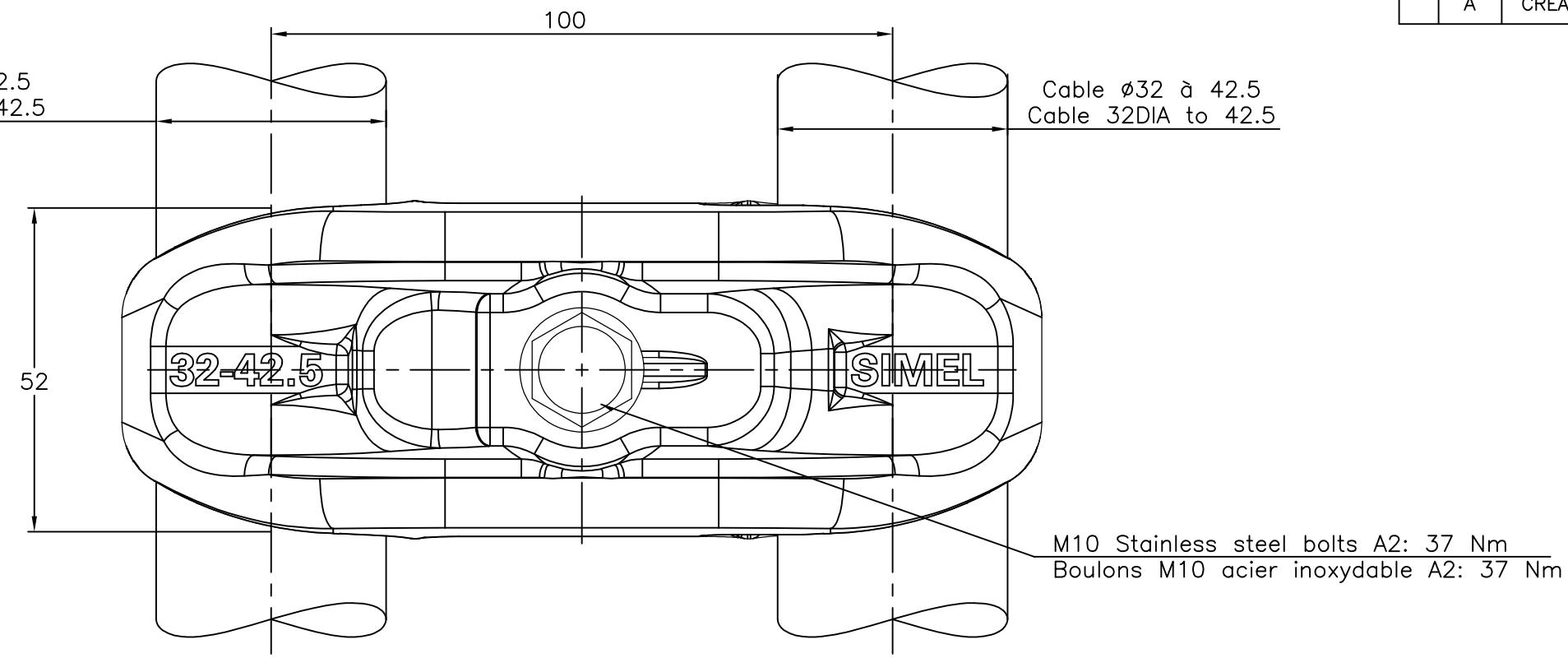


THIS DRAWING IS UNPUBLISHED. RELEASED FOR PUBLICATION
 © COPYRIGHT - By - ALL RIGHTS RESERVED.

REVISIONS				
P	LTR	DESCRIPTION	DATE	APVD
	A	CREATION	26-FEB-17	JG -

D



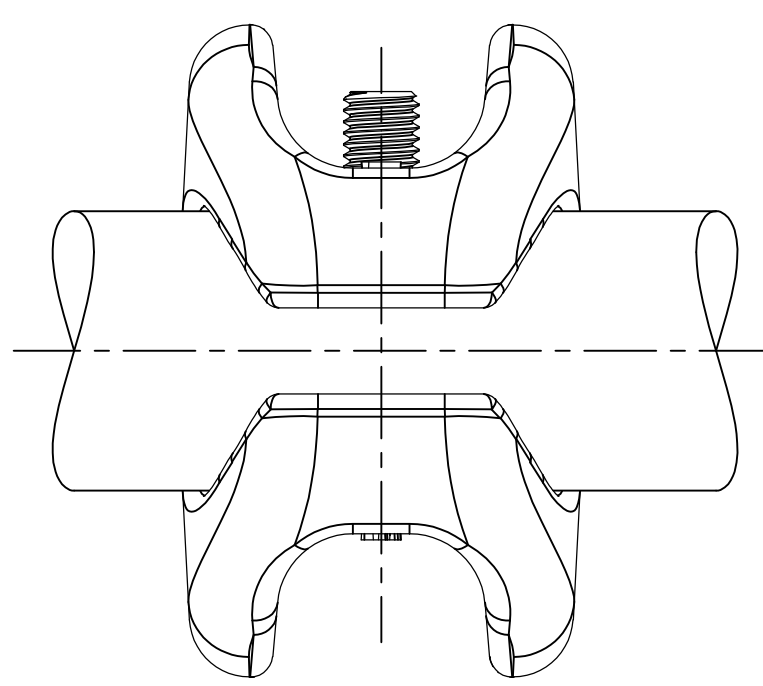
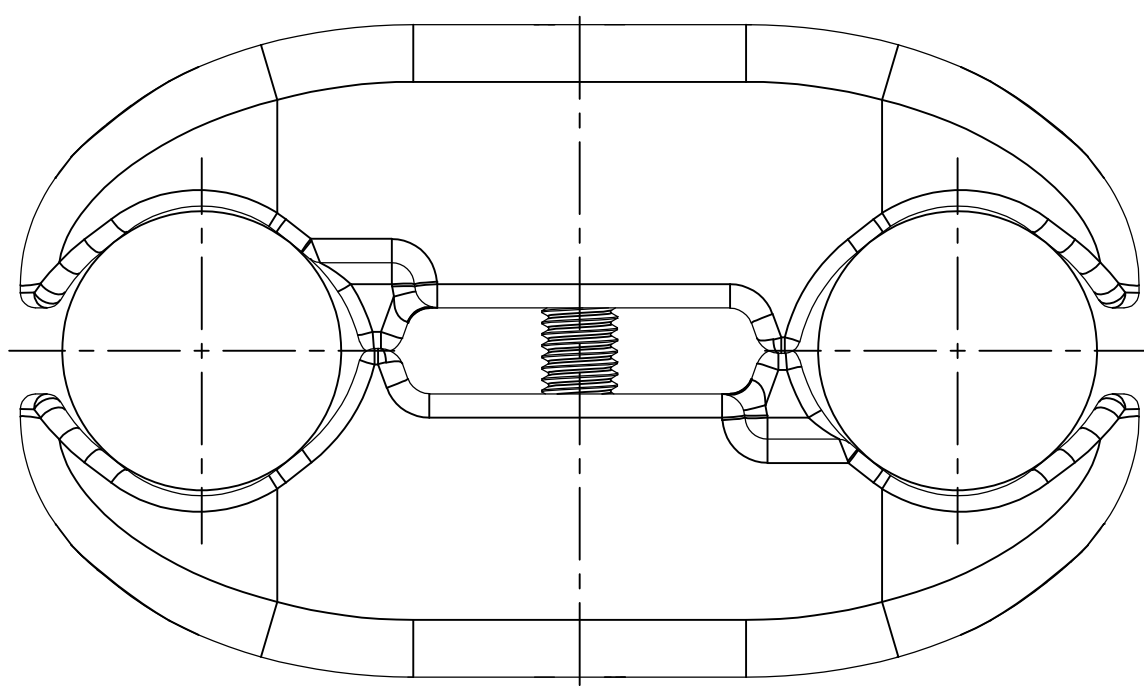
D

C

C

B

B



A

A

ITEM:.....

THIS DRAWING IS A CONTROLLED DOCUMENT.		DWN GODARD	26-Feb-17	STE TE Connectivity	
DIMENSIONS: mm		CHK	-		
TOLERANCES UNLESS OTHERWISE SPECIFIED:		APVD	-	NAME	
0 PLC ± -		PRODUCT SPEC		TWIN BUNDLE SPACER	
1 PLC ± -		108-69096-001		ENTRETOISE POUR FAISCEAU DOUBLE	
2 PLC ± -		APPLICATION SPEC		5 CAE 82 M320/M425 E100	
3 PLC ± -		SIZE	CAGE CODE	DRAWING NO	RESTRICTED TO
4 PLC ± -		-	-	-	-
ANGLES ± -		APPROX.WEIGHT	0.7 kg	A3	00779
FINISH		CUSTOMER DRAWING		SCALE	1:1
-		-		SHEET	1 OF 1
				REV	A