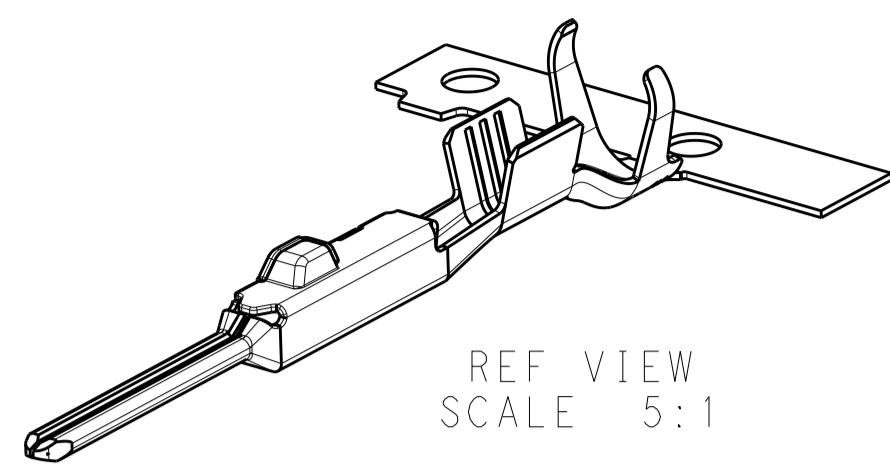
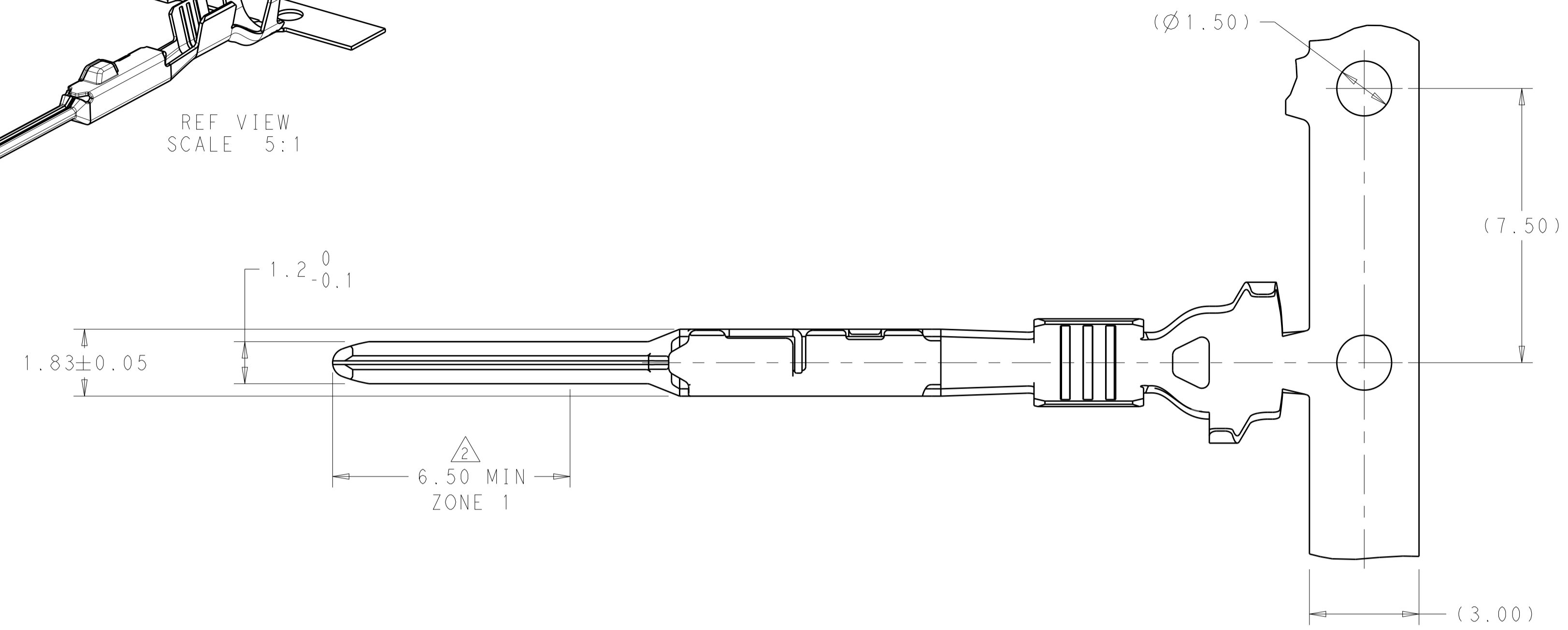


LOC		DIST		REVISIONS			
IN	00	REV	DATE	BY	CHK	APPD	DATE
		A	17JUL2017	HM	CR		
		A1	08JUL2019	SY	CR		



REF VIEW
SCALE 5:1



- △ COPPER ALLOY
- △ 2.0µm MIN SILVER IN ZONE 1, 0.5µm MIN SILVER IN WIRE BARREL ALL OVER 0.5µm NICKEL
- 3. TERMINAL DESIGNED TO BE USED WITH SINGLE WIRE SEAL. SEE APPLICATION SPEC 114-32121 FOR PART NUMBERS
- 4. MAX 9 TERMINALS MISSING PER REEL PERMITTED
- 5. 3 LOOSE SPLICES PER REEL ALLOWED
- 6. SEE APPLICATION SPEC 114-32121 FOR ALLOWABLE INSULATION O.D.
- ⬡ 7. TERMINAL IS QUALIFIED TO GMW3191 T3(-40°C TO 125°C) AND V1(SEALED ON BODY SPRUNG MASS)

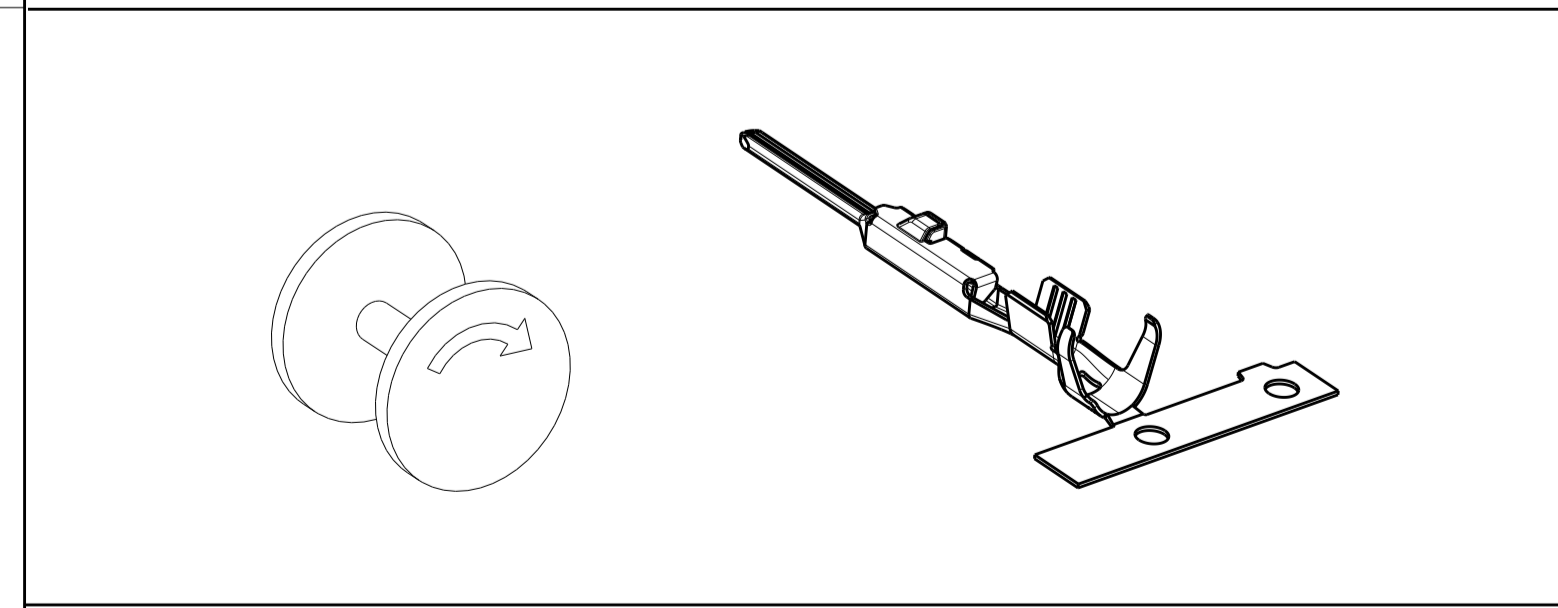
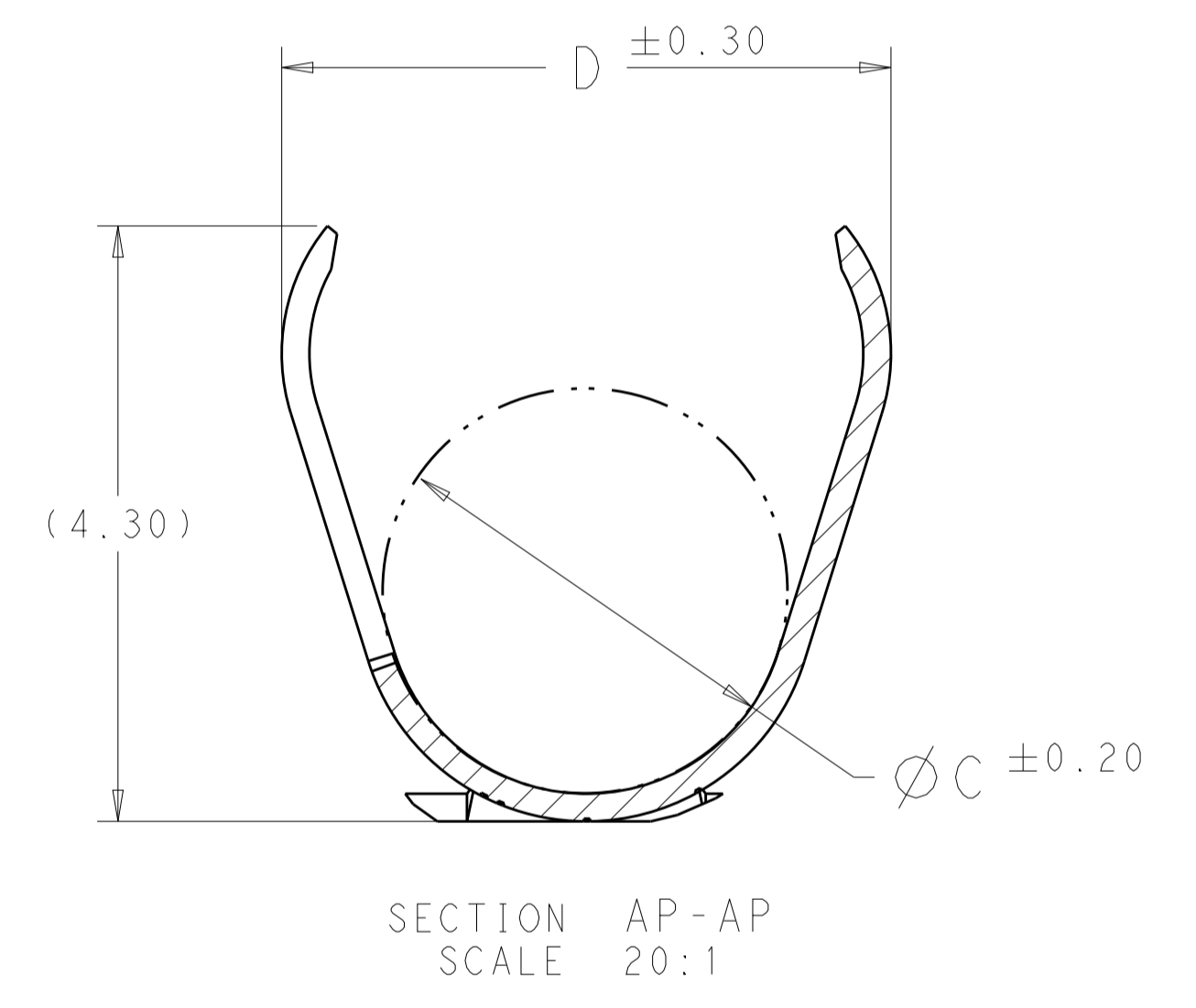
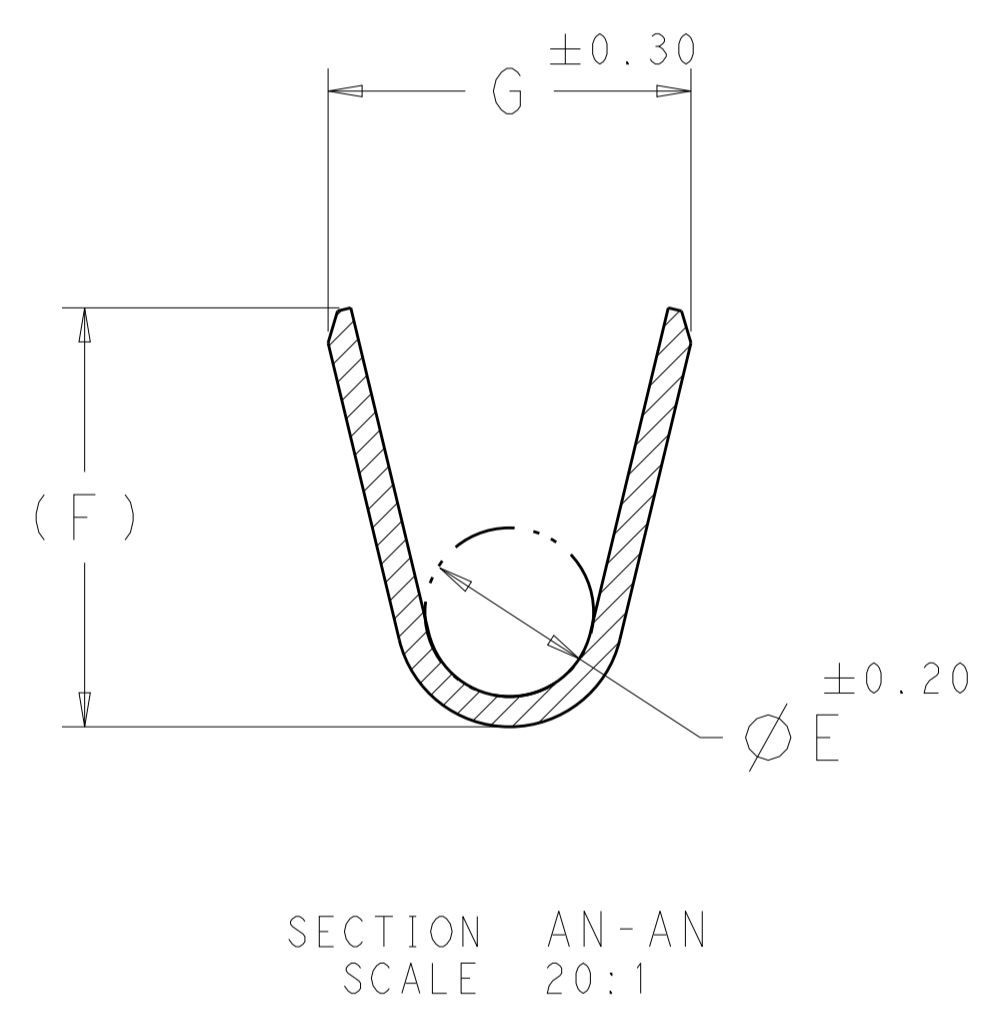
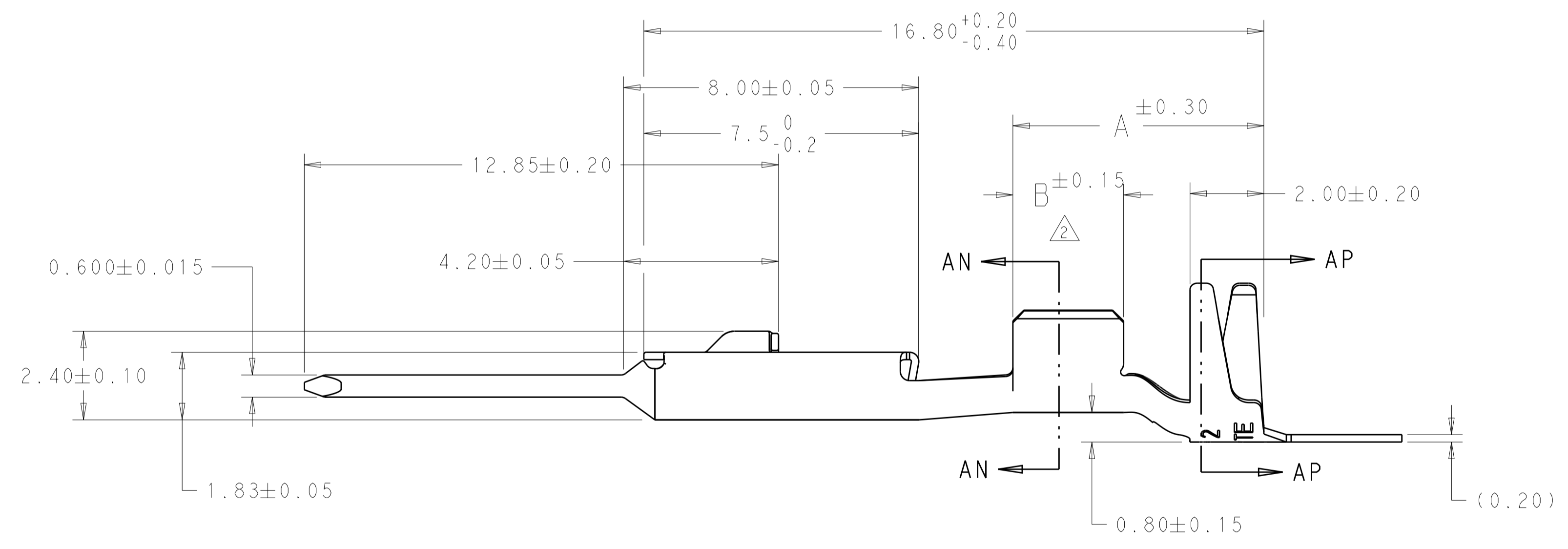


FIG 1
REELING DIRECTION
SCALE 3:1

0.220	FIG 1	1.80	1.80	0.80	4.20	2.60	2.60	6.40	0.35mm ²	2-2321973-3
0.230	FIG 1	2.00	2.10	1.10	4.20	2.70	3.00	6.80	0.50mm ²	2-2321973-2
0.235	FIG 1	2.40	2.77	1.10	4.40	2.90	3.00	6.80	0.75mm ² TO 1.0mm ²	2-2321973-1
WEIGHT (GRAMS)	REELING	G	F	E	D	C	B	A	WIRE SIZE	PART NO

THIS DRAWING IS A CONTROLLED DOCUMENT.

DIMENSIONS:	TOLERANCES UNLESS OTHERWISE SPECIFIED:	DATE: 17JUL2017	CHK: MOLL
mm	0 PLC ±	DATE: 17JUL2017	CHK: C. RAYBOLD
	1 PLC ±	DATE: 17JUL2017	CHK: C. RAYBOLD
	2 PLC ±	DATE: 17JUL2017	CHK: C. RAYBOLD
	3 PLC ±	DATE: 17JUL2017	CHK: C. RAYBOLD
	4 PLC ±	DATE: 17JUL2017	CHK: C. RAYBOLD
	ANGLES ±	DATE: 17JUL2017	CHK: C. RAYBOLD

MATERIAL: △ FINISH: △

THIS DRAWING IS A CONTROLLED DOCUMENT. DATE: 17JUL2017. CHK: MOLL. DATE: 17JUL2017. CHK: C. RAYBOLD. DATE: 17JUL2017. CHK: C. RAYBOLD. DATE: 17JUL2017. CHK: C. RAYBOLD.

PRODUCT SPEC: 108-32199 (A1)

APPLICATION SPEC: SEE NOTES

WEIGHT: SEE TABLE A1

CUSTOMER DRAWING: SCALE 10:1 SHEET 1 OF 1 REV A1

STE TE Connectivity

MALE TERMINAL, SILVER PLATED, MCON MONO 1.2

SIZE: CAGE CODE DRAWING NO: A100779C=2321973