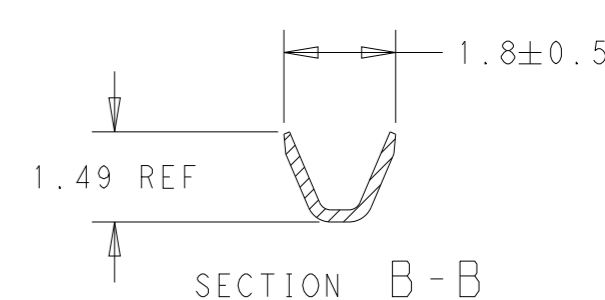
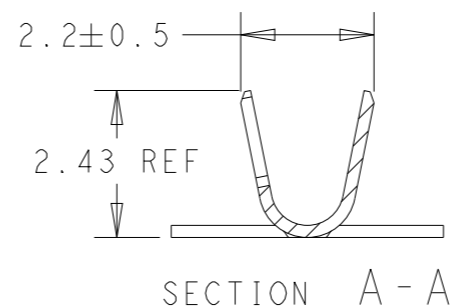
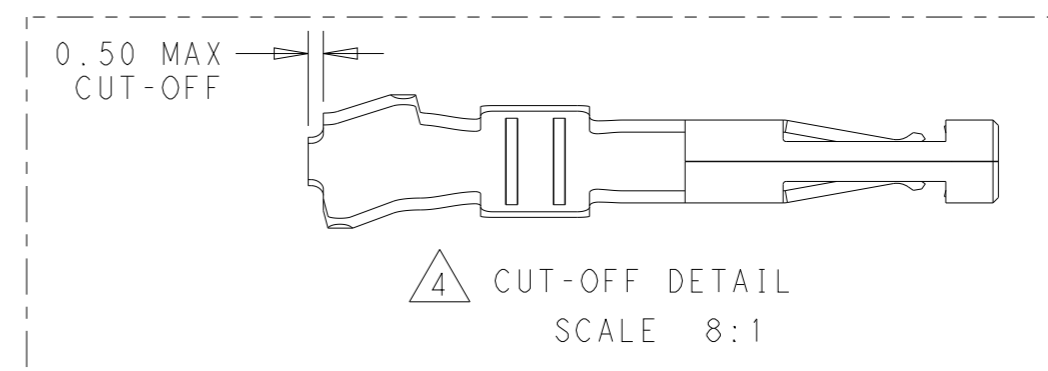
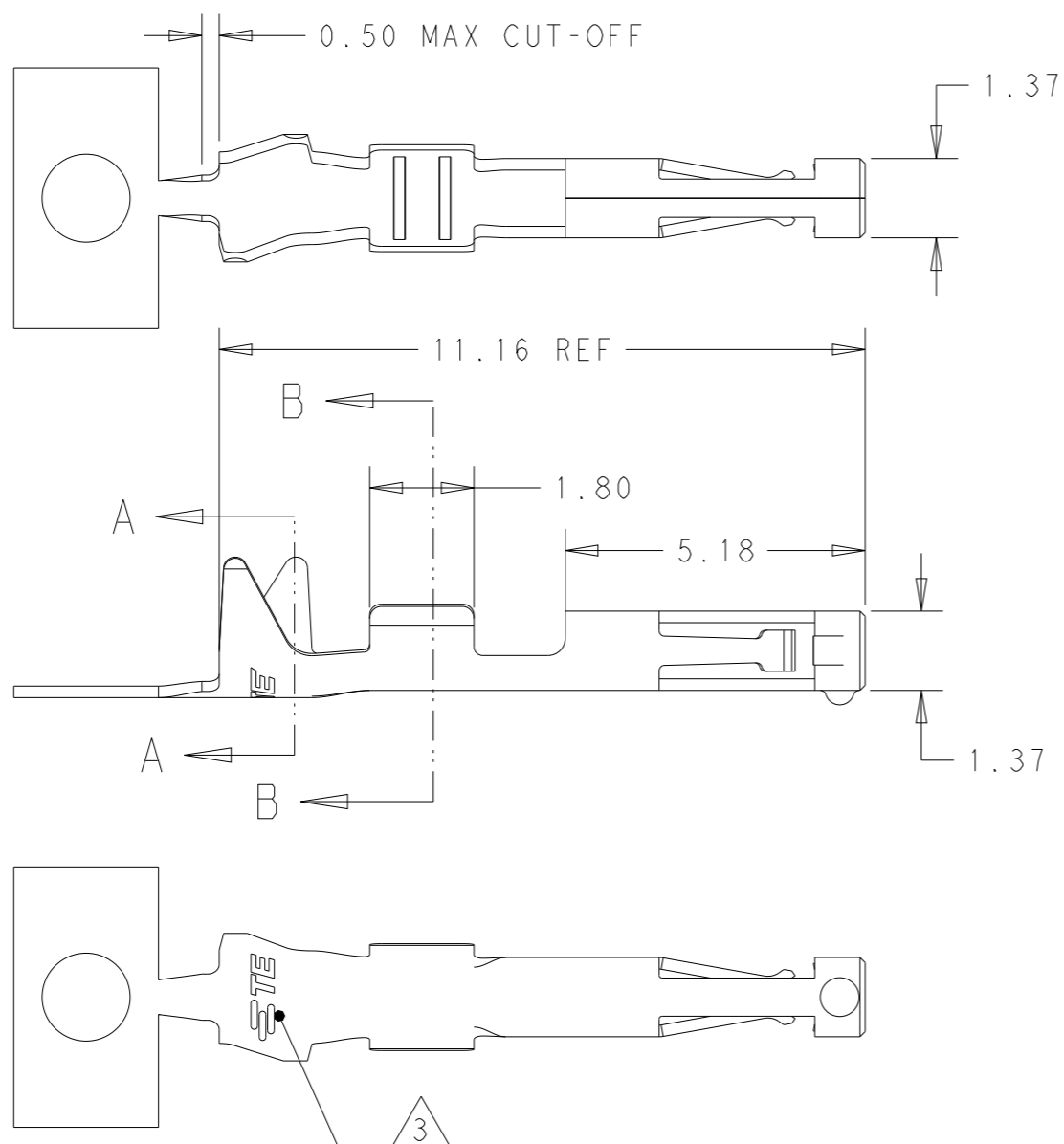
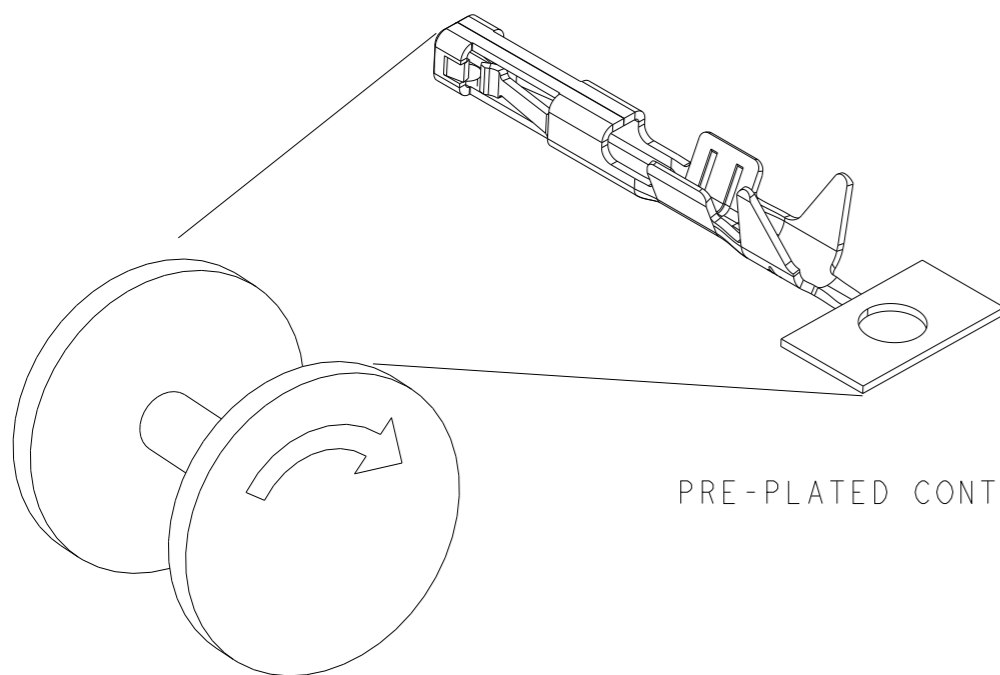


REVISIONS

P	LTR	DESCRIPTION	DATE	DWN	APVD
	A	INITIAL RELEASE	08AUG2019	L.C	D.Z
	A1	REVISED PER ECR-24-203089	19MAR2024	GK	DZ



- 1 COPPER ALLOY, 0.20 THICK, REF
- 2 FINISH: TIN PRE-PLATED
- 3 TE LOGO LOCATED APPROX IN THIS AREA
- 4 TO BE SUPPLIED WITH LOOSE PIECE, SEE CUT-OFF DETAIL
- 5 MATING PLUG HOUSING P/NS: 2321918-\*
- 6 APPLICATION FEED 6.0mm



*-2443732-*	0.90-1.30	22-26 AWG	LOOSE PIECE, SEE 4	2	1-2321921-1
*-2321922-*	1.30-1.60				2321921-1
*-2443732-*	0.90-1.30	22-26 AWG	ON REEL	2	2321921-1
*-2321922-*	1.30-1.60				
MATING GANG SEAL	INSULATION DIA	WIRE RANGE	REMARKS	FINISH	PART NO.

THIS DRAWING IS A CONTROLLED DOCUMENT.

DWN R. SMITH 28JUL2017

CHK C. YI 28JUL2017

APVD C. YI 28JUL2017

PRODUCT SPEC 108-143069

APPLICATION SPEC 114-143067

WEIGHT -

CUSTOMER DRAWING



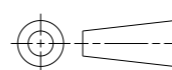
RECEPTACLE TERMINAL, SDL 2.5 WATERPROOF

SIZE A3 CAGE CODE 00779 DRAWING NO C-2321921 RESTRICTED TO -

SCALE 6:1 SHEET 1 OF 1 REV A1

DIMENSIONS:

mm



TOLERANCES UNLESS OTHERWISE SPECIFIED:

- 0 PLC ±-
- 1 PLC ±0.50
- 2 PLC ±0.25
- 3 PLC ±-
- 4 PLC ±-
- ANGLES ±-

MATERIAL



SEE TABLE