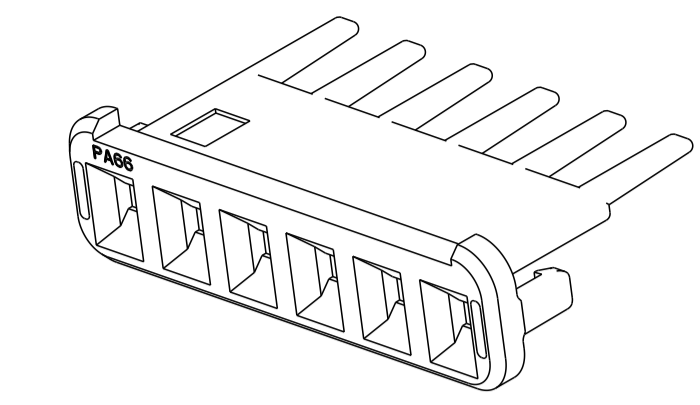
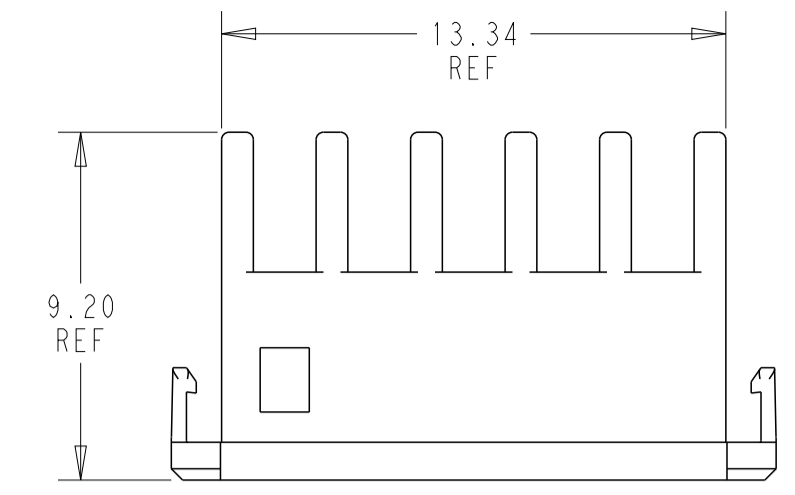
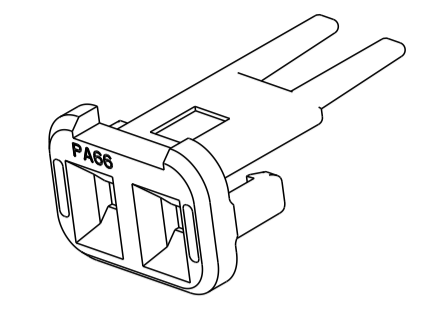
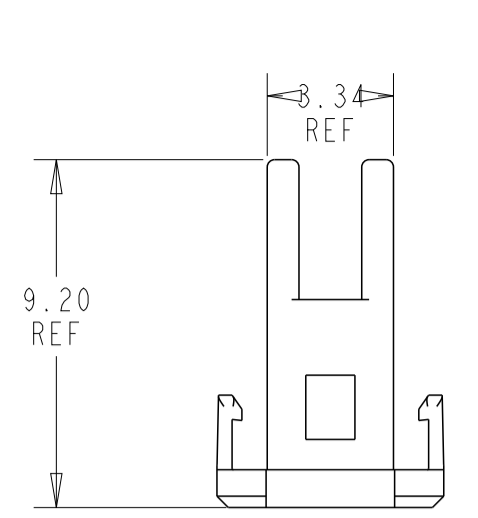


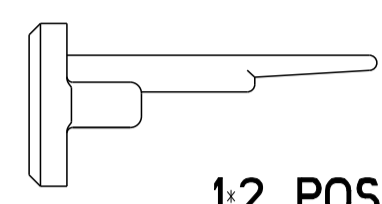
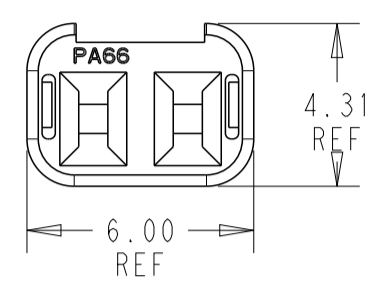
REVISIONS				
P	LTN	DESCRIPTION	DATE	OWN APVD
A1		REVISED PER ECR-23-166340	08FEB2023	SK DZ
A2		REVISED PER ECR-24-203079	18APR2024	MV CO
A3		REVISED PER ECR-24-211751	19JUL2024	DK CL



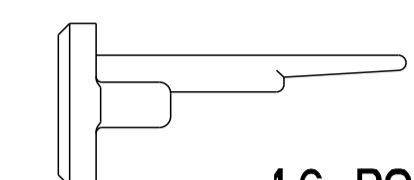
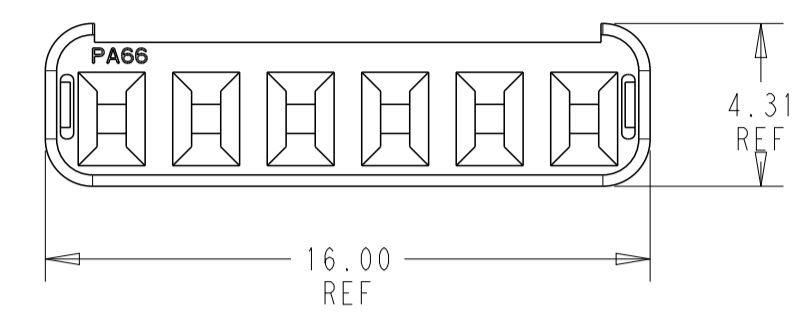
△ MATERIAL: NYLON  
COLOR: BLACK

2. MATING CONNECTOR P/N'S:  
PLUG HSG: 2321916-\*/\*-2329540-\*/\*-2443729-\*

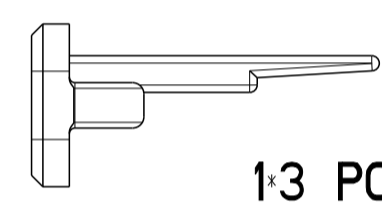
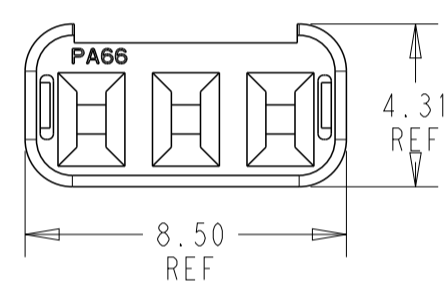
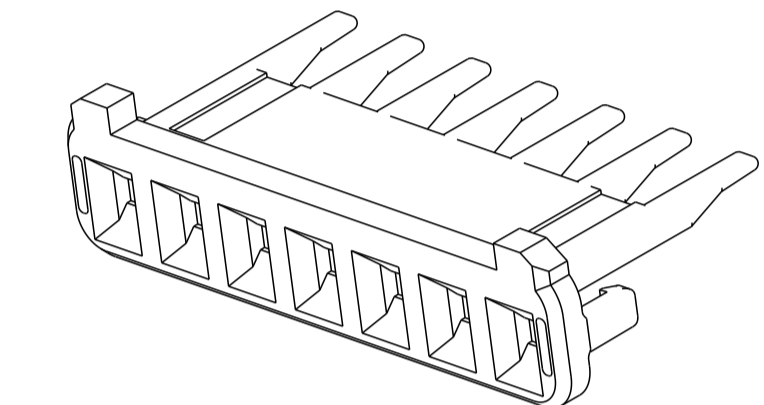
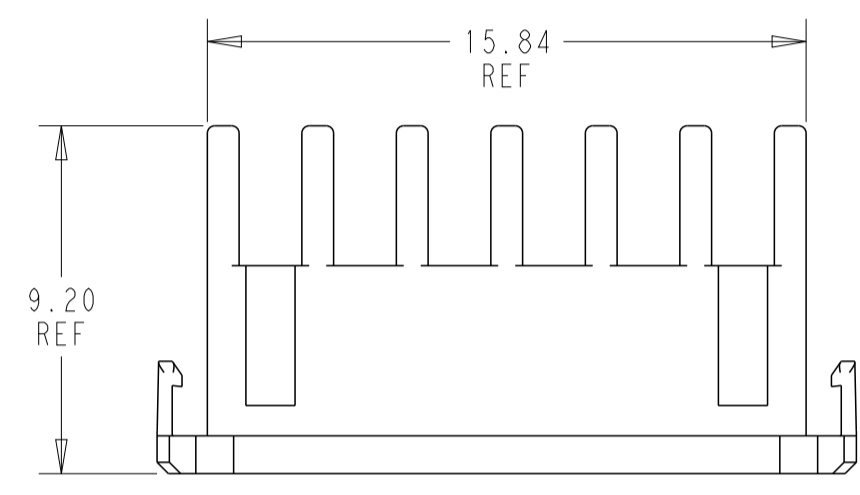
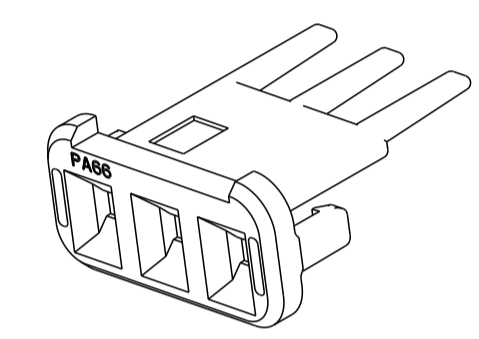
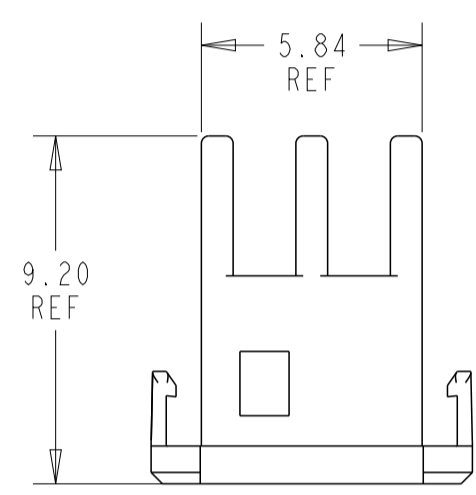
△ NOTE DELETED



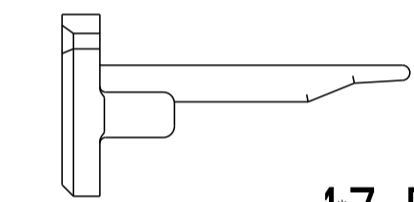
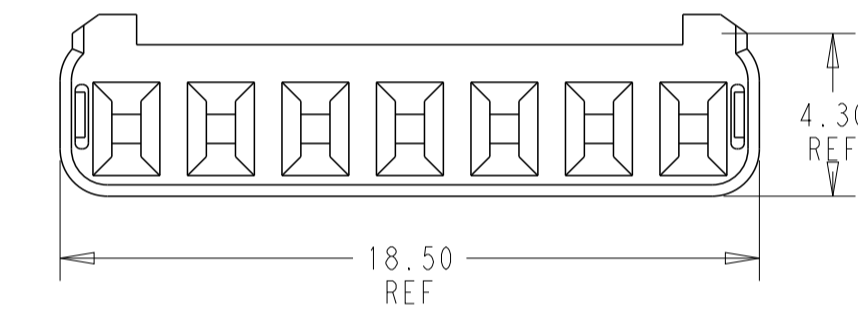
1:2 POSITION



1:6 POSITION

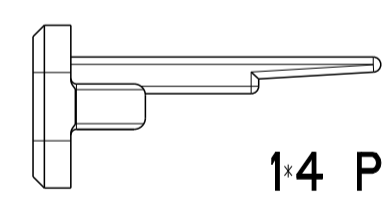
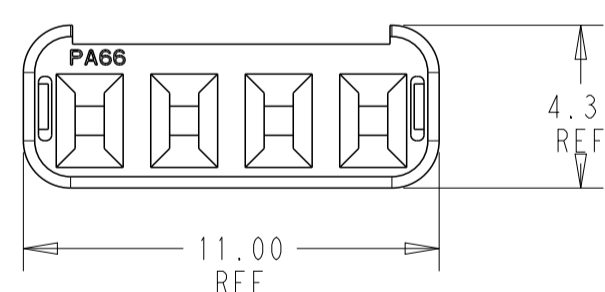
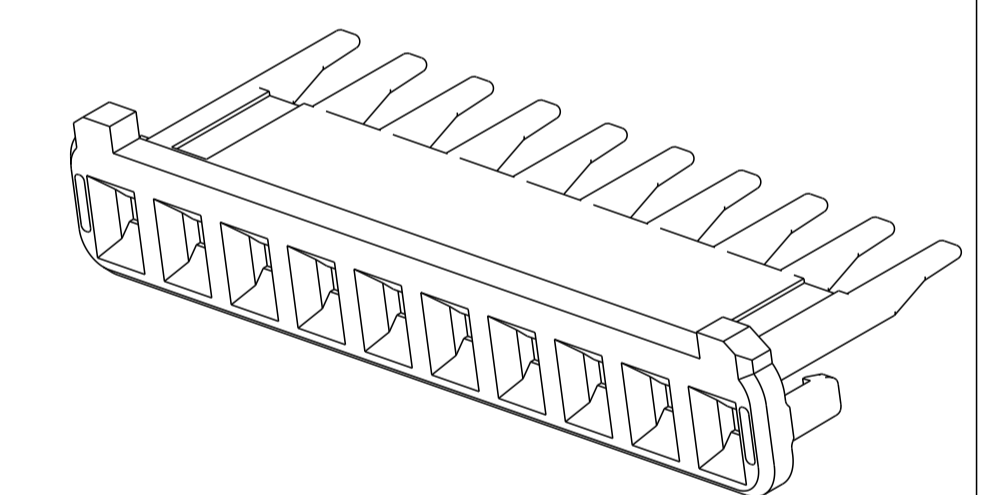
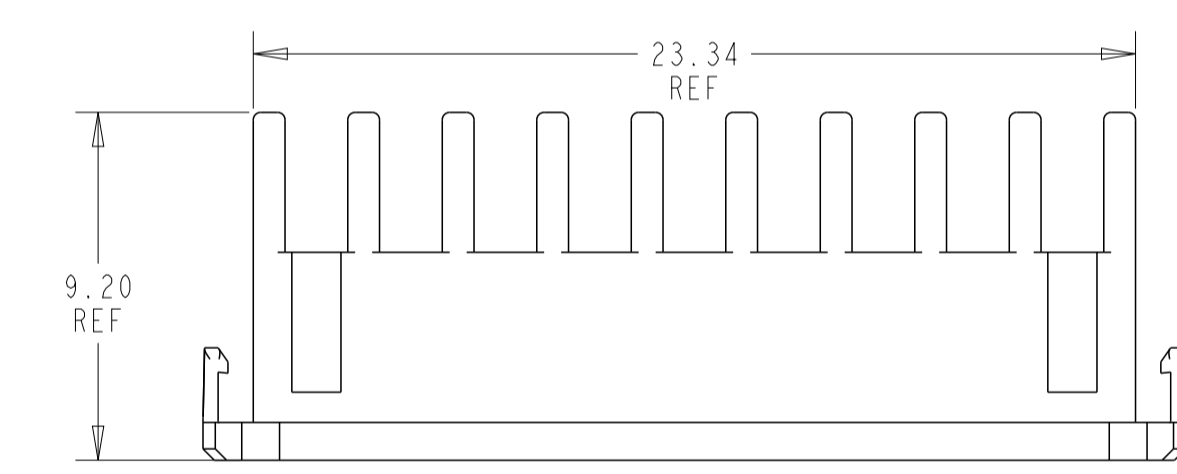
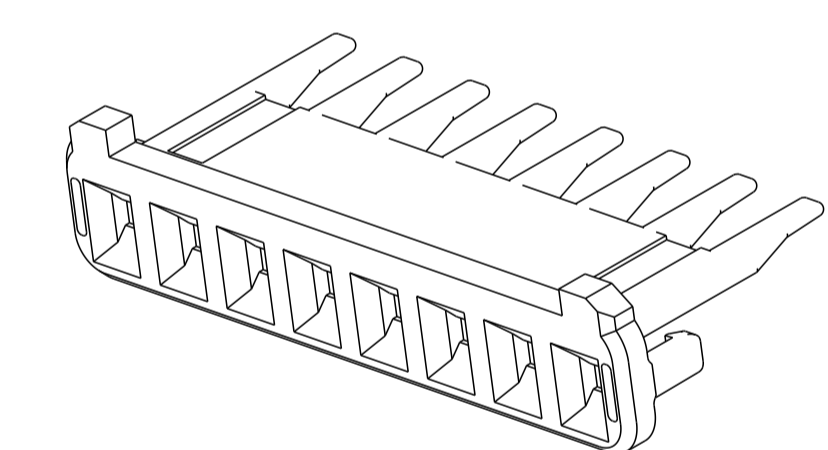
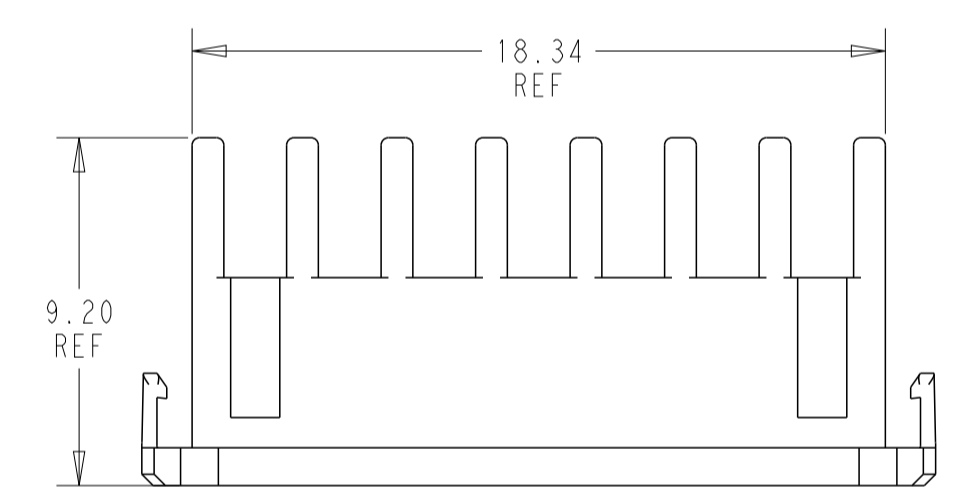
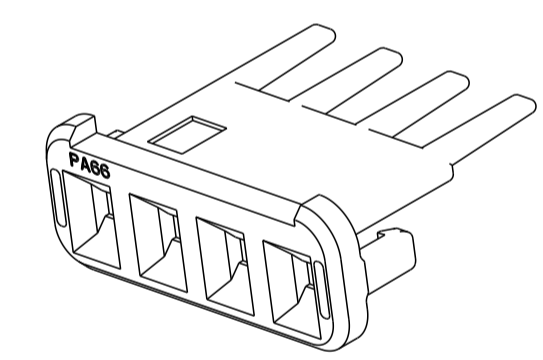
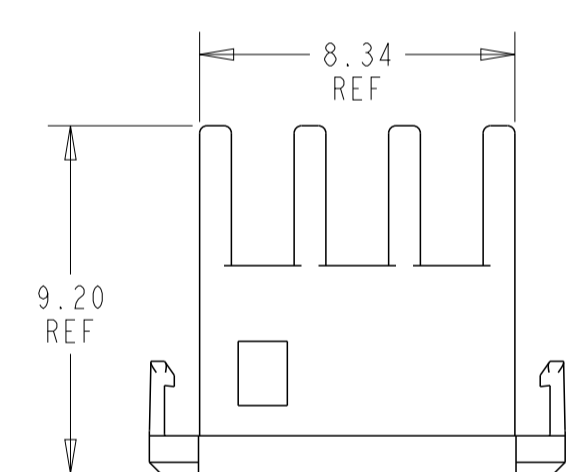


1:3 POSITION

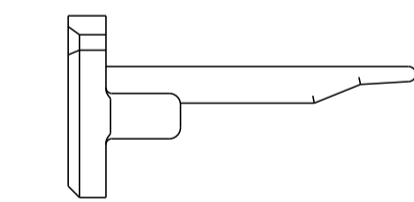
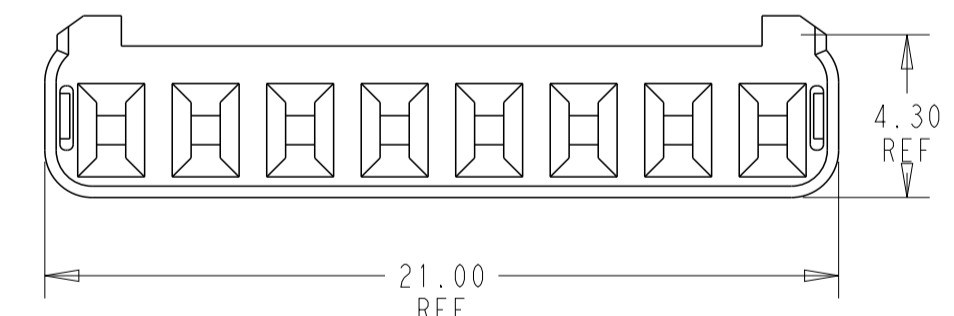


1:7 POSITION

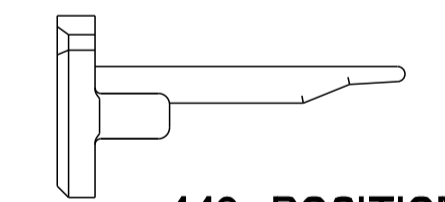
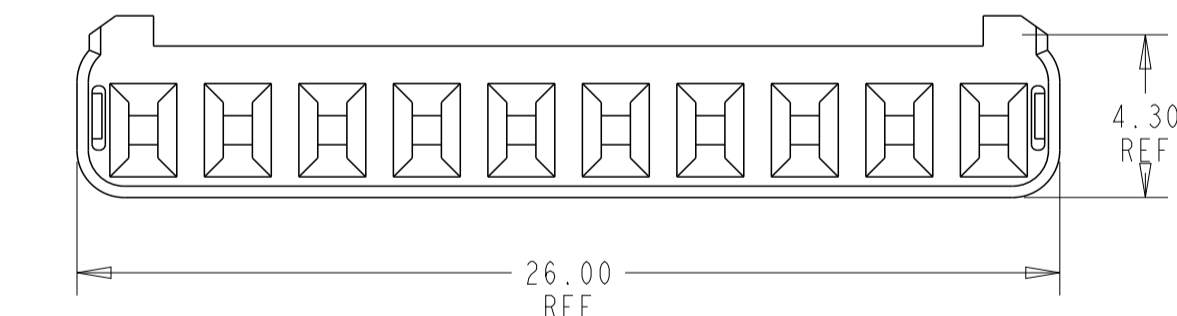
SCALE 5:1



1:4 POSITION

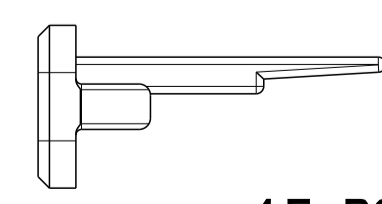
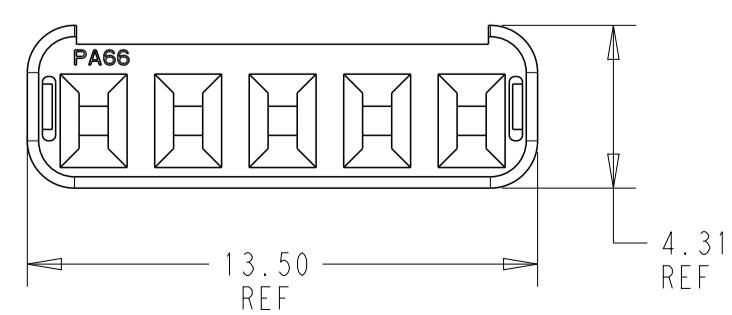
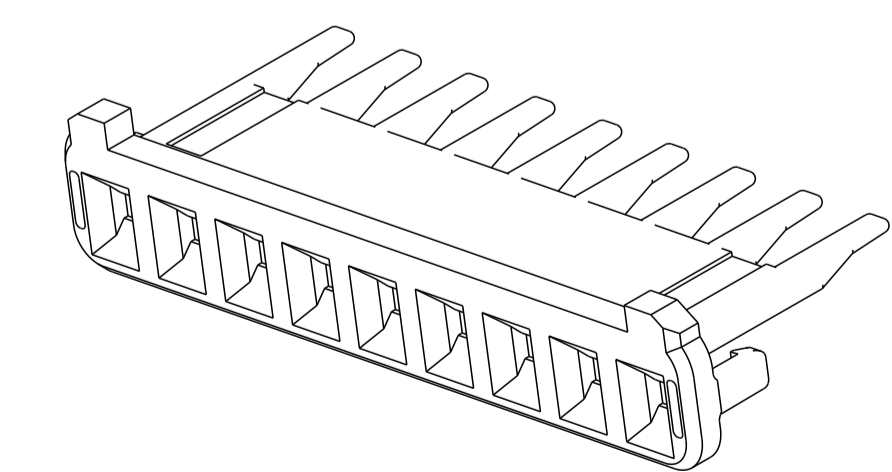
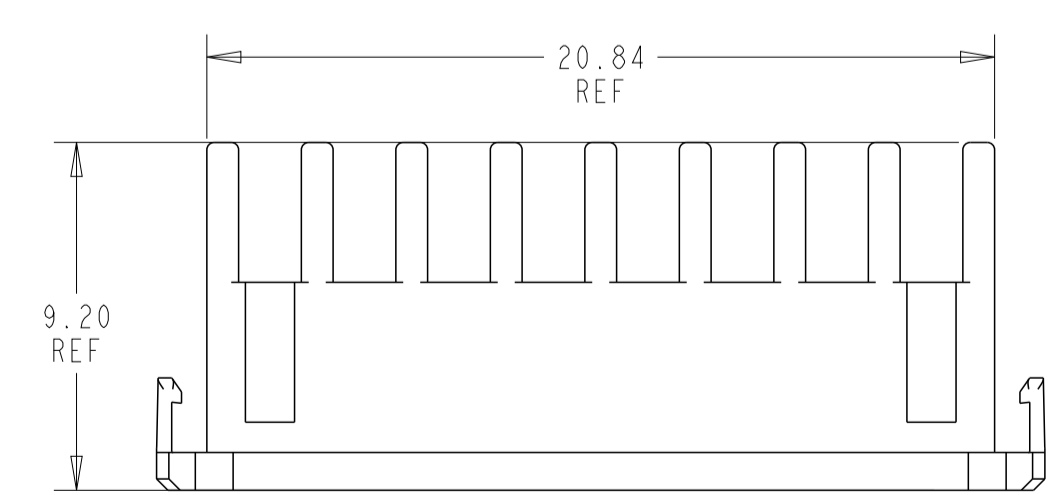
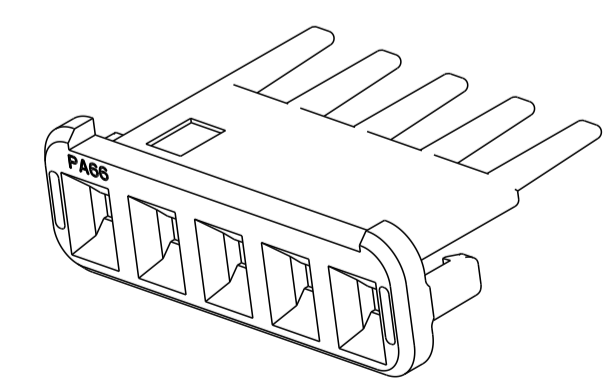
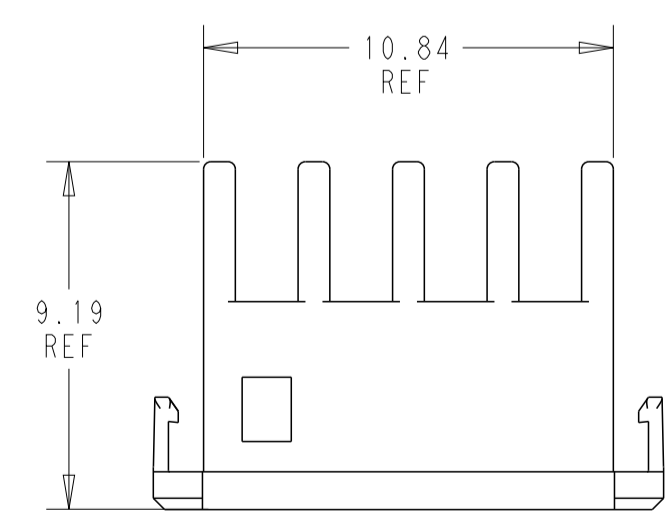


1:8 POSITION

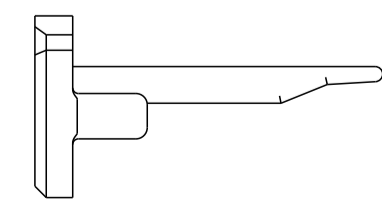
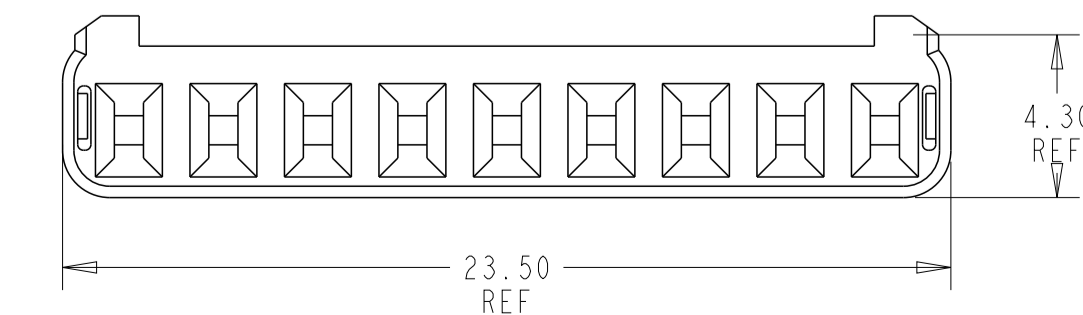


1:10 POSITION

SCALE 5:1



1:5 POSITION



1:9 POSITION

POSITION	PART NUMBER
1*10	1-2321919-0
1*9	2321919-9
1*8	2321919-8
1*7	2321919-7
1*6	2321919-6
1*5	2321919-5
1*4	2321919-4
1*3	2321919-3
1*2	2321919-2

THIS DRAWING IS A CONTROLLED DOCUMENT.

DIMENSIONS:	TOLERANCES UNLESS OTHERWISE SPECIFIED:	OWN: B. WEAVER 05FEB2019	CHK: C. YI 05FEB2019	APVD: C. YI 05FEB2019	NAME: FRONT TPA, PLUG, SDL 2.5 WATERPROOF
mm	0 PLC ± 1 PLC ± 2 PLC ± 3 PLC ± 4 PLC ± ANGLES ±	PRODUCT SPEC	APPLICATION SPEC	SIZE: A1	CAGE CODE: 00779
MATERIAL:	FINISH: -	WEIGHT: -	CUSTOMER DRAWING	SCALE: 5:1	SHEET 1 OF 1

TE Connectivity