

THIS DRAWING IS UNPUBLISHED.

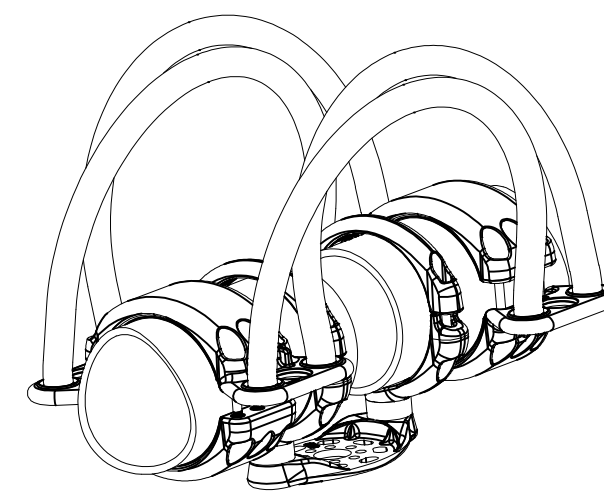
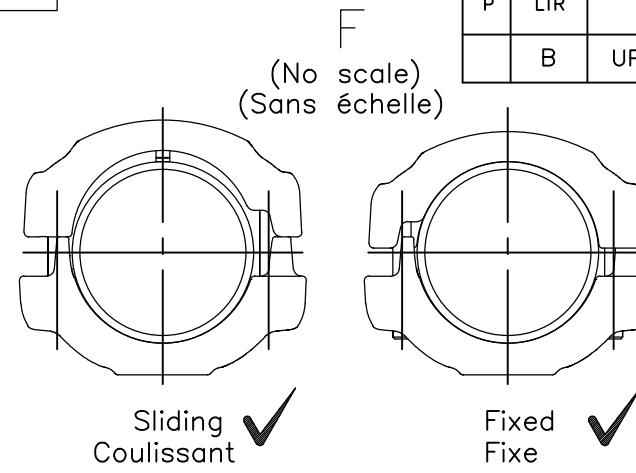
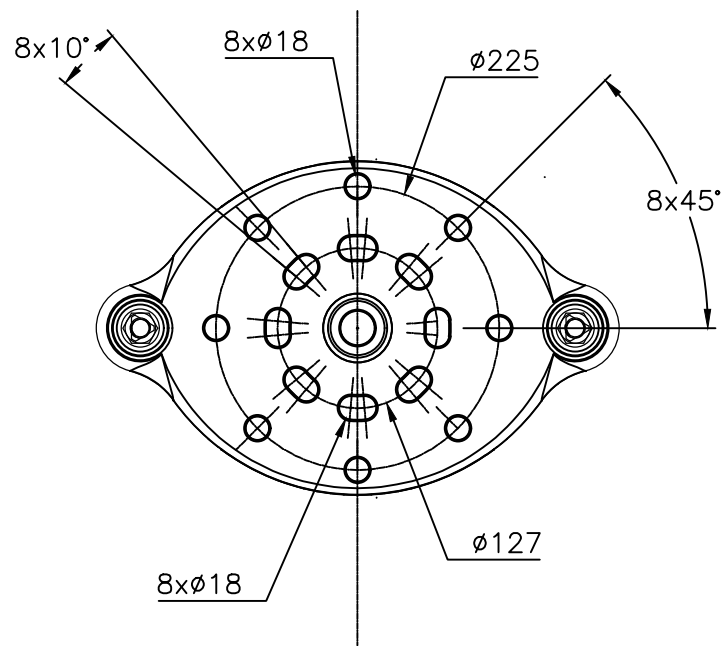
RELEASED FOR PUBLICATION

ALL RIGHTS RESERVED.

© COPYRIGHT - By -

REVISIONS

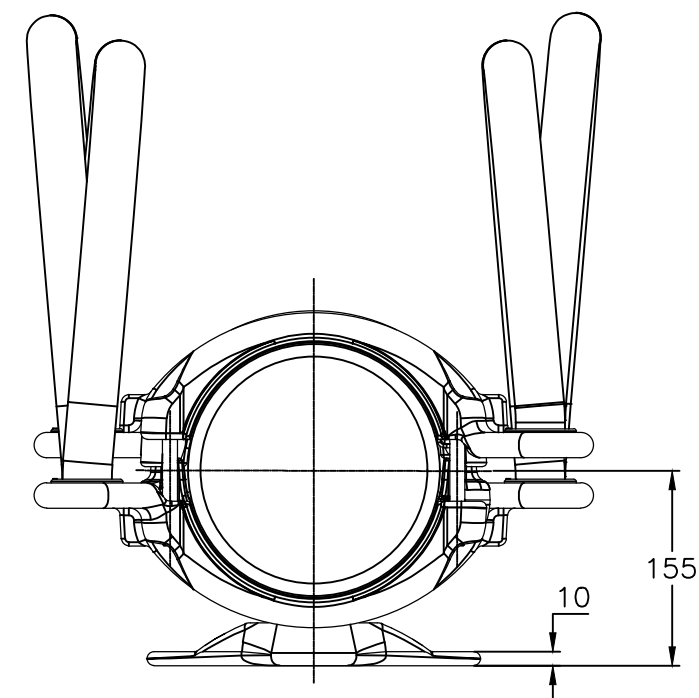
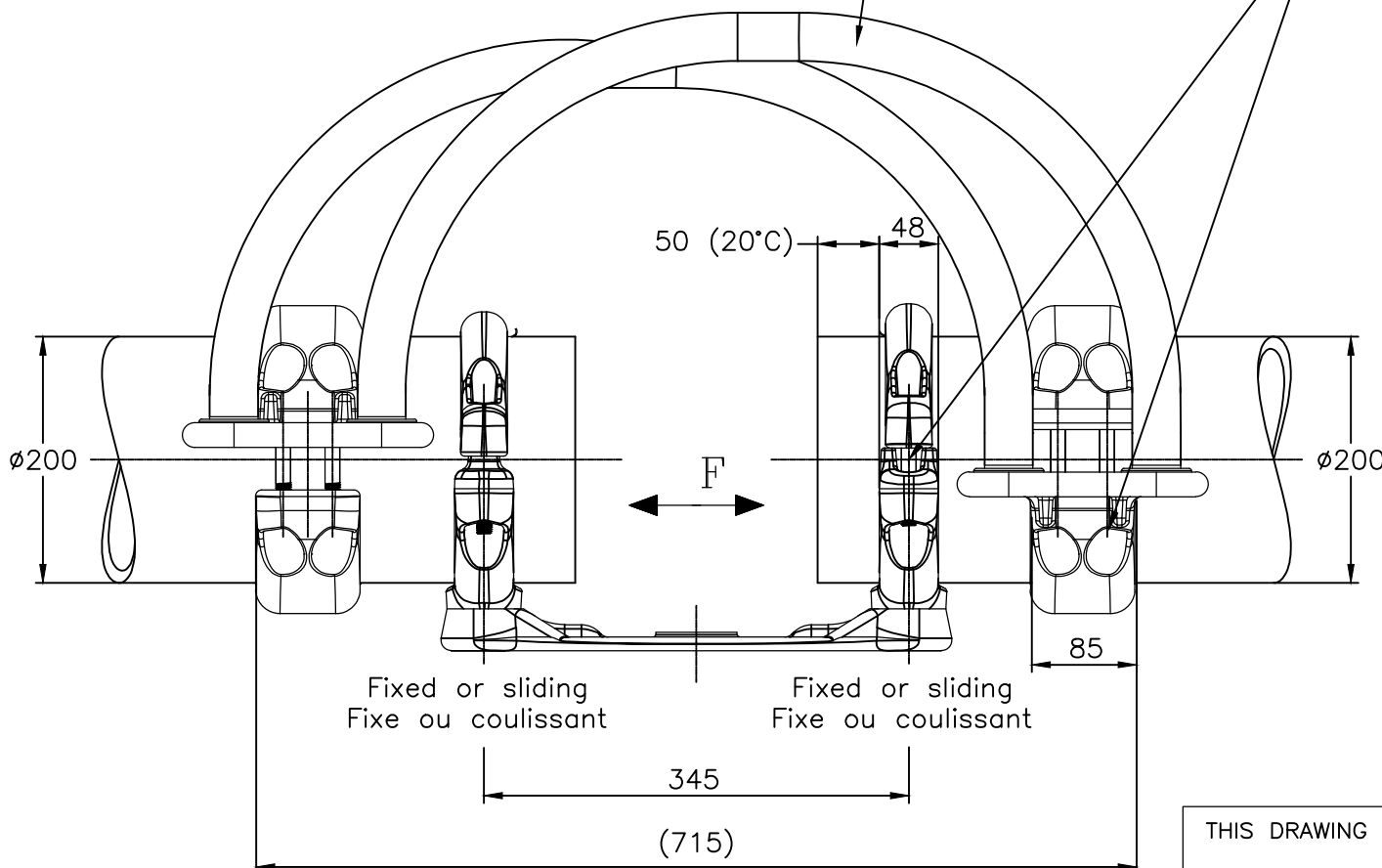
P	LTR	DESCRIPTION	DATE	DWN	APVD
	B	UPDATED DRAWING	10-JUL-18	GL	-



No scale
Sans échelle

M12 Stainless steel bolts A2: 60Nm
Boulons M12 acier inoxydable A2: 60Nm

4x Cables SAL 721



THIS DRAWING IS A CONTROLLED DOCUMENT.		DWN	21-Jun-17	STE TE Connectivity						
		PREVOT	-							
DIMENSIONS: mm		CHK	-	NAME FLEXIBLE JUNCTION BUSBAR SUPPORT ON BPI SUPPORT JUNCTION SOUPLE POUR TUBE SUR ISO						
TOLERANCES UNLESS OTHERWISE SPECIFIED:		APVD	-							
	0 PLC	± -	PRODUCT SPEC	5 TJL 82 P5-P225 TR200 47						
	1 PLC	± -	108-69090-001							
	2 PLC	± -	APPLICATION SPEC	SIZE	CAGE CODE	DRAWING NO	RESTRICTED TO			
	3 PLC	± -	-	A3	00779	©=2321785	-			
MATERIAL		FINISH	APPROX.WEIGHT	27.1 kg	SCALE	1:6	SHEET	1 OF 1	REV	B
-		-	CUSTOMER DRAWING							

ITEM:.....