

THIS DRAWING IS UNPUBLISHED.

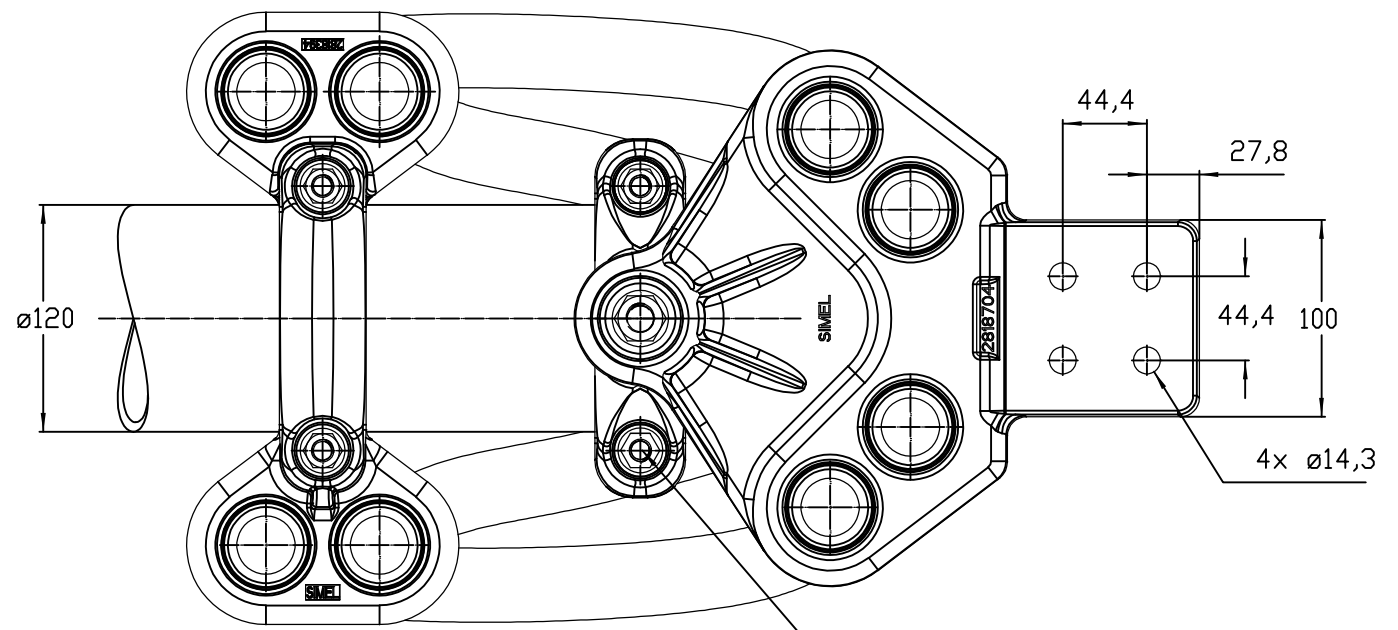
RELEASED FOR PUBLICATION

ALL RIGHTS RESERVED.

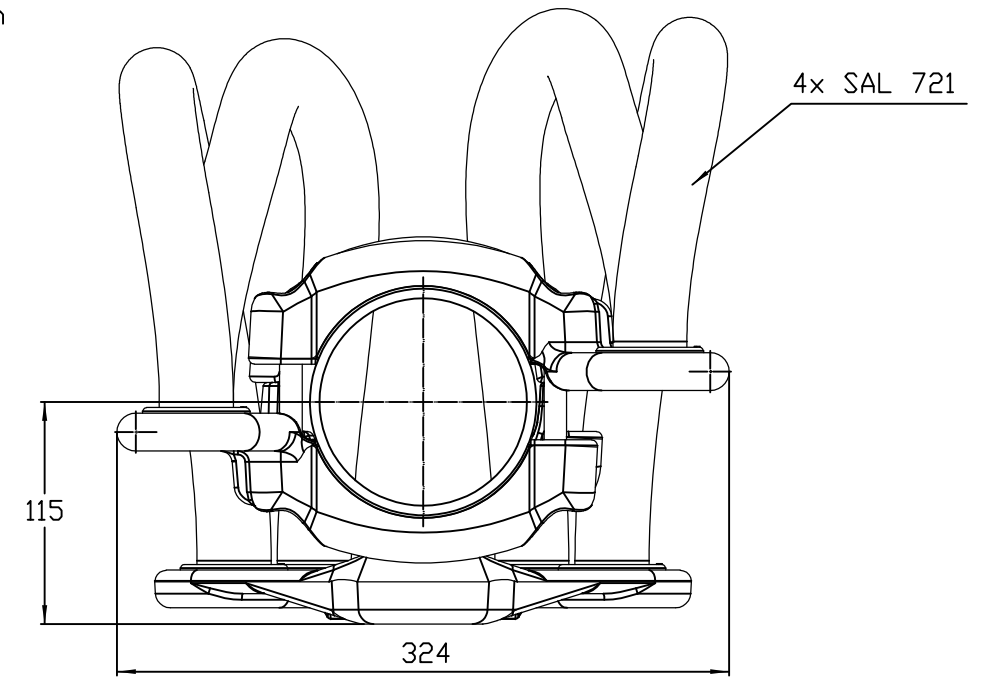
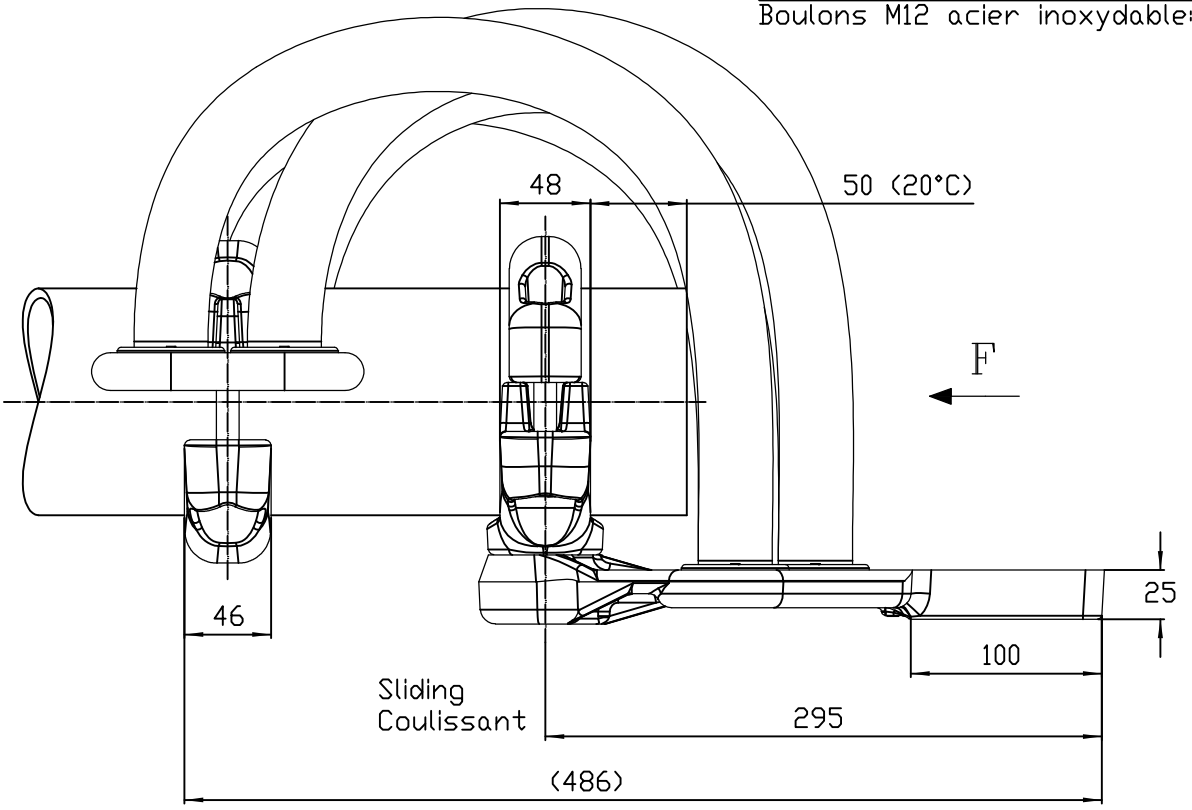
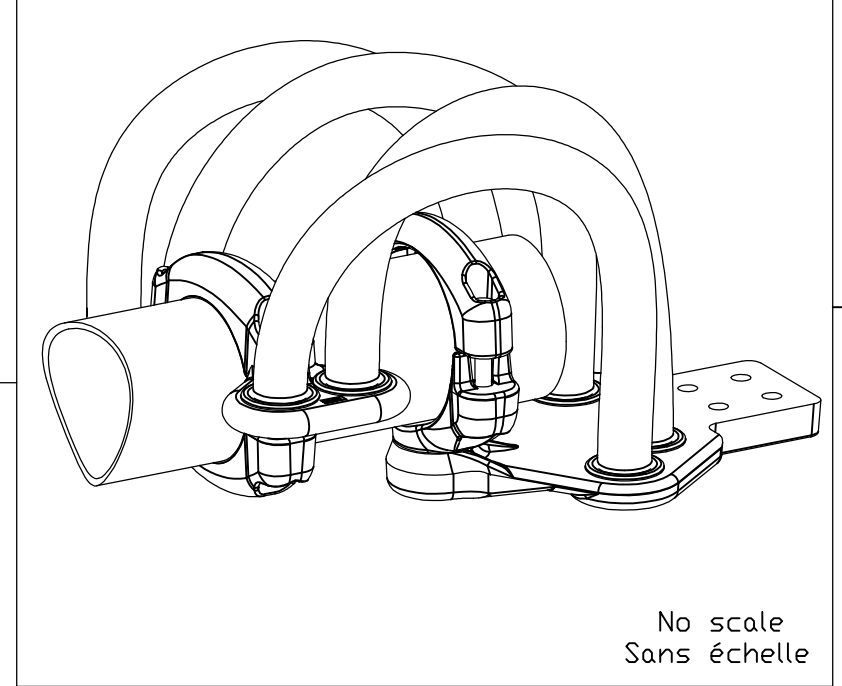
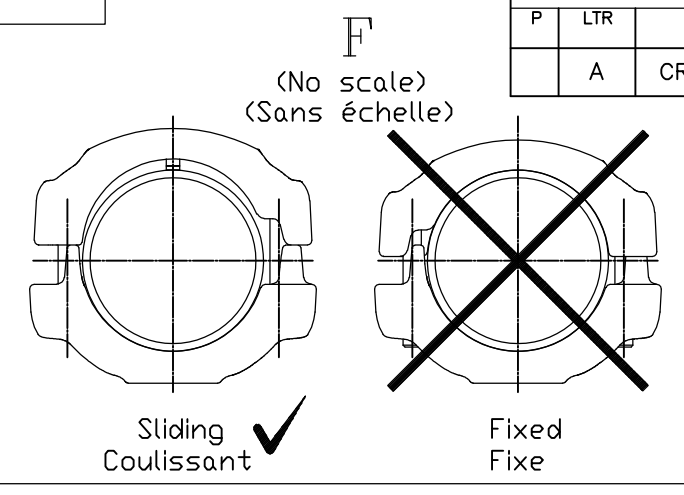
© COPYRIGHT - By -

REVISIONS

P	LTR	DESCRIPTION	DATE	DWN	APVD
	A	CREATION	22-JUN-17	GL	-



M12 Stainless steel bolts: 60Nm
Boulons M12 acier inoxydable: 60Nm



ITEM:.....

THIS DRAWING IS A CONTROLLED DOCUMENT.		DWN LAFORGE 22-JUN-17	STE TE Connectivity	
DIMENSIONS: mm		CHK -		
TOLERANCES UNLESS OTHERWISE SPECIFIED:		APVD -	NAME EXPANSION CONNECTOR FOR TUBE TO PAD	
	0 PLC ± -	PRODUCT SPEC	RACCORD A DILATION POUR TUBE SUR PLAGE	
	1 PLC ± -	108-69090-001	5 TTPDL 82 T120 100 C290 47	
	2 PLC ± -	APPLICATION SPEC	SIZE	CAGE CODE
	3 PLC ± -		A3	00779
4 PLC ± -		APPROX.WEIGHT 11.1 kg	DRAWING NO	RESTRICTED TO
ANGLES ± -		CUSTOMER DRAWING	C=2321549	-
MATERIAL -	FINISH -		SCALE 1:4	SHEET 1 OF 1
			REV A	