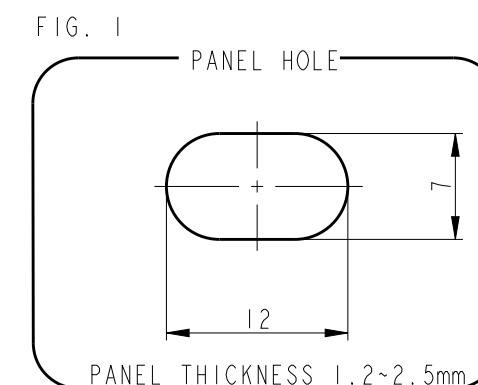
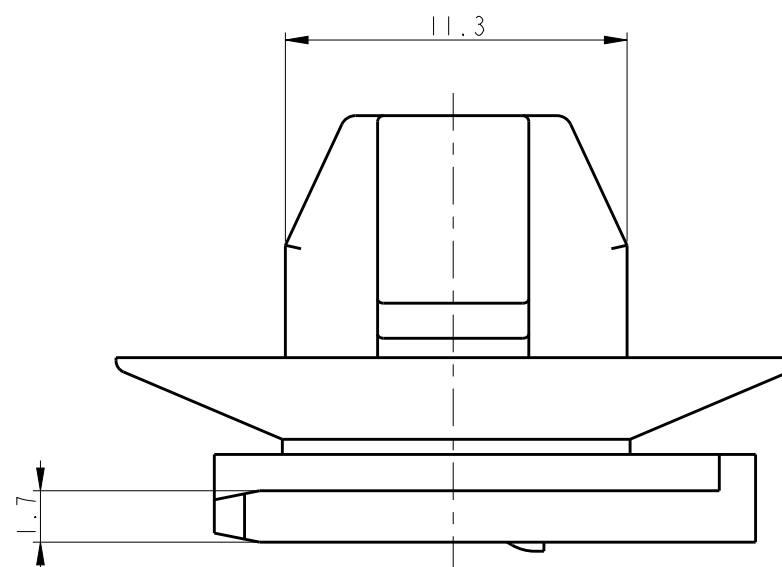
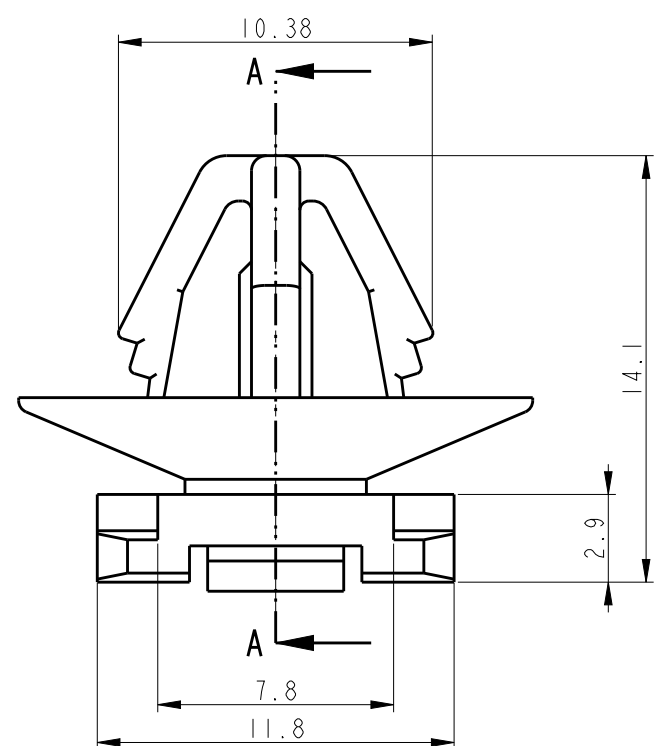
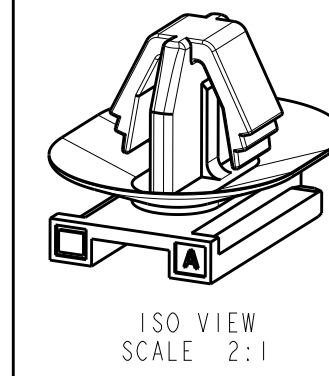
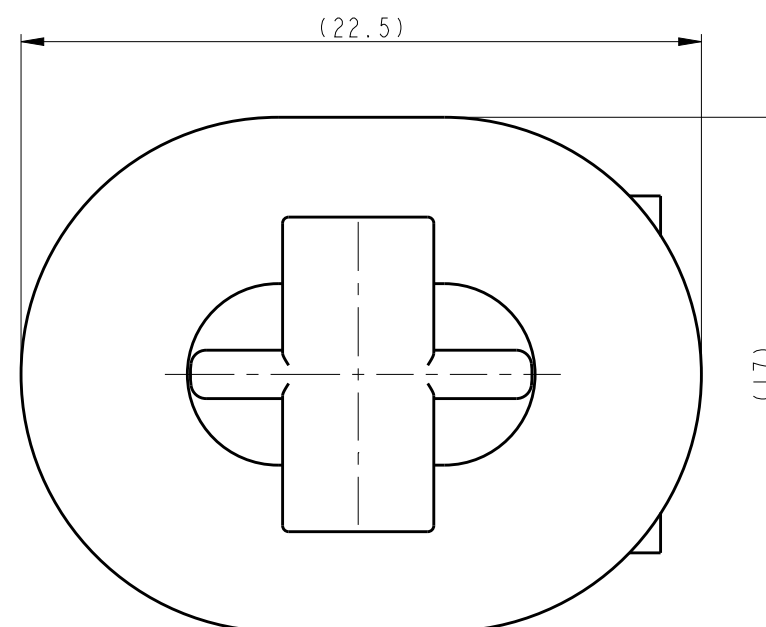
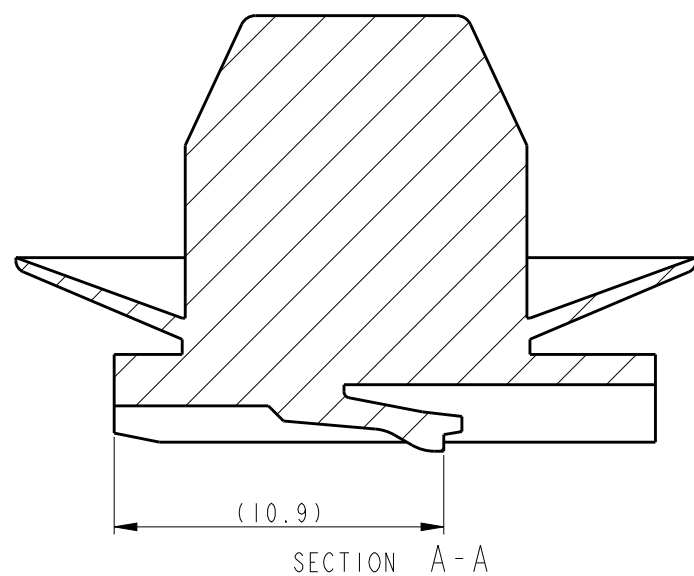


P	LTR	DESCRIPTION	DATE	DWN	APVD
	A	RELEASED	05. JUL. 18	SJ	GC

CLIP PART NUMBER : 2321463-2

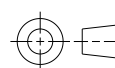


NOTE
 1. GENERAL TOLERANCE: ± 0.3 , $\pm 3.0^\circ$
 2. APPLICATION PANEL SIZE : SEE FIG. 1

PART NO.	DESCRIPTION	MATERIAL	COLOR
2-2321463-1	CLIP HSG	POLYKETONE	NATURAL
1-2321463-2	CLIP HSG	PA66	BLACK
2321463-2	CLIP HSG	PA66	BLACK

THIS DRAWING IS A CONTROLLED DOCUMENT.

DIMENSIONS:
mm



TOLERANCES UNLESS OTHERWISE SPECIFIED

0 PLC	\pm
1 PLC	± 0.5
2 PLC	± 0.13
3 PLC	± 0.013
4 PLC	± 0.0001
ANGLES	\pm

MATERIAL -

FINISH -

DWN

SJ CHOI

CHK

GC KWON

APVD

GC KWON

PRODUCT SPEC

APPLICATION SPEC

WEIGHT -

CUSTOMER DRAWING



TE Connectivity

NAME
SLOT CLIP FOR 025 RF Sealed 7P

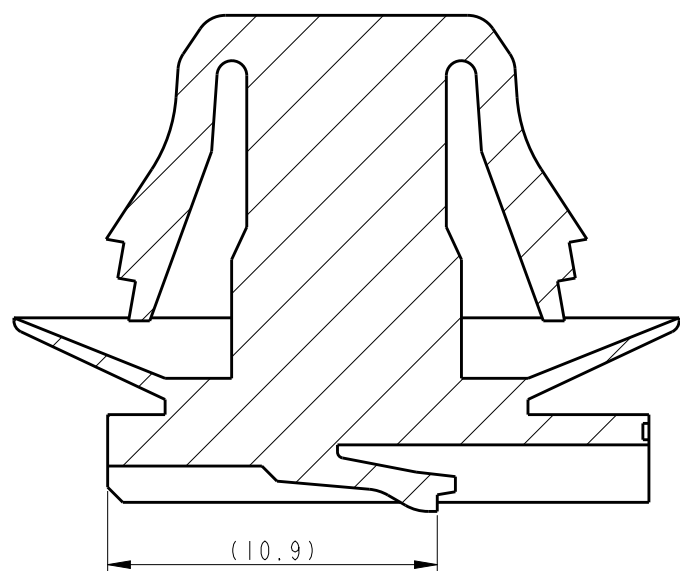
SIZE	CAGE CODE	DRAWING NO	RESTRICTED TO
A3	00779	C=2321463	-

SCALE 4:1

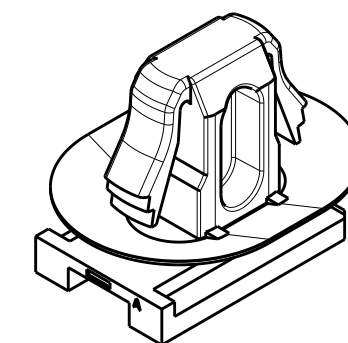
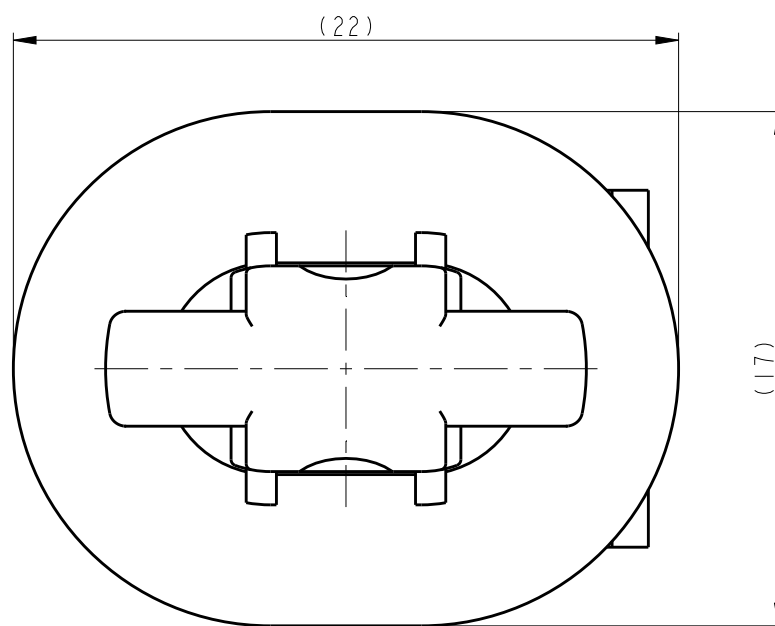
SHEET 1 OF 3 REV A

P	LTR	DESCRIPTION	DATE	DWN	APVD
		SEE SHEET 1			

CLIP PART NUMBER : 1-2321463-2



SECTION A-A



ISO VIEW
SCALE 2:1

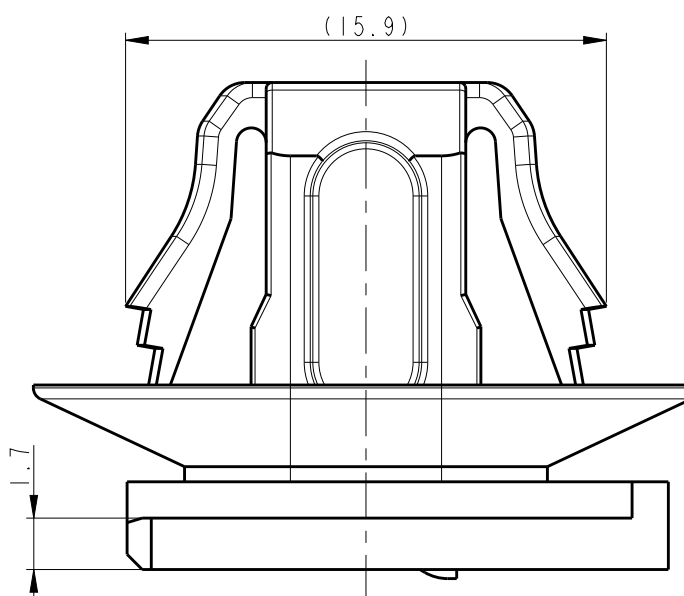
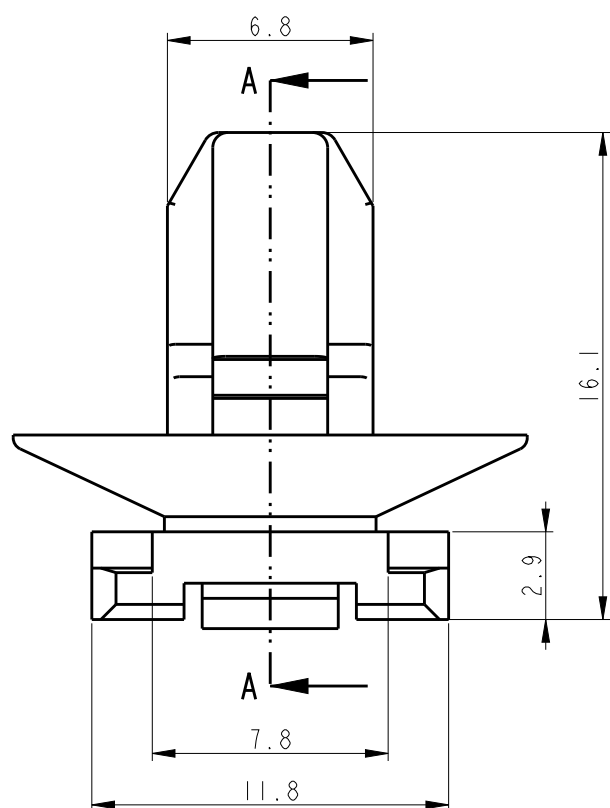
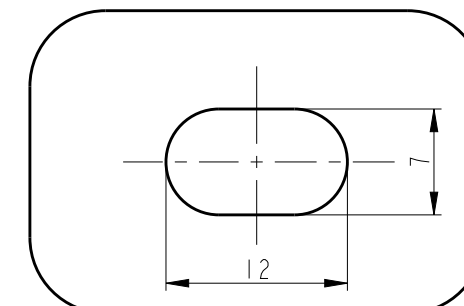


FIG. 1

PANEL HOLE



PANEL THICKNESS 1.8~3.0mm

NOTE
 1. GENERAL TOLERANCE : ± 0.3 , $\pm 3.0^\circ$
 2. APPLICATION PANEL SIZE : SEE FIG. 1

THIS DRAWING IS A CONTROLLED DOCUMENT.

DIMENSIONS:
mm



TOLERANCES UNLESS OTHERWISE SPECIFIED:

0 PLC	\pm	-
1 PLC	\pm	0.5
2 PLC	\pm	0.13
3 PLC	\pm	0.013
4 PLC	\pm	0.0001
ANGLES	\pm	-

MATERIAL -

FINISH -

DWN SJ CHOI
 CHK GC KWON
 APVD GC KWON
 PRODUCT SPEC -
 APPLICATION SPEC -
 WEIGHT -



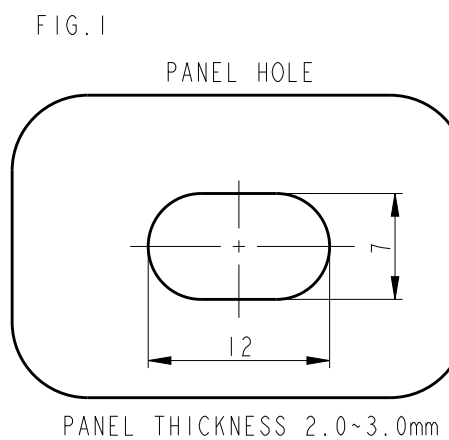
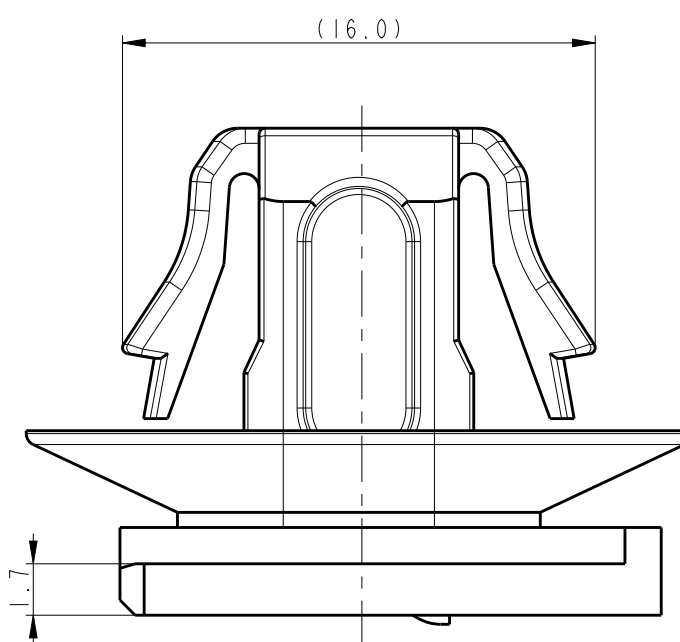
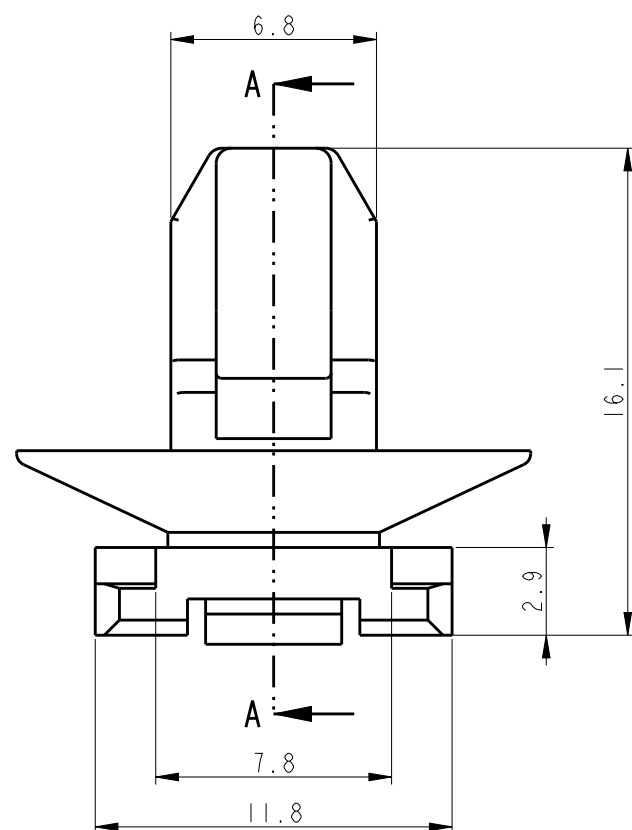
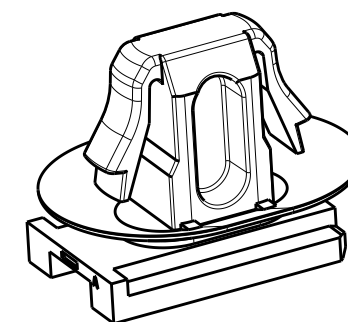
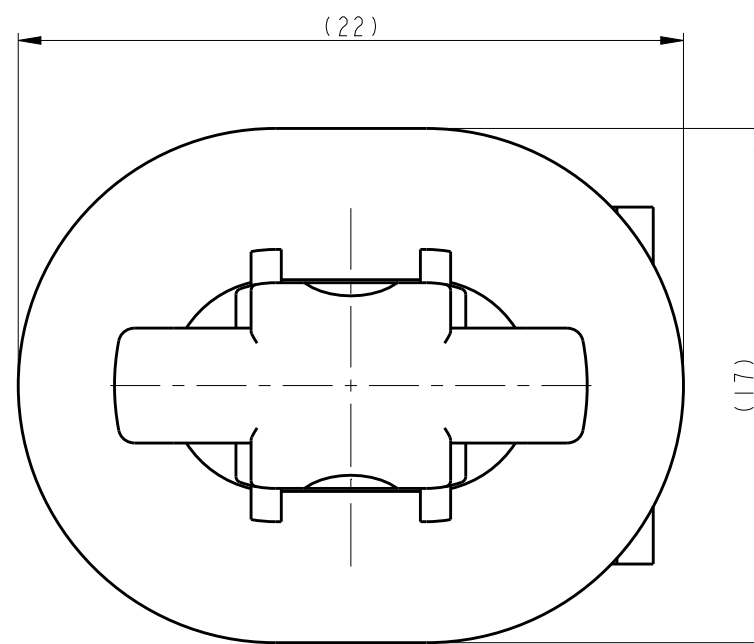
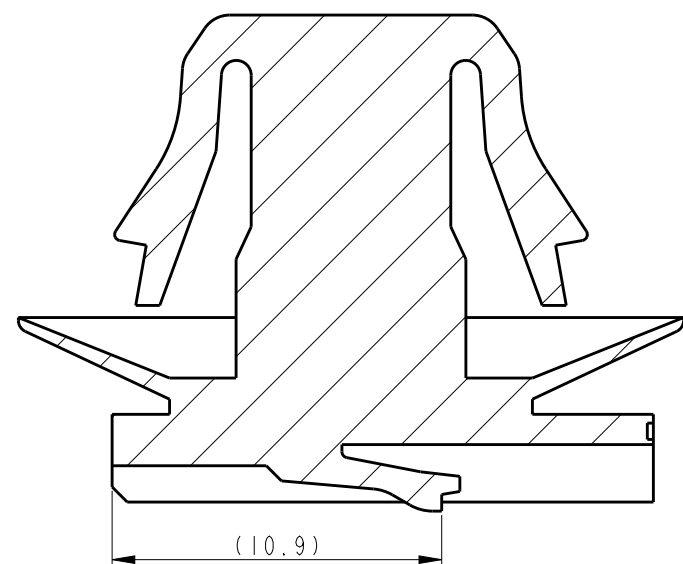
NAME SLOTTED CLIP FOR 025 RF Sealed 7P

SIZE A3 CAGE CODE 00779 DRAWING NO. 2321463 RESTRICTED TO -

CUSTOMER DRAWING SCALE 4:1 SHEET 2 OF 3 REV A

P	LTR	DESCRIPTION	DATE	DWN	APVD
		SEE SHEET 1			

CLIP PART NUMBER : 2-2321463-1



NOTE

1. GENERAL TOLERANCE : ± 0.3 , $\pm 3.0^\circ$

2. APPLICATION PANEL SIZE : SEE FIG. 1

THIS DRAWING IS A CONTROLLED DOCUMENT.		DWN	SJ CHOI	
DIMENSIONS:		CHK	GC KWON	
mm	TOLERANCES UNLESS OTHERWISE SPECIFIED:	APVD	GC KWON	
	0 PLC	±	-	
	1 PLC	±	0.5	
	2 PLC	±	0.13	
	3 PLC	±	0.013	
	4 PLC	±	0.0001	
MATERIAL		FINISH	-	
		APVD	-	
		PRODUCT SPEC	-	
		APPLICATION SPEC	-	
		WEIGHT	-	
		CUSTOMER DRAWING	-	
		NAME	SLOT CLIP FOR 025 RF Sealed 7P	
SIZE	CAGE CODE	DRAWING NO	RESTRICTED TO	
A3	00779	2321463	-	
		SCALE	SHEET	REV
		4:1	3 OF 3	A