

THIS DRAWING IS UNPUBLISHED.

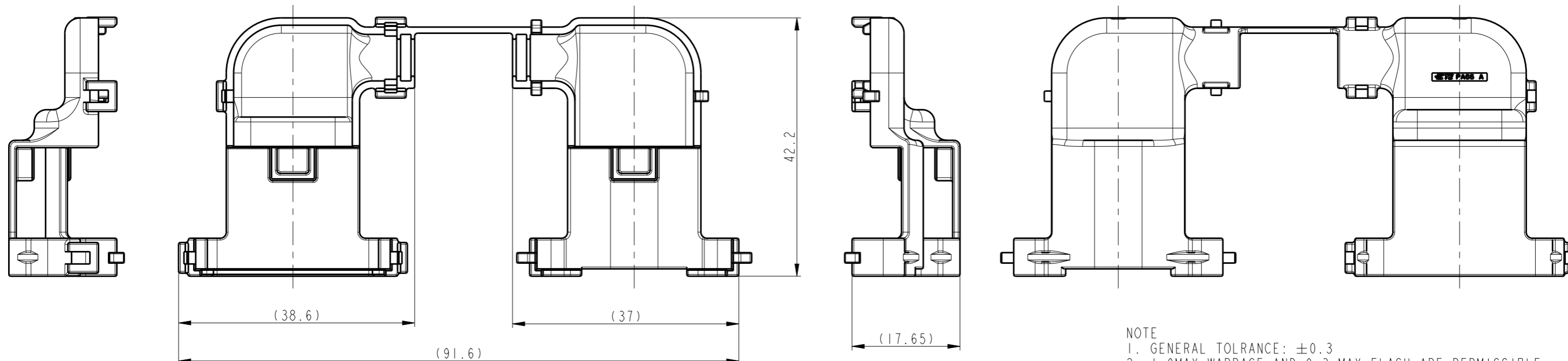
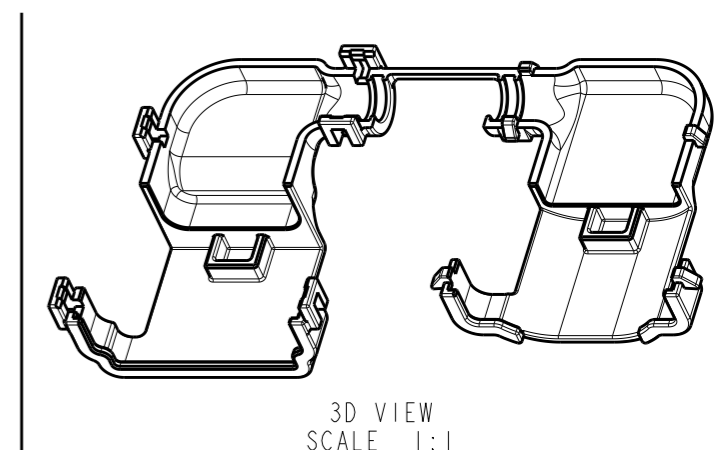
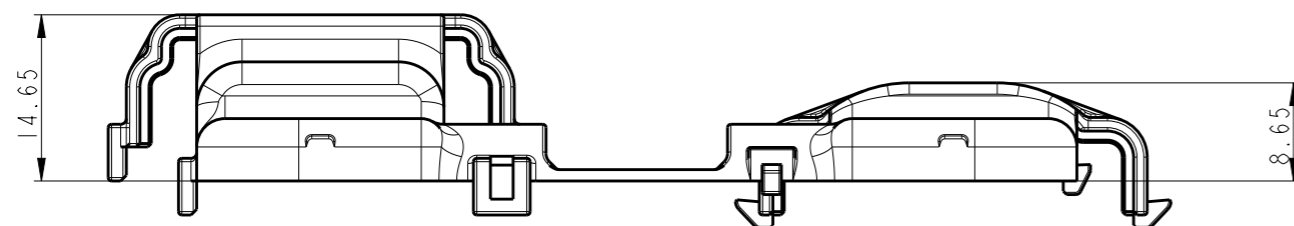
RELEASED FOR PUBLICATION

20

© COPYRIGHT 20 BY - ALL RIGHTS RESERVED.

REVISIONS

P	LTR	DESCRIPTION	DATE	DWN	APVD
	A	RELEASED	23JAN2018	CH	YJ



- NOTE
1. GENERAL TOLRANCE: ± 0.3
 2. 1.0MAX WARPAGE AND 0.3 MAX FLASH ARE PERMISSIBLE.
 3. APPLICATED CONNECTOR : 1534229
APPLICATED CORRUGATE TUBE : $\varnothing 5$

I	BLACK	PA66	MQS8P_COVER	2321138-2
NO	COLOR	MATERIAL	DESCRIPTION	P/N

THIS DRAWING IS A CONTROLLED DOCUMENT.

DIMENSIONS:	TOLERANCES UNLESS OTHERWISE SPECIFIED:
mm	
	0 PLC \pm
	1 PLC \pm
	2 PLC \pm
	3 PLC \pm
	4 PLC \pm
	ANGLES \pm

MATERIAL: TBD

FINISH: N/A

DWN: CH CHO

CHK: DG JEONG

APVD: YJ YOUN

PRODUCT SPEC: -

APPLICATION SPEC: -

WEIGHT: 4.19g

STE TE Connectivity

NAME: MQS8P_COVER_HSG

SIZE	CAGE CODE	DRAWING NO	RESTRICTED TO
A3	00779	C-2321138	-

CUSTOMER DRAWING SCALE 3:2 SHEET 1 OF 1 REV A