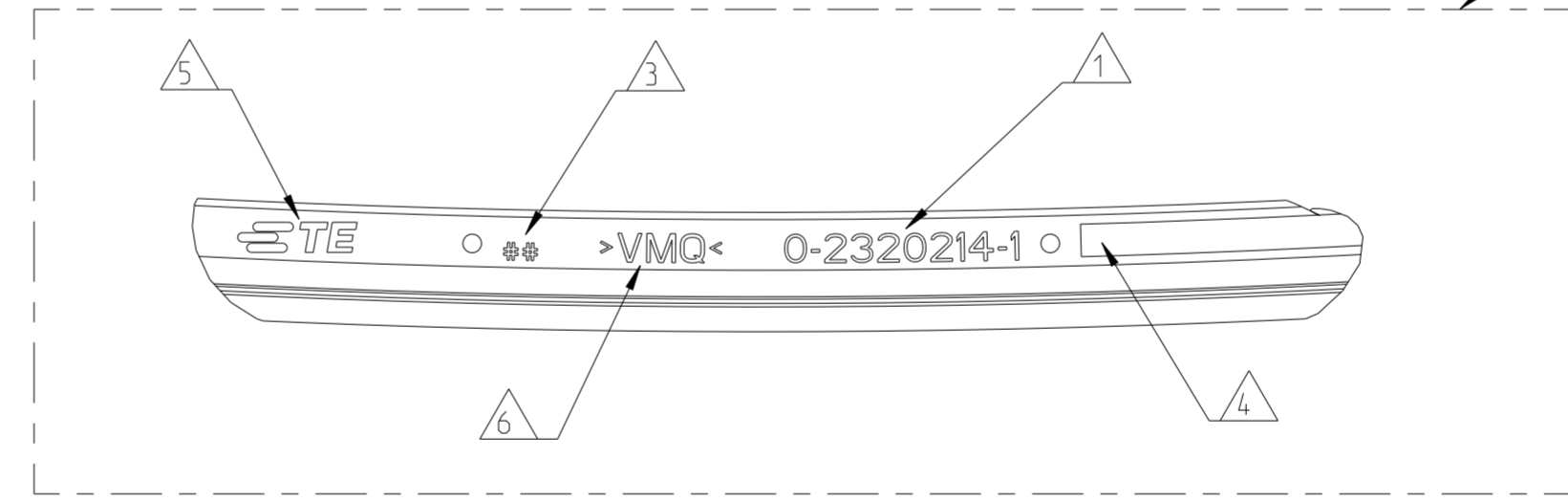
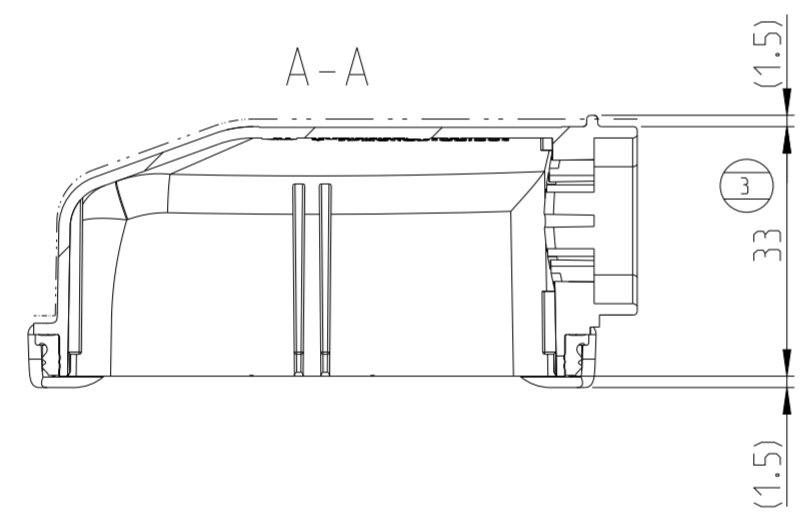
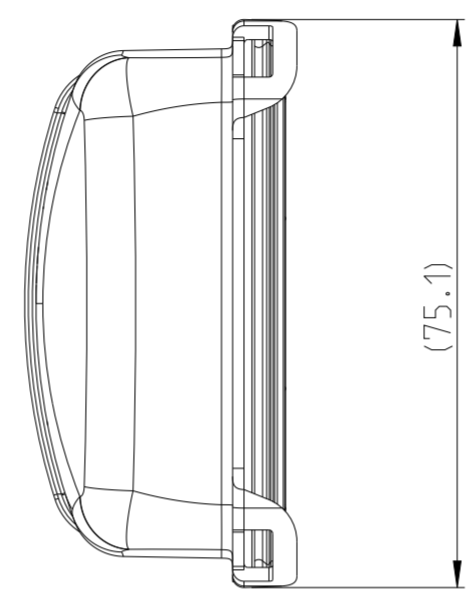
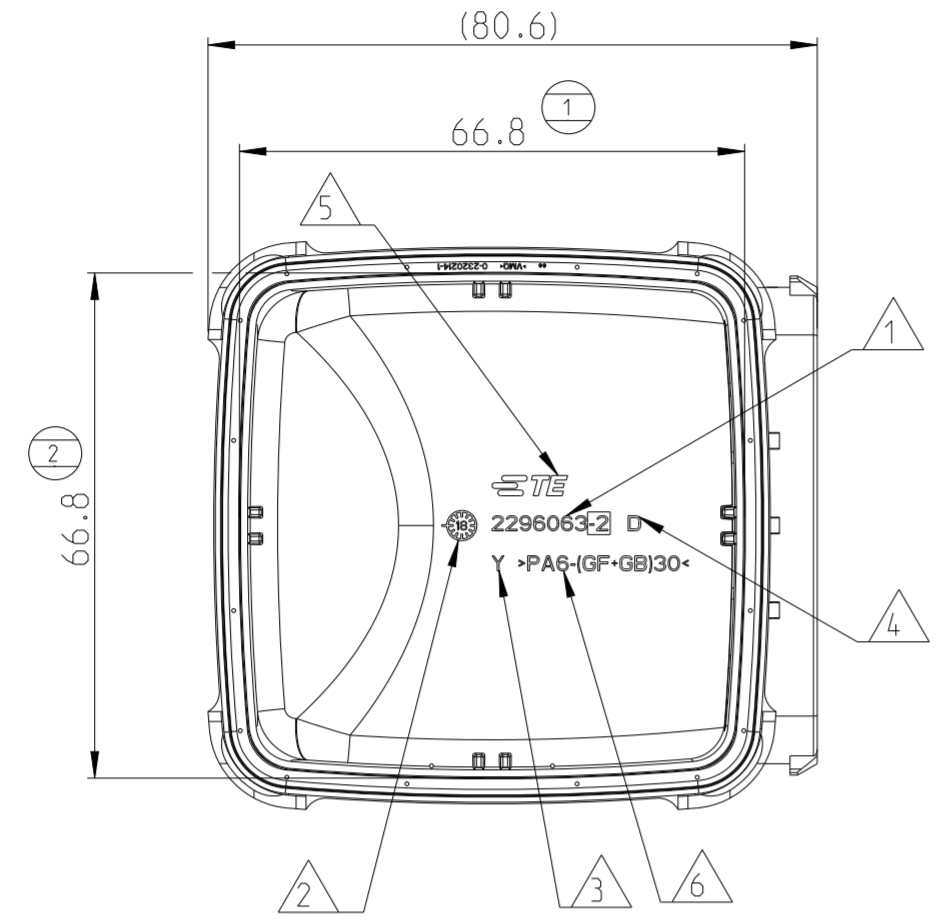


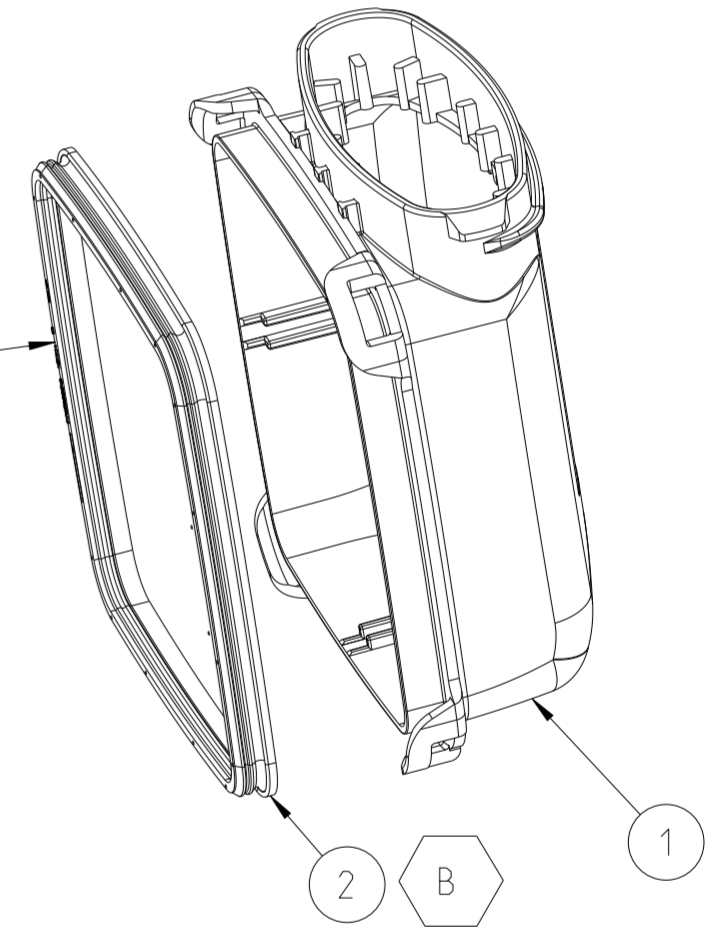
REVISIONS					
P	LTR	DESCRIPTION	DATE	DWN	APVD
A		INITIAL RELEASE	22JUN2018	AHM	BD
A1		UPDATE	02OCT2018	EC	BD
A2		PILOT PN 9- OBSOLETE	04APR2022	EC	BD
B		SEAL MATERIAL CHANGE	10OCT2022	EC	BD

NOTES

- 1 TE SINGLE COMPONENT PART NUMBERS = P/N
- 2 PRODUCTION DATE WITH DATE INSERT MONTH/YEAR (NOT FOR SEAL)
- 3 CAVITY MARKING (BY FIGURE ON COVER, BY DOT ON SEAL)
- 4 PART REVISION (BY LETTER ON COVER, BY DOT ON SEAL)
- 5 TE-TRADEMARK (NOT FOR PILOT SEAL)
- 6 MATERIAL MARKING
- 7 PACKAGING ACCORDING TO SPEC. 107-15764
- 8 COMPONENT OUT OF PILOT PROCESS/TOOL



P/N 2320073-1 AS SHOWN



8 1	1	PERIPHERAL SEAL	2	VMQ (SILICONE RUBBER)	LIGHT BLUE
1	1	CABLE EXIT, RECT 90DEG	1	PA6 GF10+GB20	ORANGE
8 9-2320073-1	2320073-1	DESCRIPTION	ITEM NO	MATERIAL	SURFACE/COLOR
A	B B	REVISION OF EACH ASSEMBLY			

TE P/N AND QUANTITY PER ASSEMBLY		COMPONENT			
THIS DRAWING IS A CONTROLLED DOCUMENT.		DWN	15MAY2017		
DIMENSIONS: mm		CHK	Aravind H.M. 15MAY2017		
TOLERANCES UNLESS OTHERWISE SPECIFIED:		APVD	Vishwa A 22FEB2018		
0 PLC ±		APVD	B. Dupont 22FEB2018		
1 PLC ±		PRODUCT SPEC	-		
2 PLC ± 0.5		APPLICATION SPEC	-		
3 PLC ±		WEIGHT	28g		
4 PLC ±		SIZE	A2		
ANGLES ± 2°		CAGE CODE	00779		
FINISH		DRAWING NO	C-2320073		
MATERIAL SEE TABLE		RESTRICTED TO	-		
-		SCALE	1:1		
-		SHEET	1 OF 1		
-		REV	B		



COVER ASSY, CABLE EXIT, 90DEG