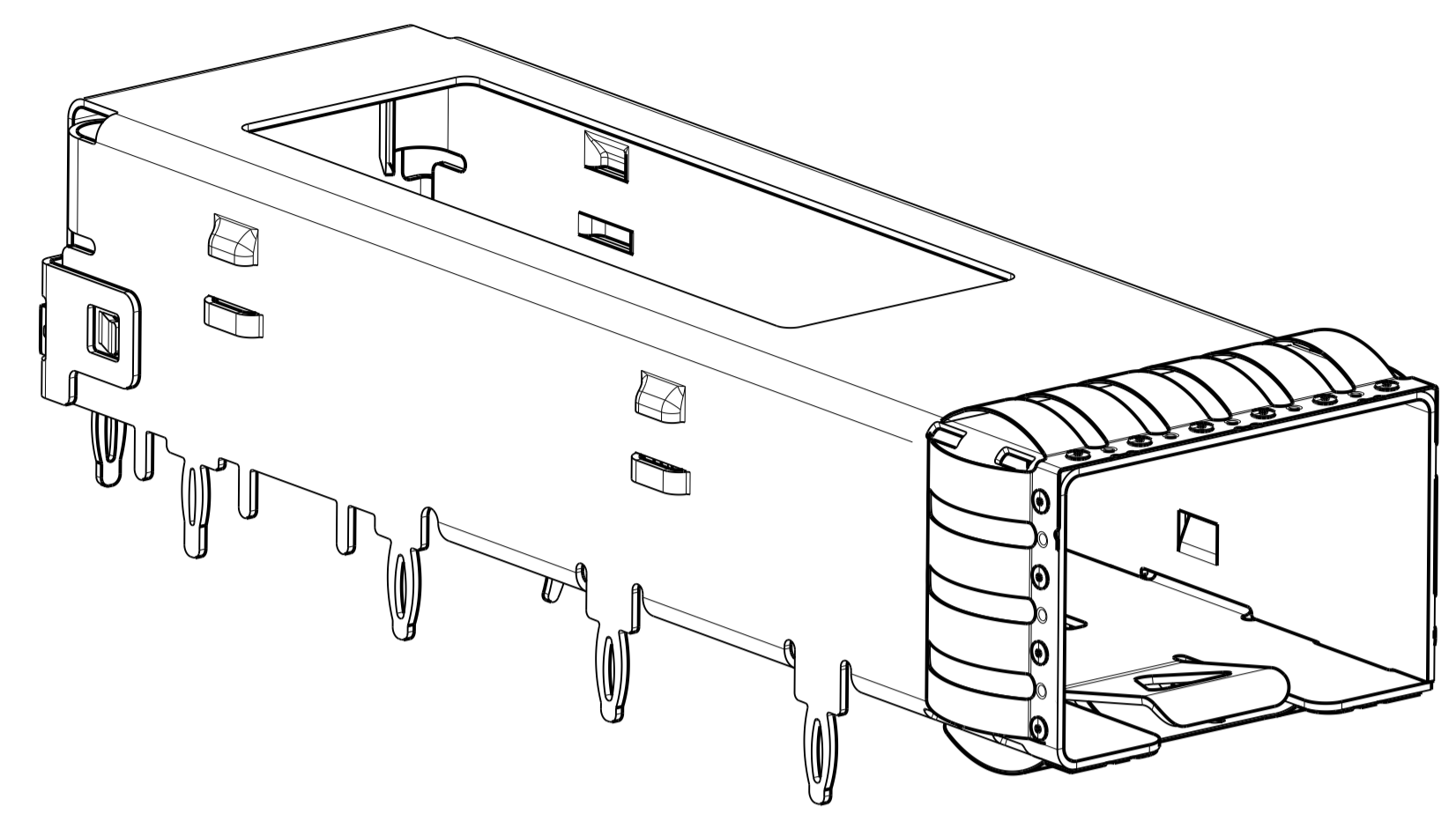
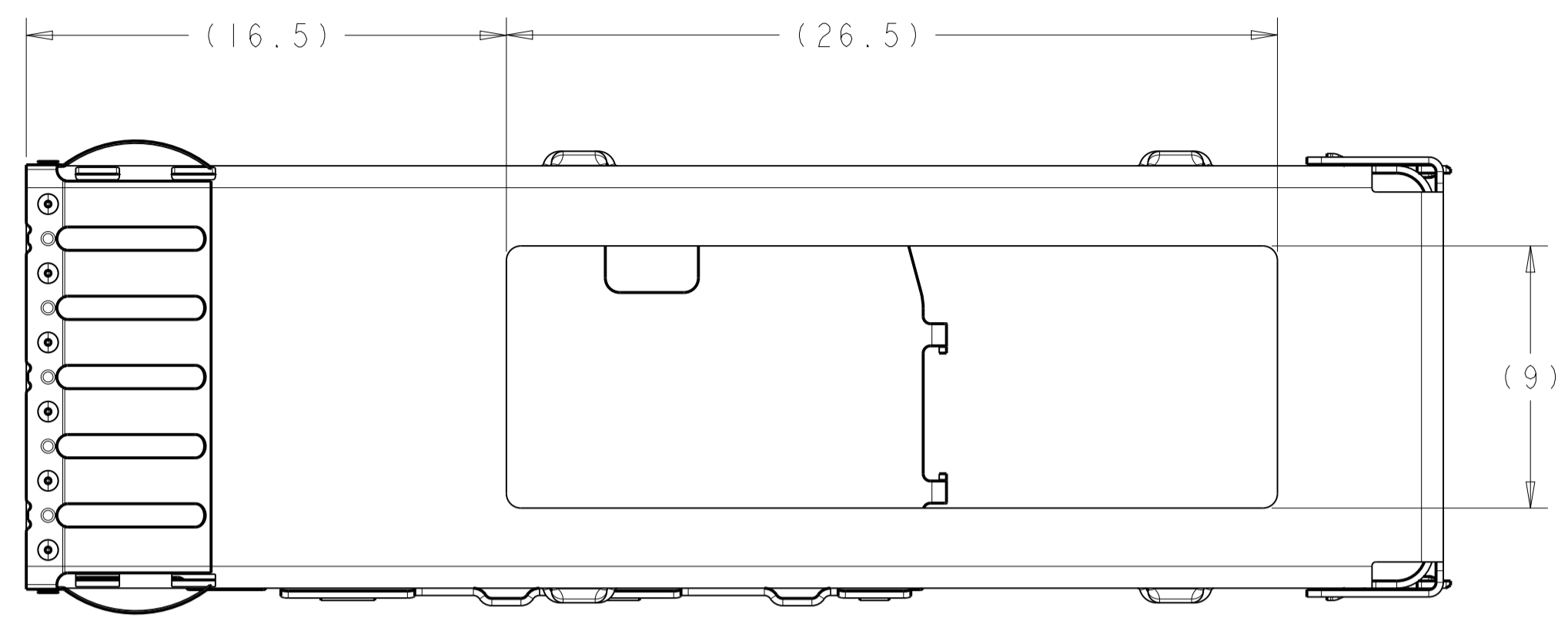


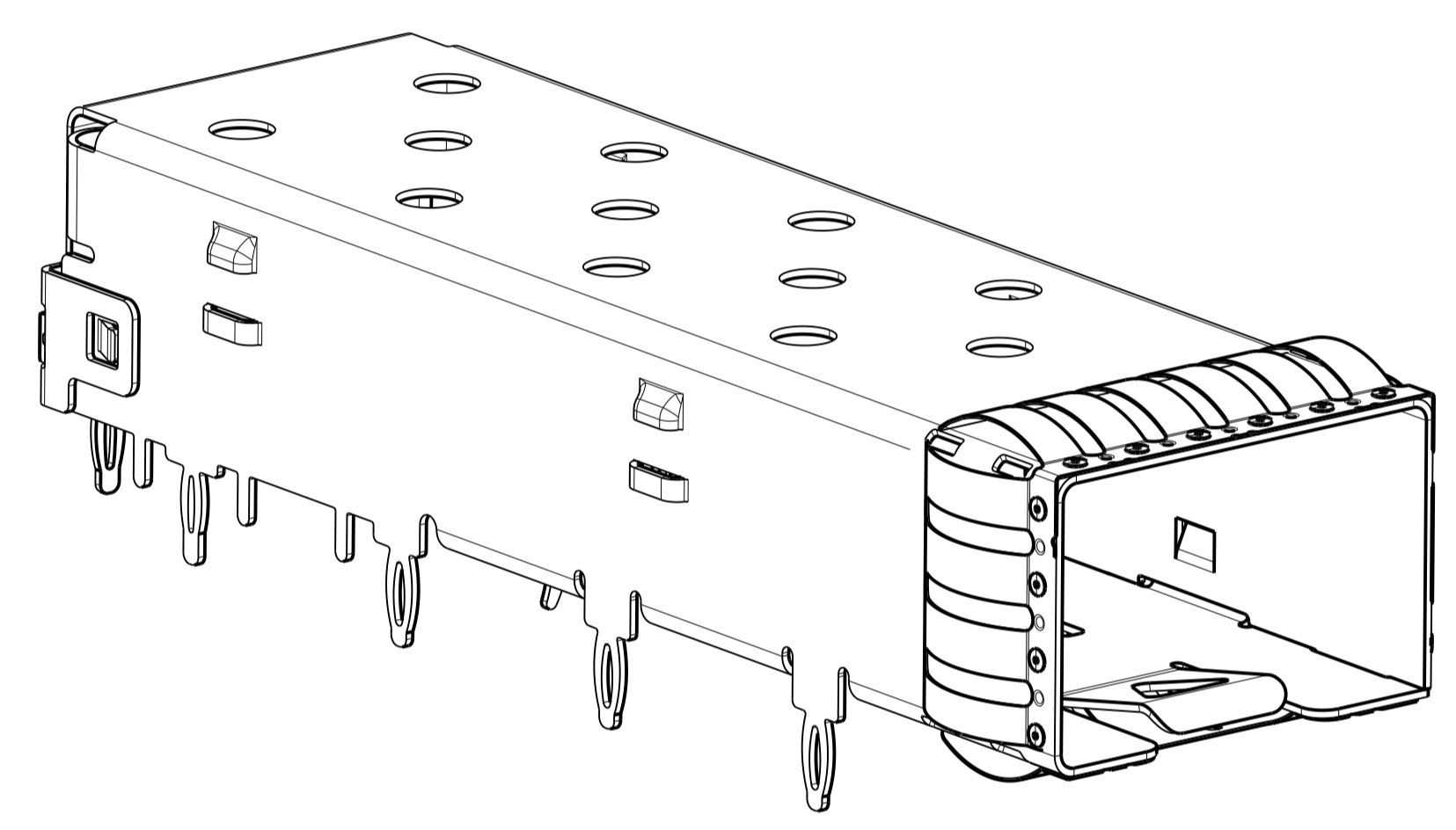
LOC		DIST		REVISONS			
GP	00	P	LTN	DESCRIPTION	DATE	DWN	APVD
		B		REVISED PER ECO-21-000648	19JAN2021	JY	SZ



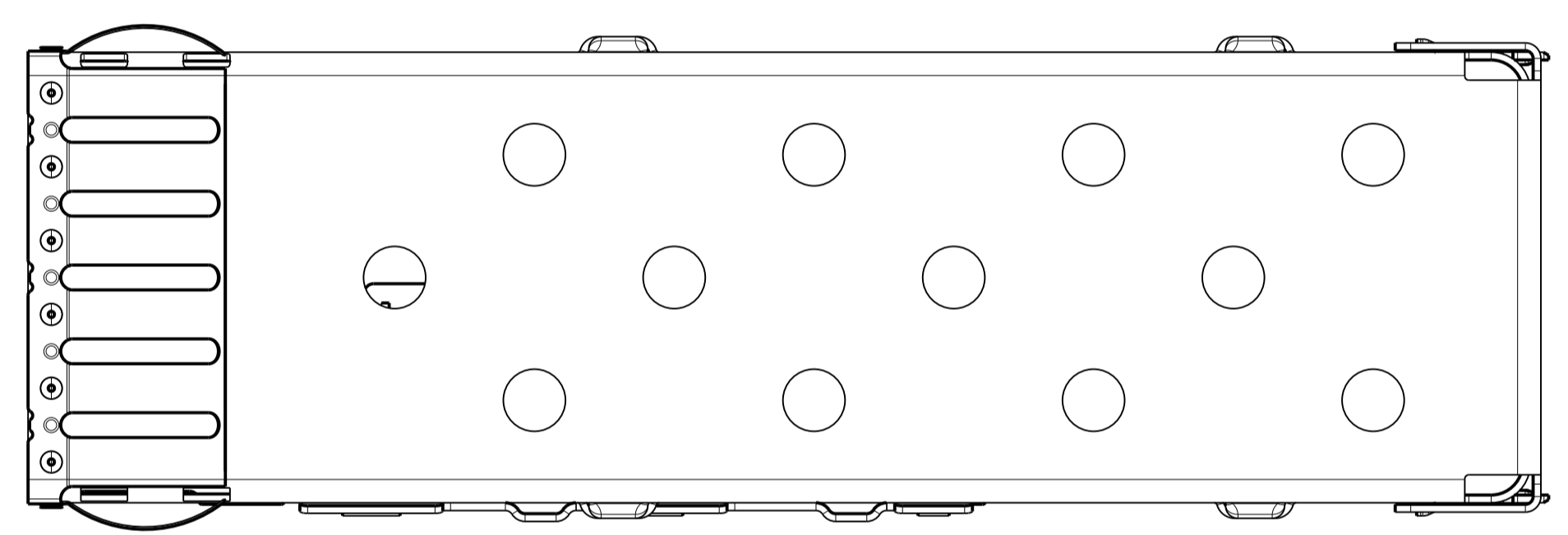
2317434-2 AS SHOWN



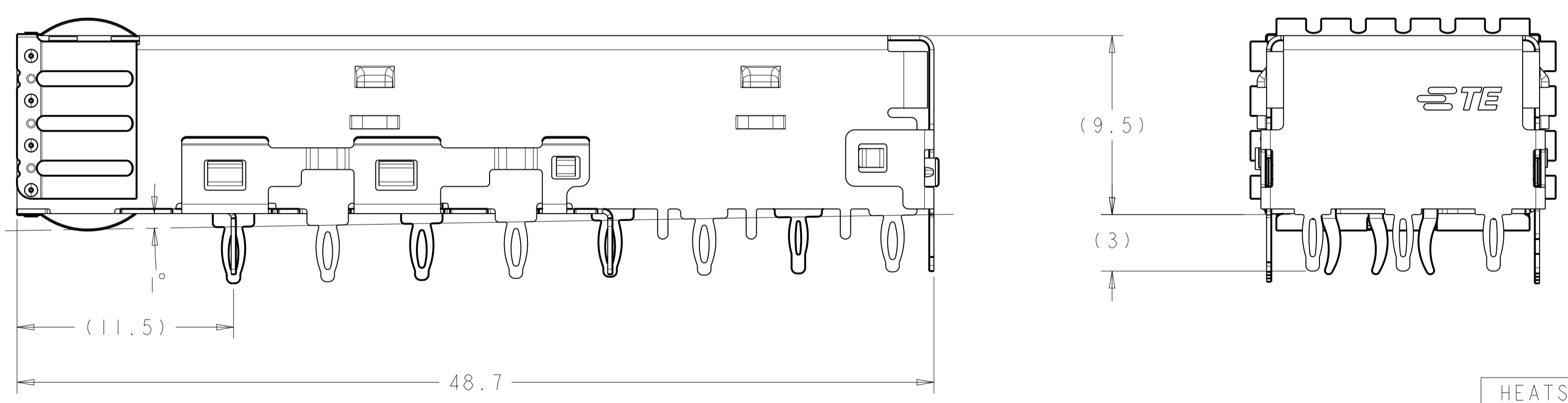
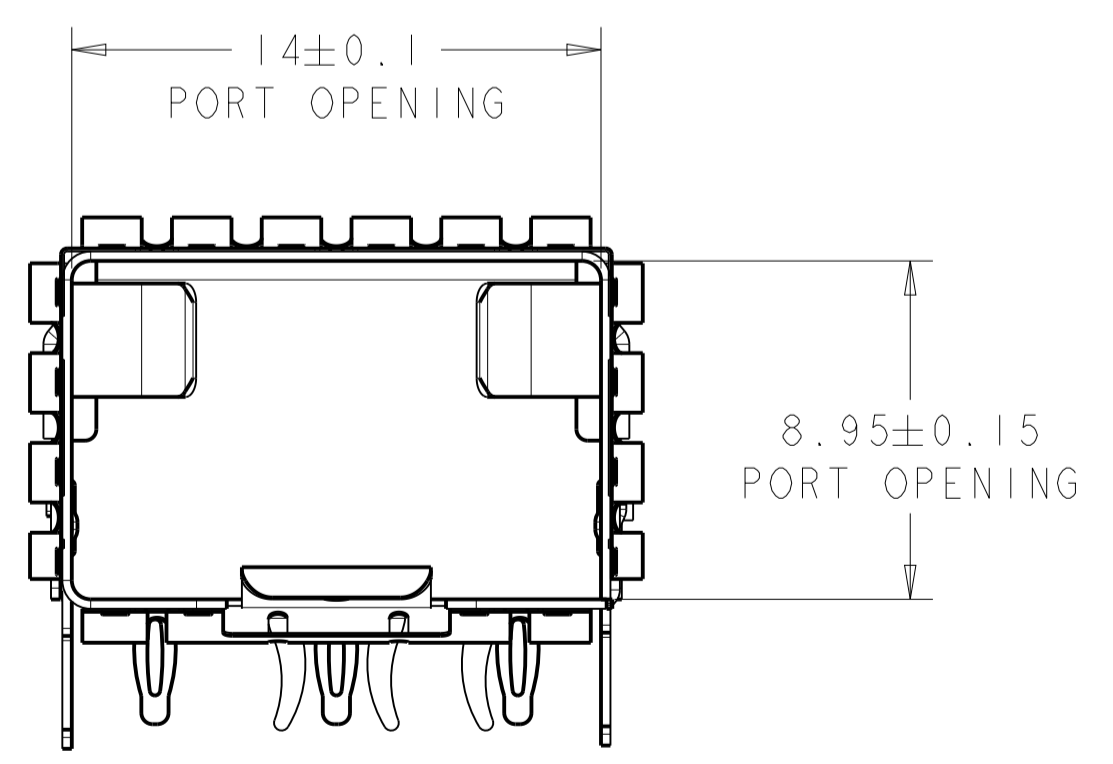
2317434-2 TOP VIEW  
 SAME AS -1 EXCEPT AS SHOWN



2317434-1 AS SHOWN



2317434-1 TOP VIEW

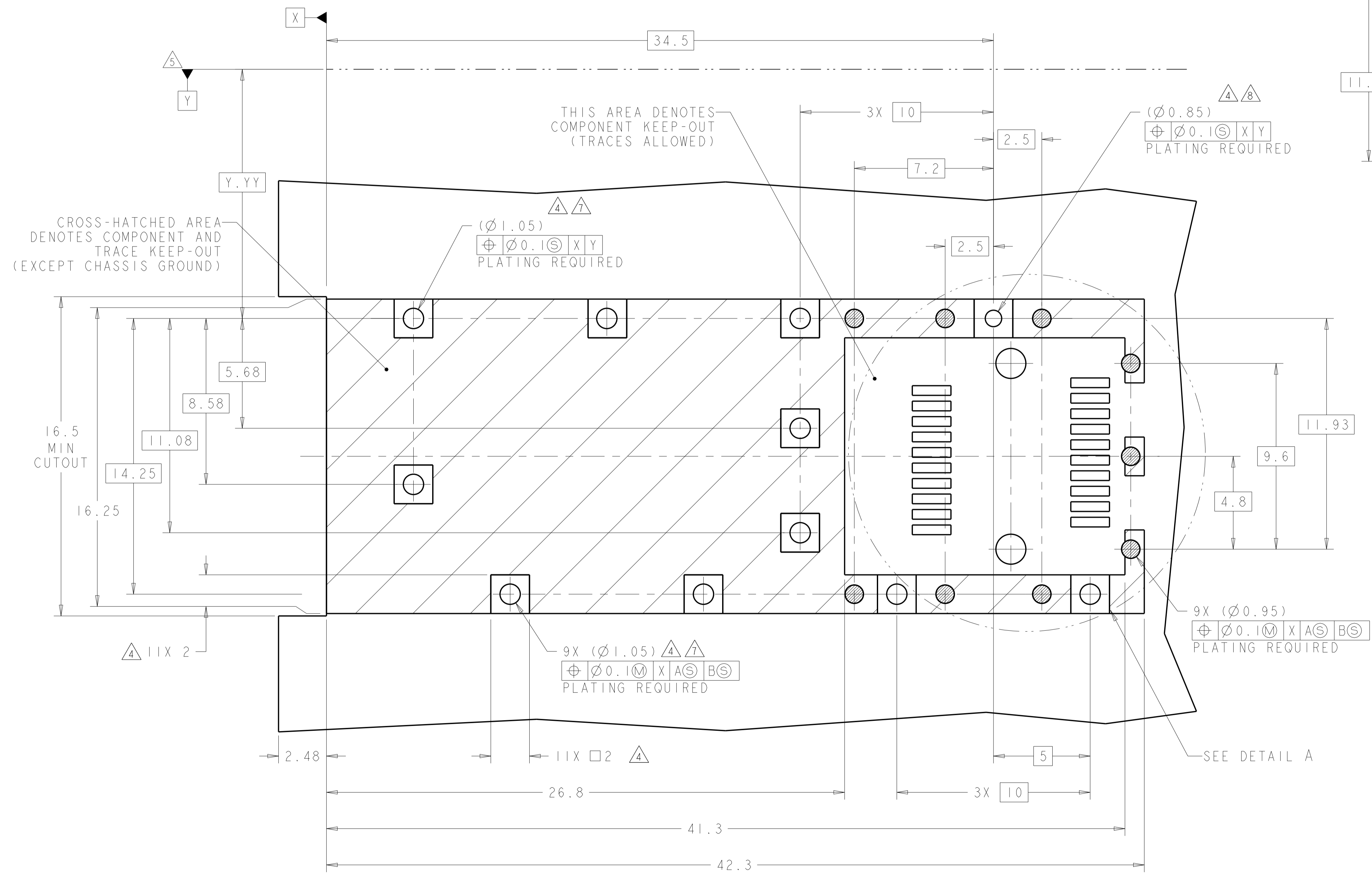
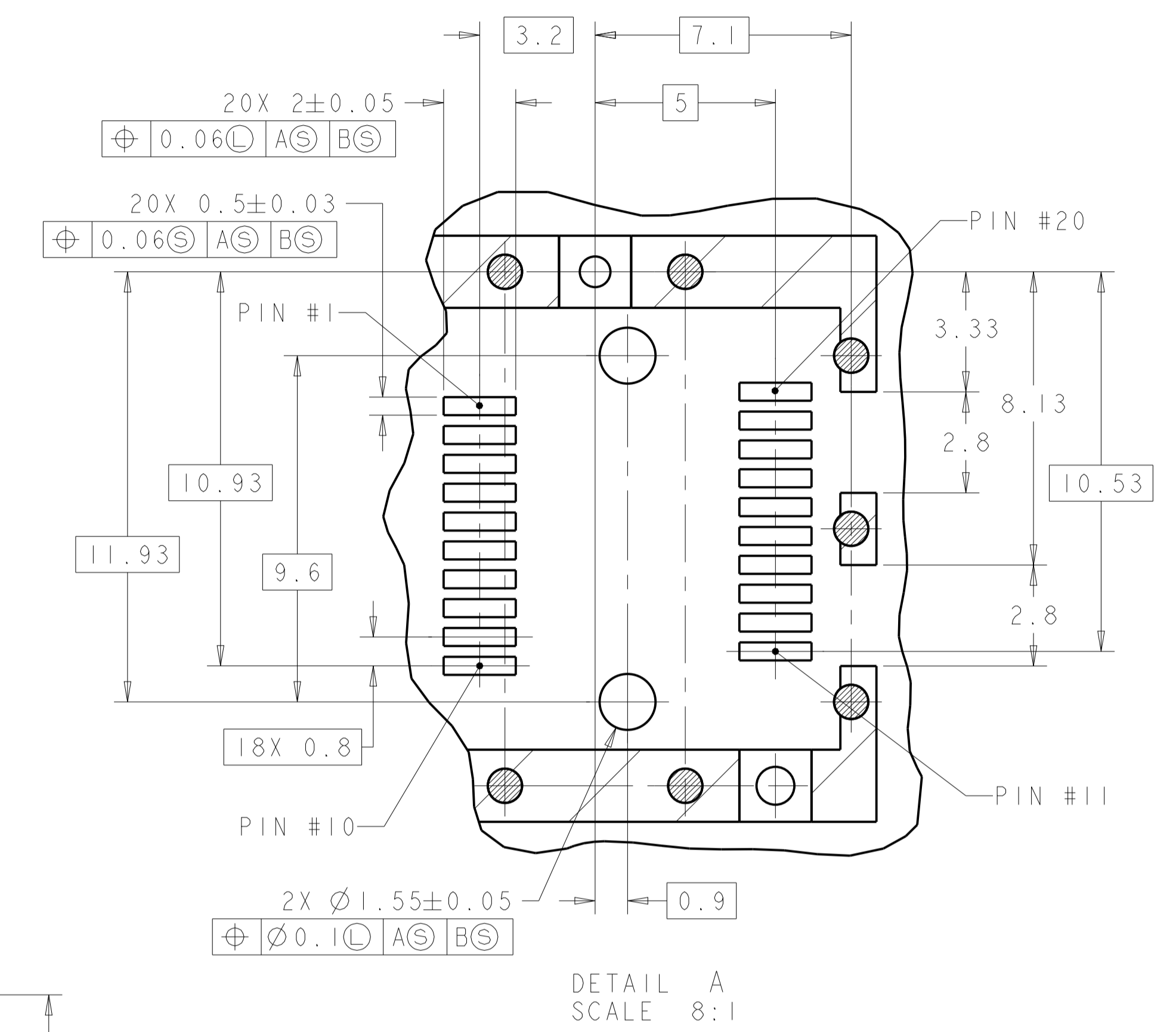
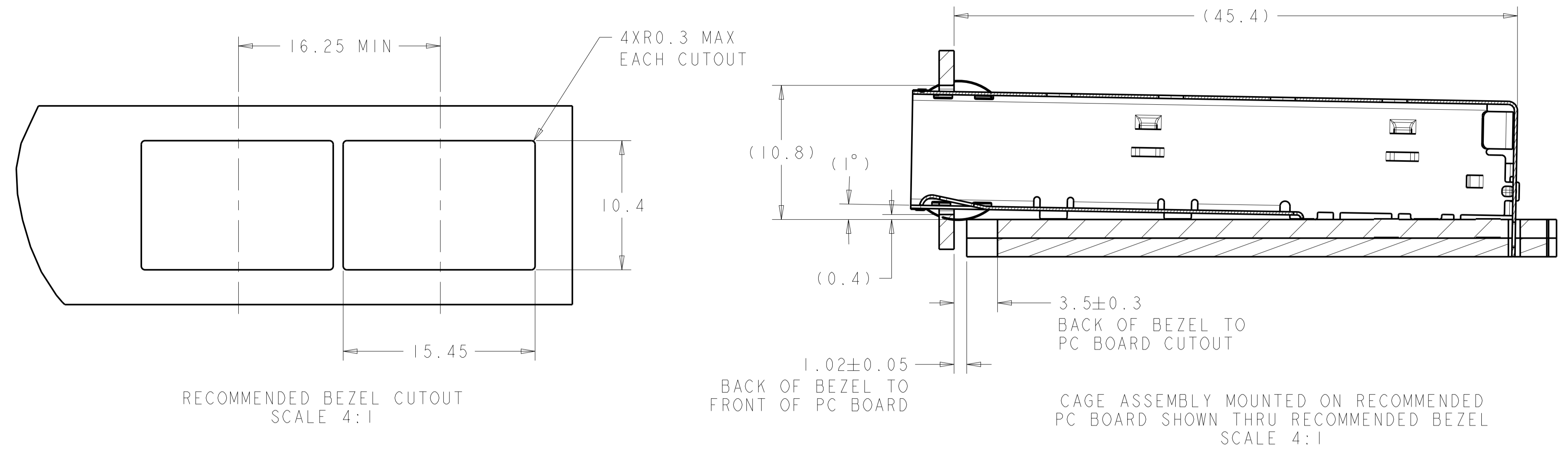


- 1. MATERIAL:  
 CAGE ASSEMBLY - 0.25mm THICK NICKEL-SILVER ALLOY.  
 EMI SPRINGS - COPPER ALLOY.
- 2. FINISH:  
 EMI SPRINGS - 0.8um MIN NICKEL,  
 NON PLATED EDGES PERMISSIBLE.
- 3. MATES WITH SFP MSA COMPLIANT TRANSCEIVERS.
- 4. PADS AND VIAS CHASSIS GROUND.
- 5. DATUMS AND BASIC DIMENSIONS ESTABLISHED BY CUSTOMER.
- 6. MINIMUM PC BOARD THICKNESS:  
 SINGLE SIDED = 1.50mm
- 7. REFERENCE APPLICATION SPEC. 114-13120, HOLE A,  
 FOR RECOMMENDED DRILL HOLE DIAMETER AND PLATING THICKNESS.
- 8. REFERENCE APPLICATION SPEC. 114-13120, HOLE C,  
 FOR RECOMMENDED DRILL HOLE DIAMETER AND PLATING THICKNESS.
- 9. NOTE DELETED

HEATSINK OPENING	2317434-2
EMI HOLES	2317434-1
DESCRIPTION	PART NUMBER

THIS DRAWING IS A CONTROLLED DOCUMENT.		OWN: PETER PAN 10MAR2017	TE Connectivity SFP+ IXI CAGE ASSEMBLY, PCI, PRESS-FIT EMI SPRING FINGERS
DIMENSIONS: mm		CHK: SEAN HAN 10MAR2017	
TOLERANCES UNLESS OTHERWISE SPECIFIED:		APVD: SEAN HAN 10MAR2017	
0 PLC ±0.1 1 PLC ±0.1 2 PLC ±0.1 3 PLC ±0.05 4 PLC ±0.05 ANGLES ±0.05		PRODUCT SPEC: 108-2364 APPLICATION SPEC: 114-13120 WEIGHT: - RESTRICTED CUSTOMER	
MATERIAL: -		FINISH: -	SIZE: A1 CAGE CODE: 00779 DRAWING NO: 2317434 SCALE: 5:1 SHEET 1 OF 2 REV B

REVISEMENTS		DATE	OWN	APPR
P	LTN			
- SEE SHEET 1				



RECOMMENDED PCB LAYOUT SCALE 8:1

THIS DRAWING IS A CONTROLLED DOCUMENT.		OWN: PETER PAN TOMAR2017	TE Connectivity
DIMENSIONS: mm		CHK: SEAN HAN TOMAR2017	
TOLERANCES UNLESS OTHERWISE SPECIFIED:		APPR: SEAN HAN TOMAR2017	NAME: SFP+ 1X1 CAGE ASSEMBLY, PCI, PRESS-FIT EMI SPRING FINGERS
0 PLC ±0.1		PRODUCT SPEC	SIZE: A1
1 PLC ±0.1		APPLICATION SPEC	CAGE CODE: 2317434
2 PLC ±0.1		108-2364	RESTRICTED TO: -
3 PLC ±0.05		114-13120	SCALE: 3:1
4 PLC ±0.05		WEIGHT: -	SHEET: 2 OF 2
ANGLES ±0.05		CUSTOMER DRAWING	REV: 1