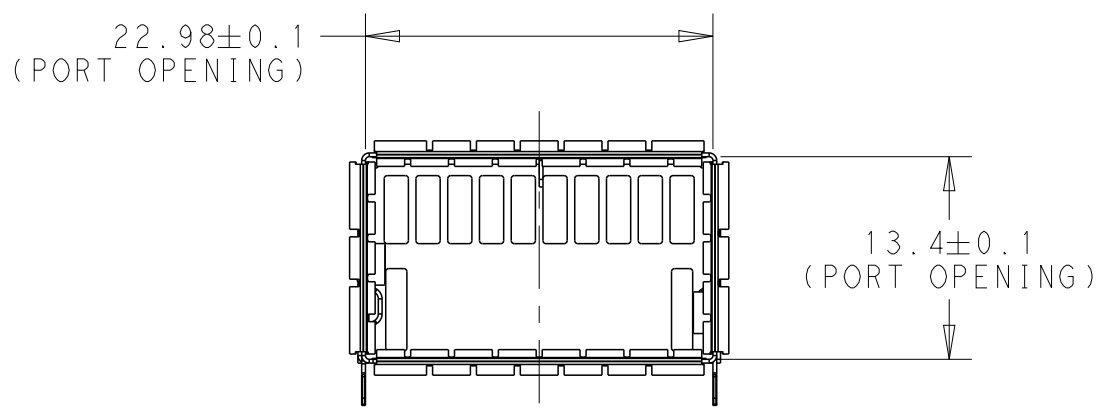
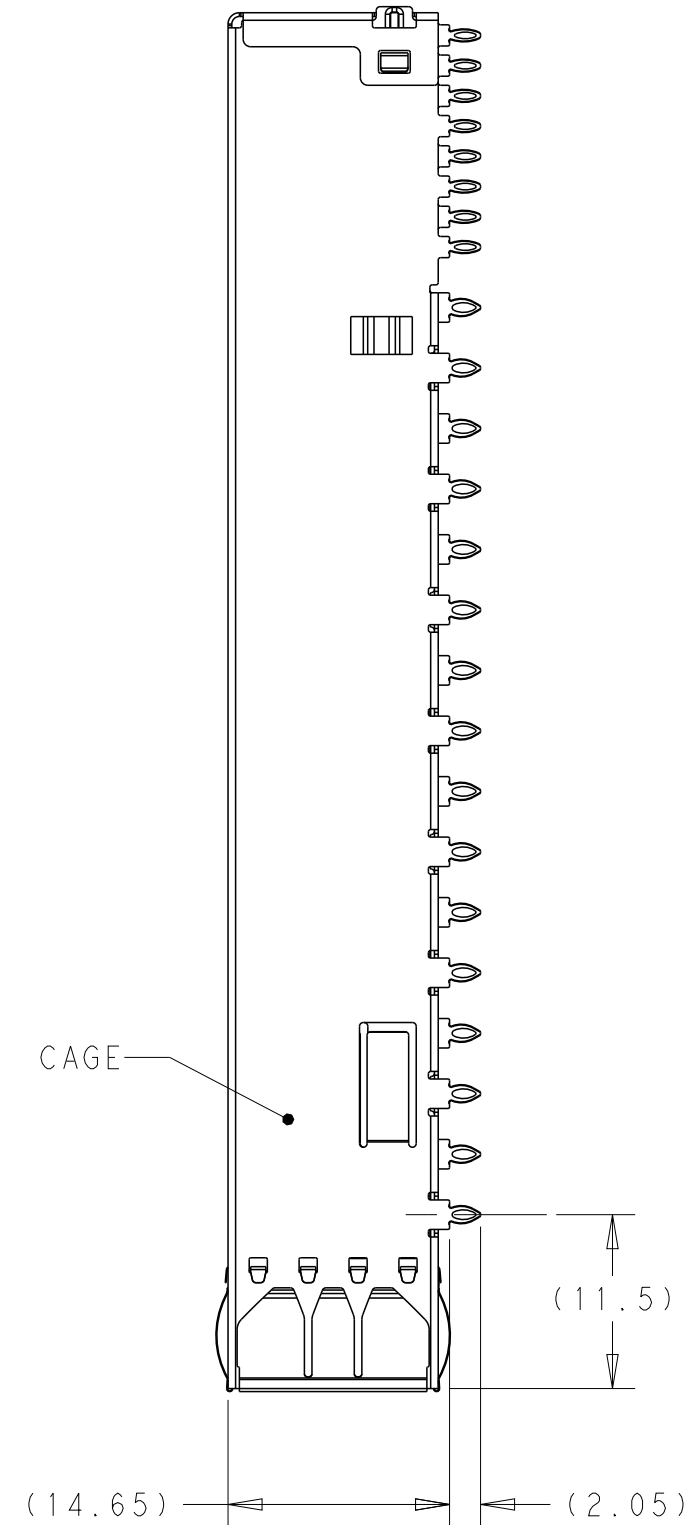
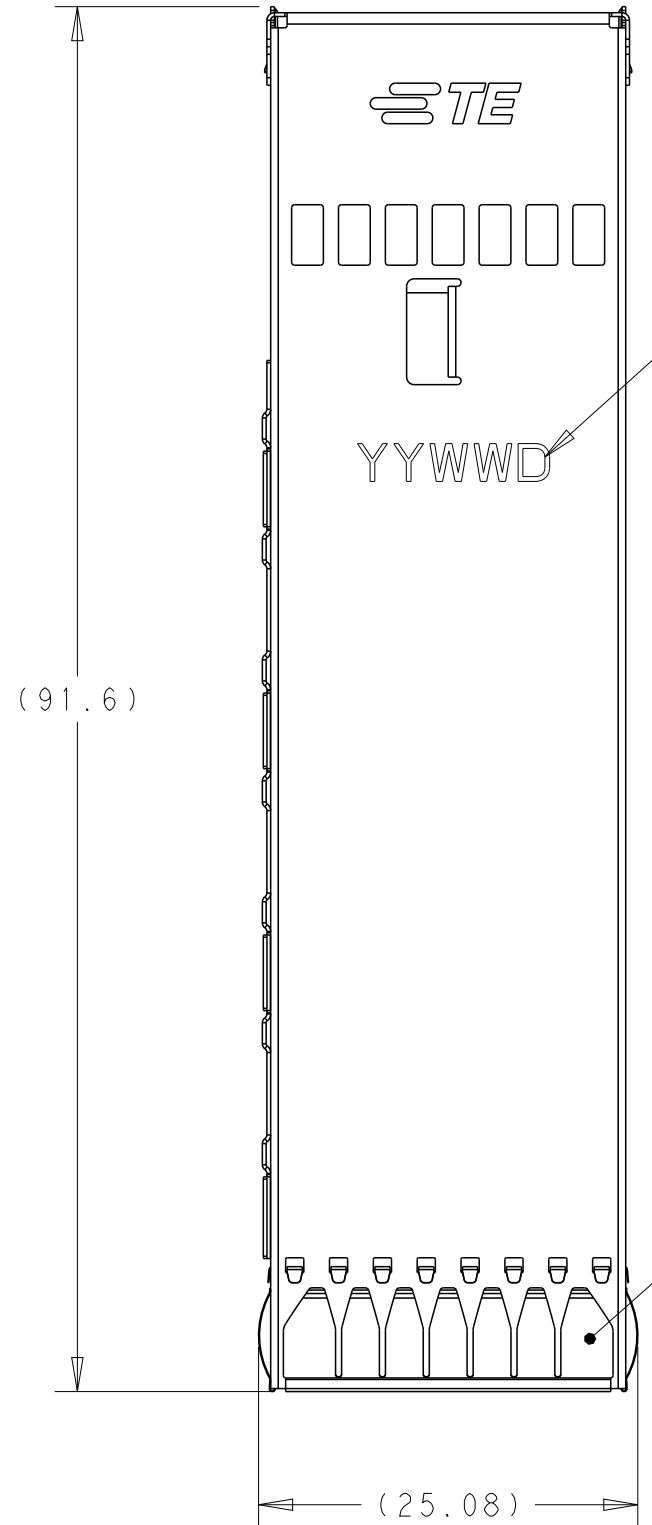


THIS DRAWING IS UNPUBLISHED. RELEASED FOR PUBLICATION 20
 © COPYRIGHT 20 BY - ALL RIGHTS RESERVED.

REVISIONS				
P	LTR	DESCRIPTION	DATE	APVD
A		RELEASED PER ECO-18-008361	28MAY2018	CJV EDB
B		REVISED PER ECO-18-009057	12JUN2018	MS EB
C		ADDED -3 PART	18JUN2019	CJV EDB
D2		REVISED PER ECN-24-254250	01MAR2024	ES SZ



- 1 CAGE- 0.25mm THICK STAINLESS STEEL.
EMI SPRING- COPPER ALLOY.
LIGHT PIPE- CLEAR POLYCARBONATE.
LIGHT PIPE ORGANIZER- POLYCARBONATE.
- 2 FINISH:
EMI SPRING- 1.27µm NICKEL PLATING OVER ALL.
- 3. MATES WITH OSFP MSA COMPLIANT TRANSCEIVERS.
- 4 DATUM AND BASIC DIMENSION ESTABLISHED BY CUSTOMER.
- 5. MINIMUM PC BOARD THICKNESS:
SINGLE SIDE = 1.5 MM
DOUBLE SIDE = 2.1 MM
- 6 REFERENCE APPLICATION SPEC 114-XXXX, FOR
RECOMMENDED DRILL HOLE DIAMETER AND PLATING THICKNESS.
- 7 DATE CODE MADE IN APPROXIMATE AREA.
- 8 LED PLACEMENT AREA FOR 4 LIGHT PIPE DASH NUMBERS.
- 9 LED PLACEMENT AREA FOR 2 LIGHT PIPE DASH NUMBERS.
- 10 LED PLACEMENT AREA FOR 1 LIGHT PIPE DASH NUMBERS.

LIGHT PIPES PER PORT	DESCRIPTION	PART NUMBER
0	WITH EMI SPRINGS	1-2317416-8
4	WITH EMI SPRINGS	2317416-7
2	WITH EMI SPRINGS	2317416-6
1	WITH EMI SPRINGS	2317416-5
0	WITH EMI SPRINGS	2317416-3
0	WITH EMI SPRINGS	2317416-2
0	WITH EMI SPRINGS	2317416-1

THIS DRAWING IS A CONTROLLED DOCUMENT.

DWN: ANDY XIE 15MAR2017
 CHK: SEAN HAN 15MAR2017
 APVD: SEAN HAN 15MAR2017

STE TE Connectivity

NAME: CAGE ASSEMBLY, 1X1, OSFP

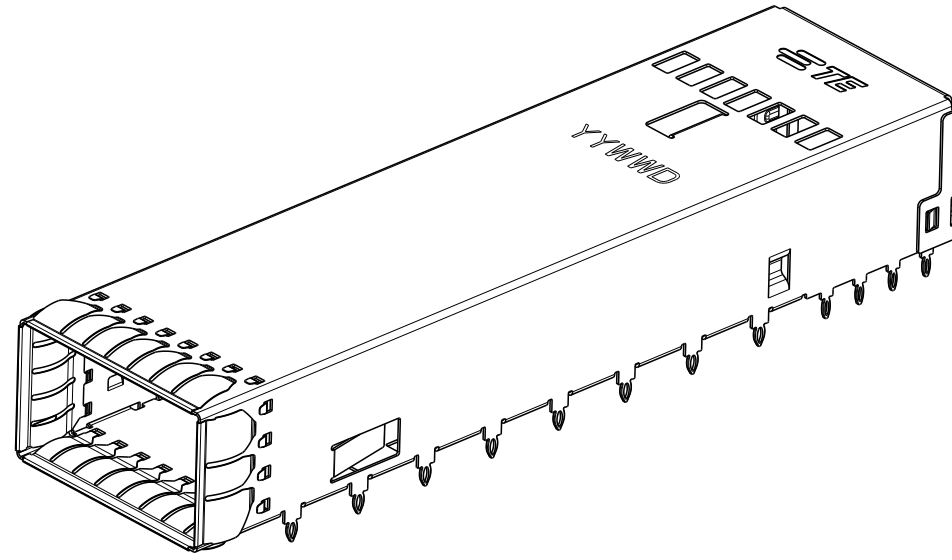
PRODUCT SPEC: 108-60117
 APPLICATION SPEC: 114-130009

SIZE: A2 CAGE CODE: - DRAWING NO: C-2317416 RESTRICTED TO: -
 WEIGHT: - SCALE: 2:1 SHEET 1 OF 6 REV D2

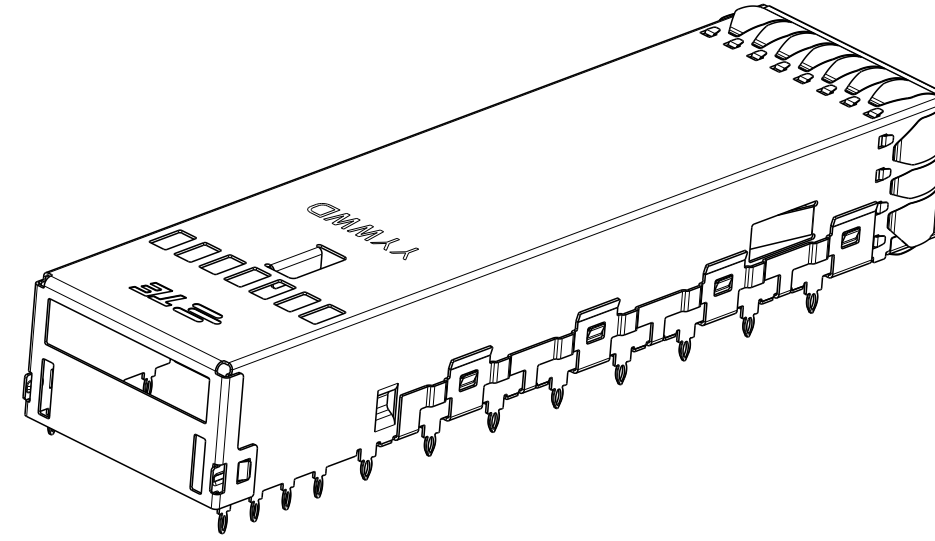
CUSTOMER DRAWING

THIS DRAWING IS UNPUBLISHED. RELEASED FOR PUBLICATION 20
 © COPYRIGHT 20 BY - ALL RIGHTS RESERVED.

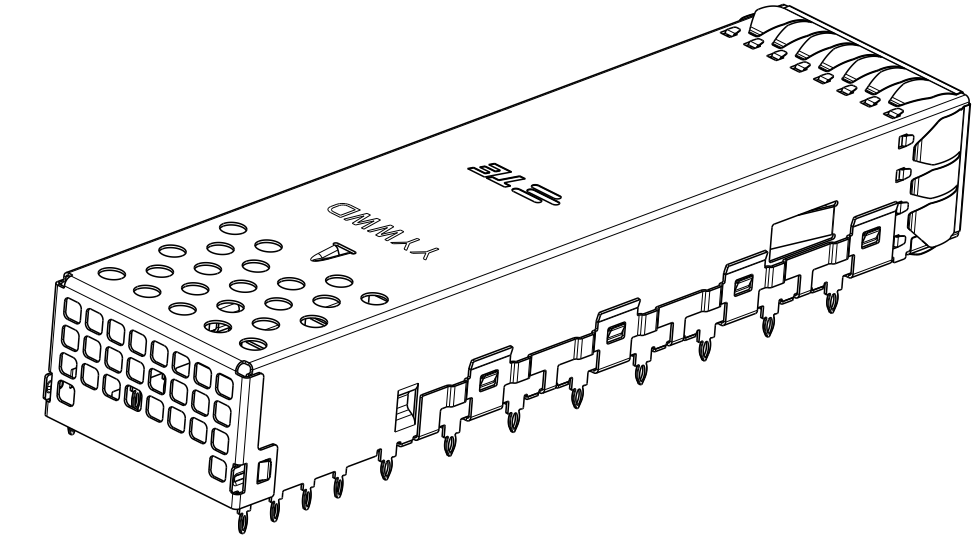
REVISIONS				
P	LTR	DESCRIPTION	DATE	APVD
-	-	SEE SHEET 1	-	-



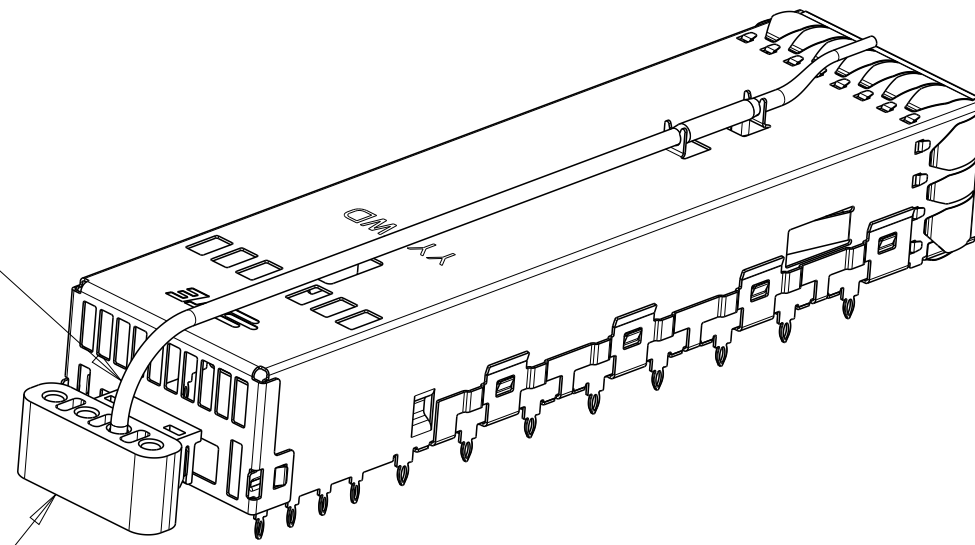
2317416-1
SCALE 3:2



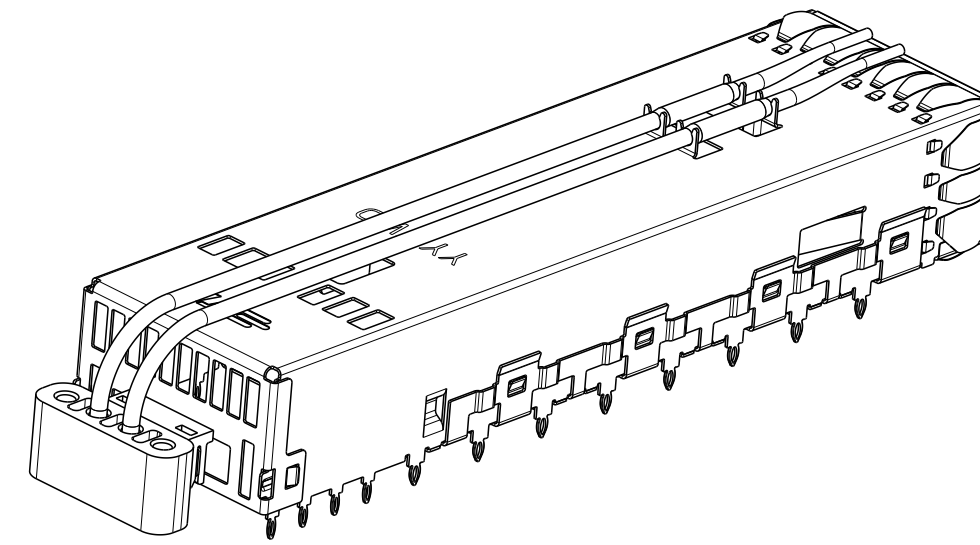
2317416-2
SCALE 3:2



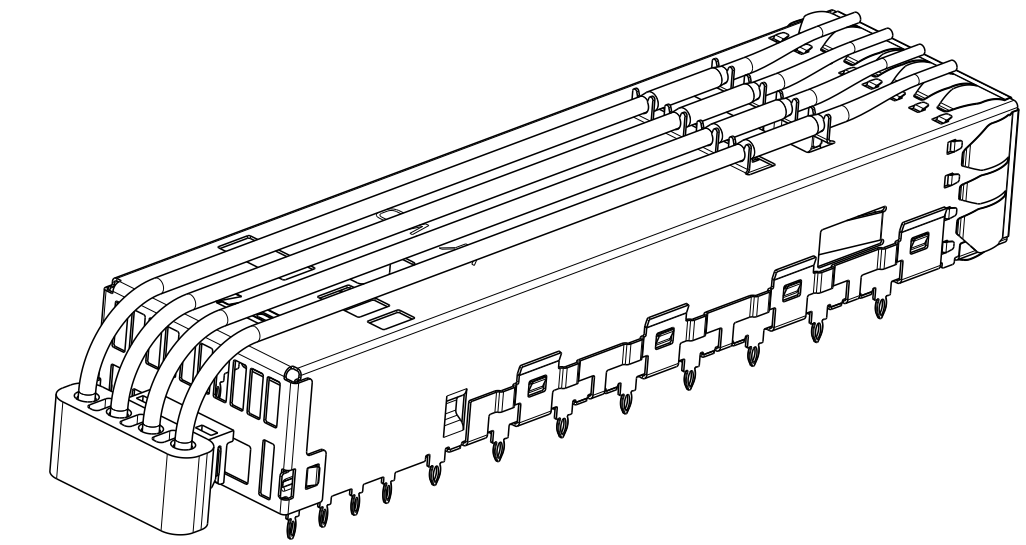
2317416-3
SCALE 3:2



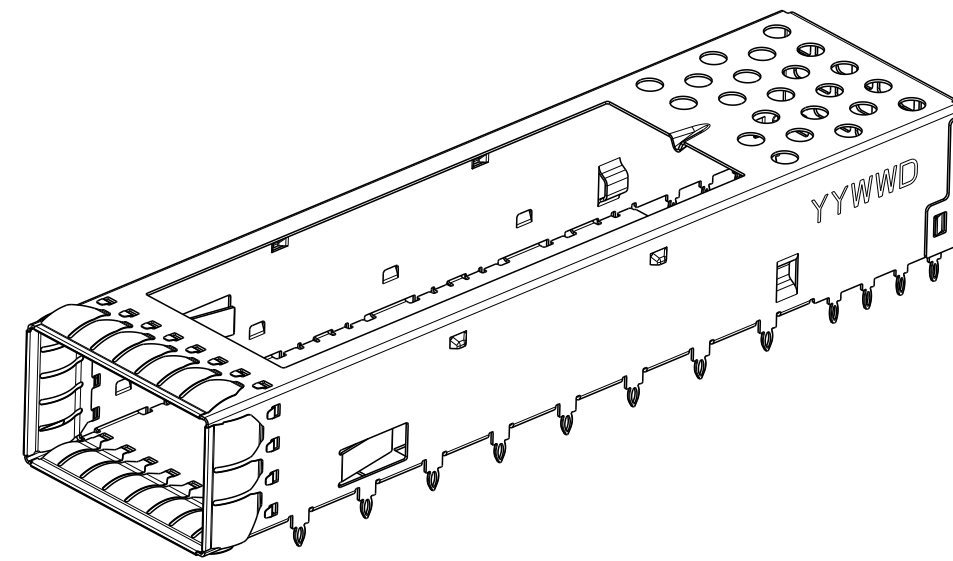
2317416-5
SCALE 3:2



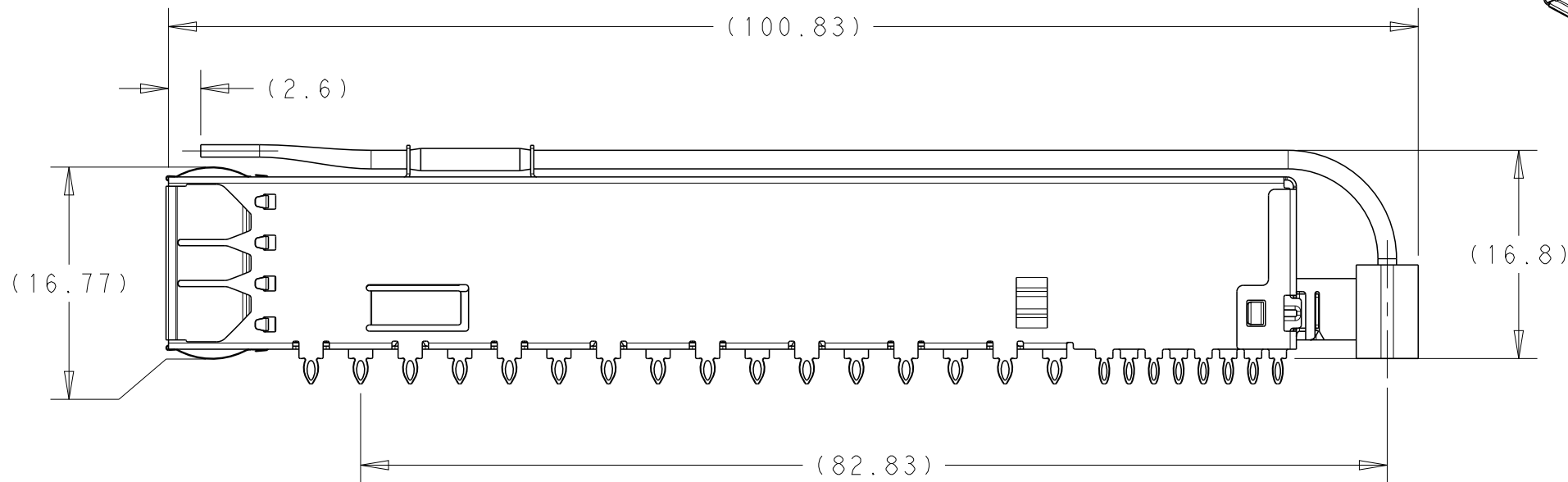
2317416-6
SCALE 3:2



2317416-7
SCALE 3:2



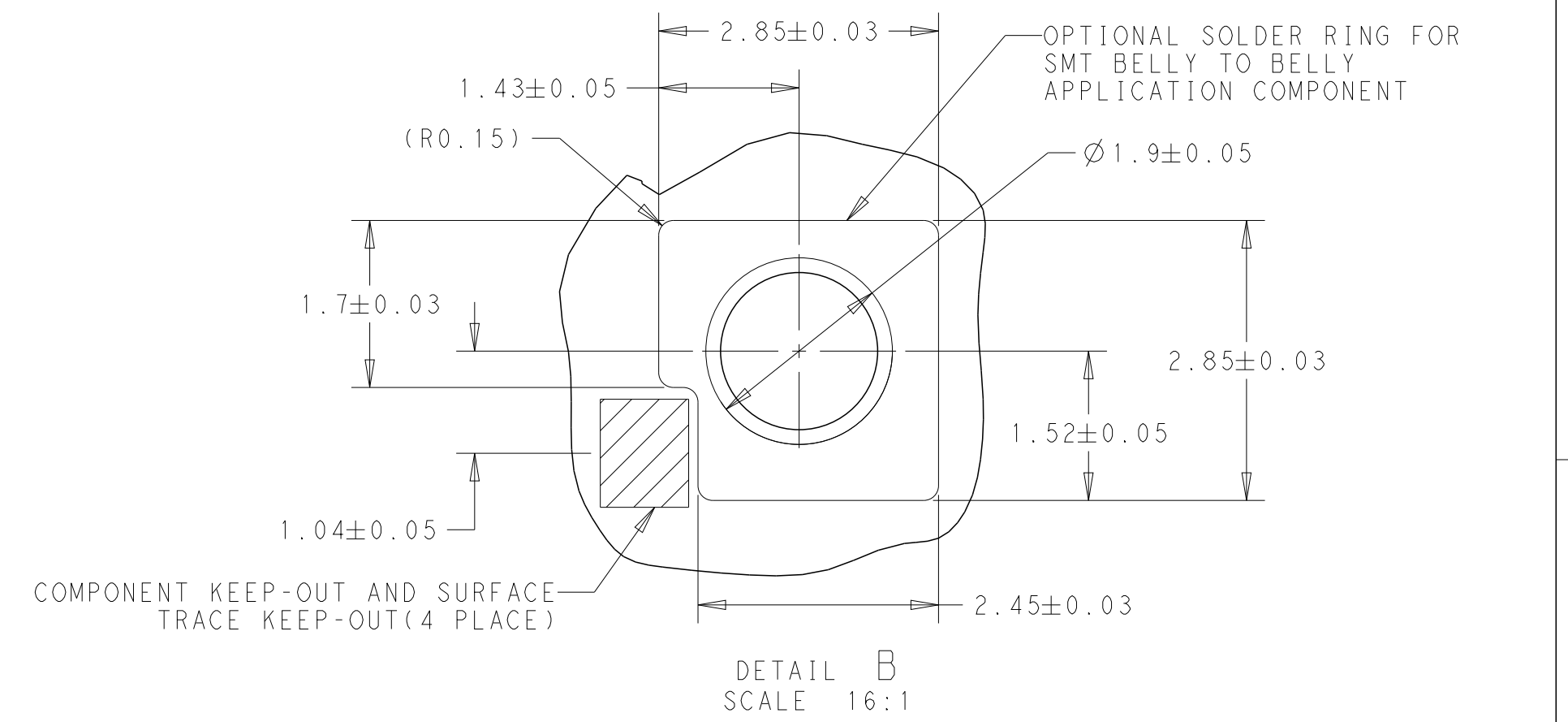
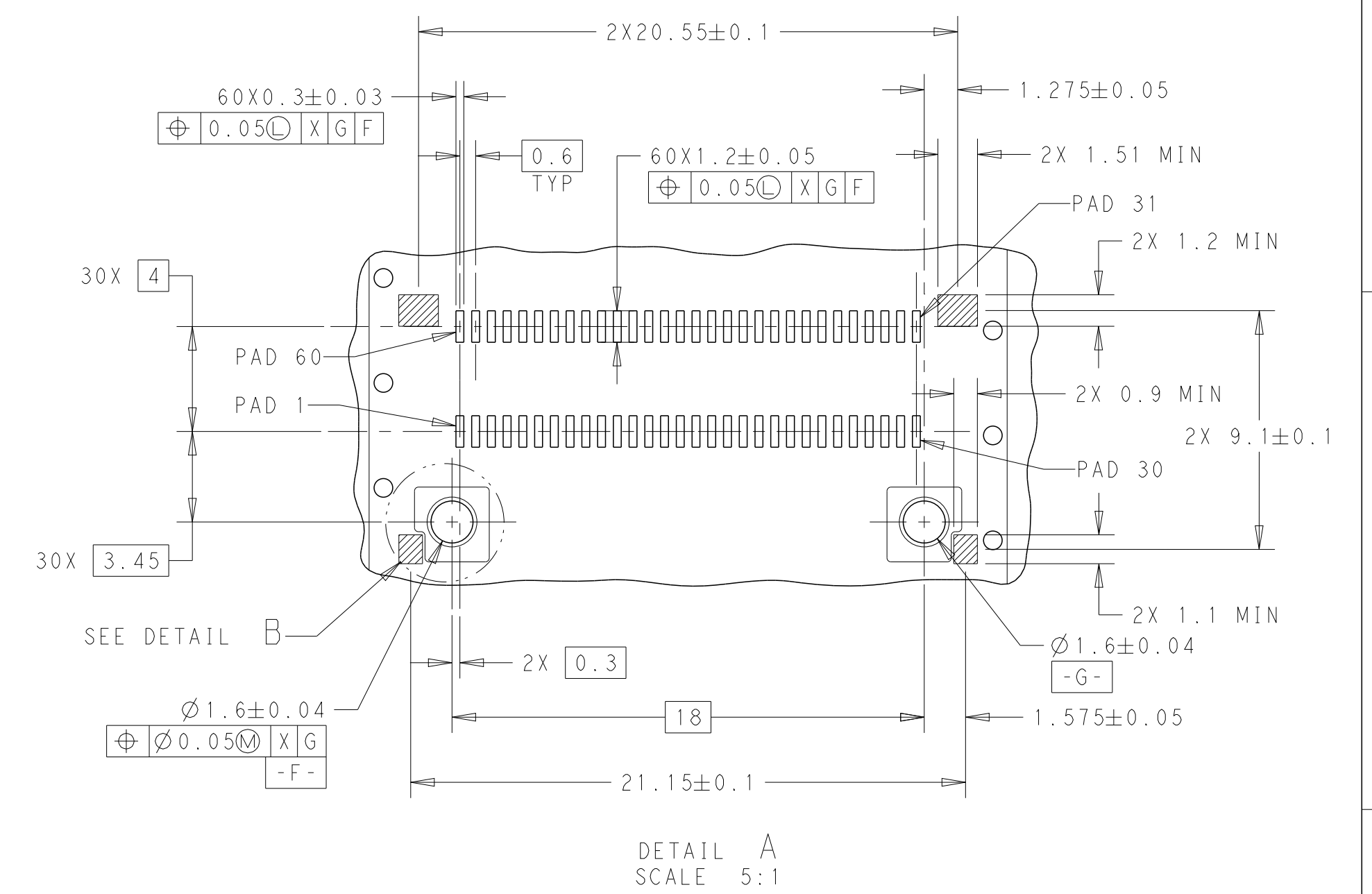
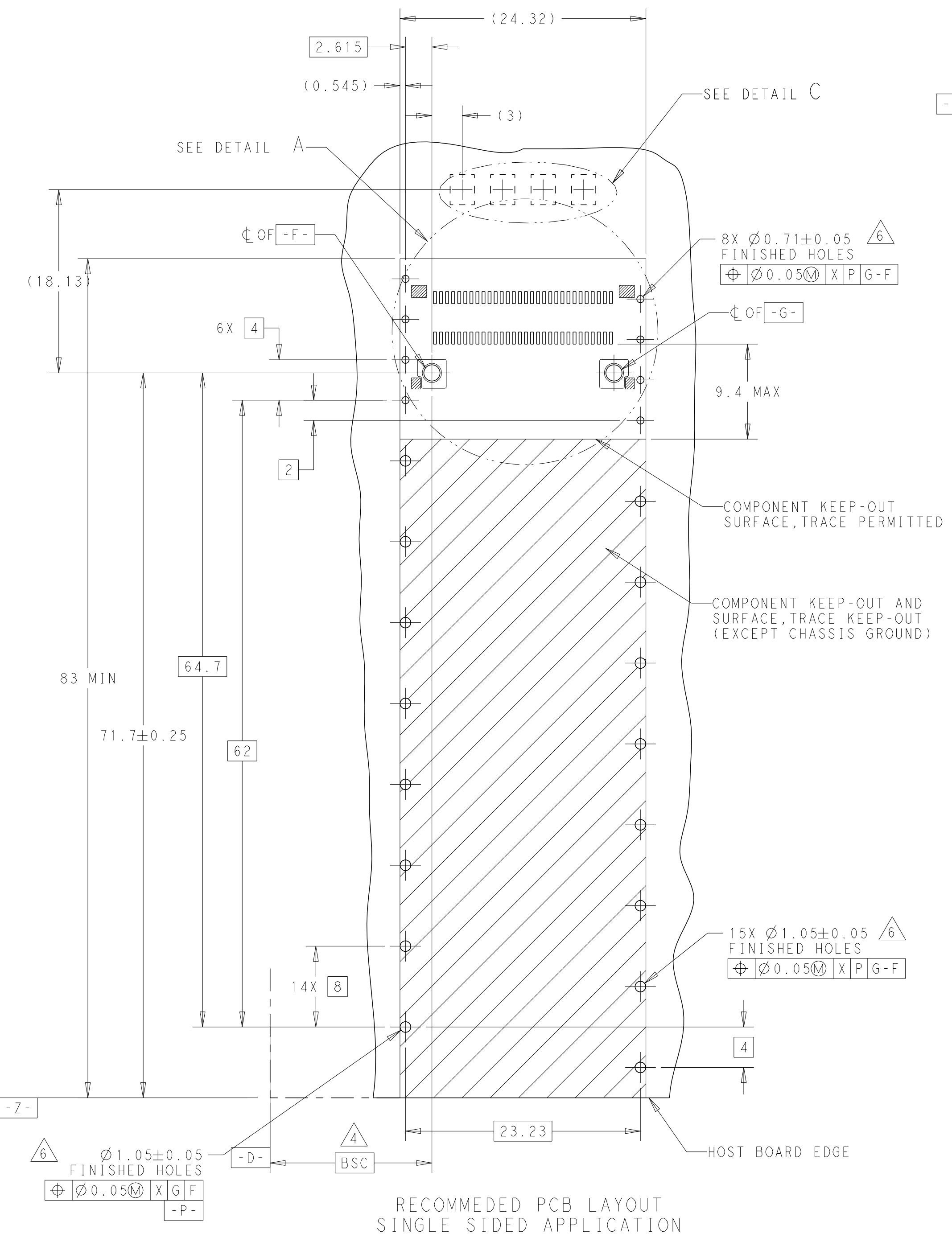
1-2317416-8
SCALE 3:2



THIS DRAWING IS A CONTROLLED DOCUMENT.		DWN ANDY XIE 15MAR2017	TE Connectivity	
DIMENSIONS: mm		CHK SEAN HAN 15MAR2017		
TOLERANCES UNLESS OTHERWISE SPECIFIED:		APVD SEAN HAN 15MAR2017	NAME CAGE ASSEMBLY, 1X1, OSFP	
0 PLC ± 1 PLC ±0.25 2 PLC ±0.15 3 PLC ± 4 PLC ± ANGLES ±1° FINISH -		PRODUCT SPEC 108-60117	SIZE A2	
MATERIAL -		APPLICATION SPEC 114-130009	CAGE CODE -	DRAWING NO. C-2317416
		WEIGHT -	RESTRICTED TO -	SCALE 2:1 SHEET 2 OF 6 REV D2
		CUSTOMER DRAWING		

THIS DRAWING IS UNPUBLISHED. RELEASED FOR PUBLICATION 20
 © COPYRIGHT 20 BY - ALL RIGHTS RESERVED.

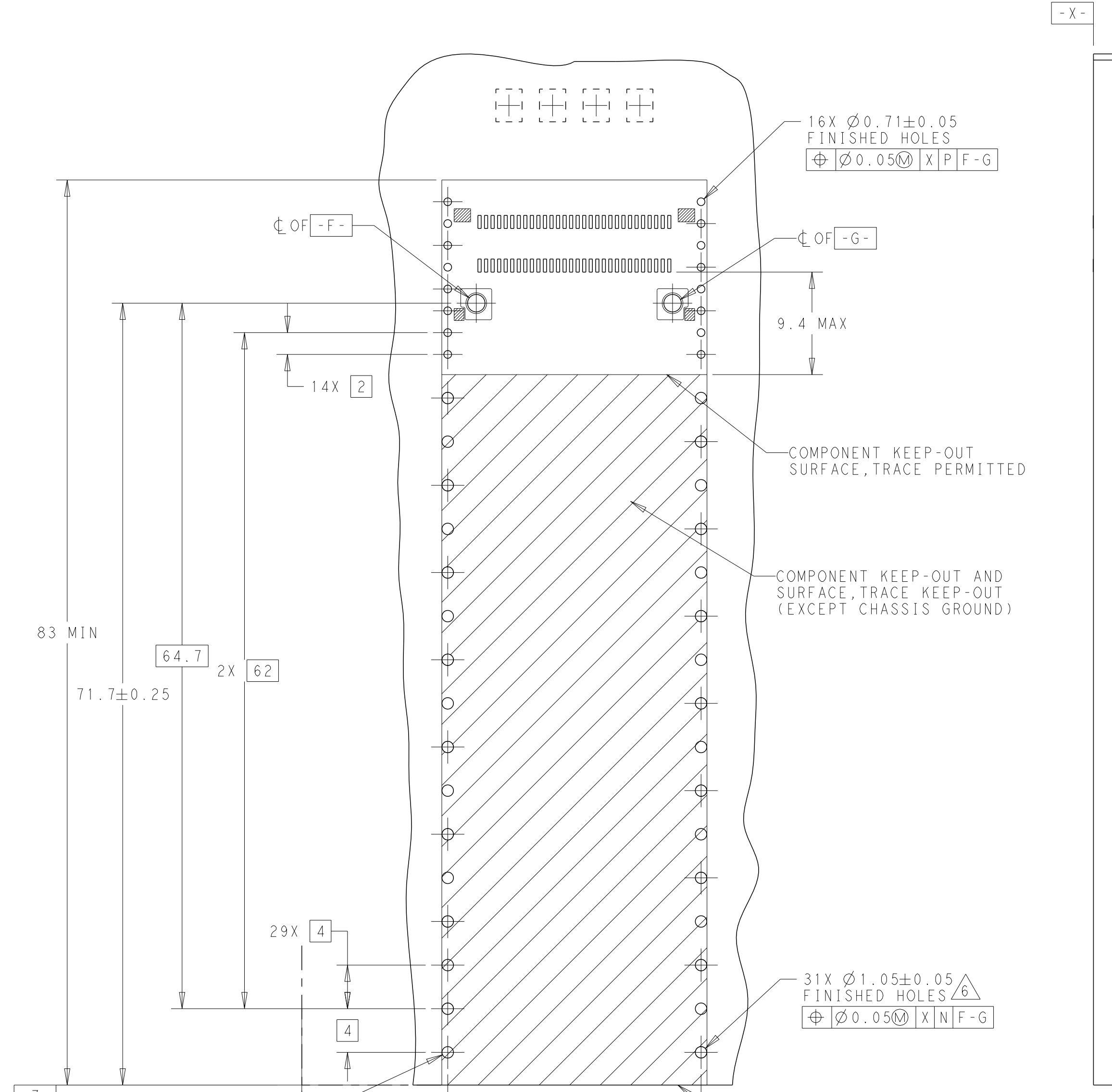
REVISIONS					
P	LTR	DESCRIPTION	DATE	DWN	APVD
-	-	SEE SHEET 1	-	-	-



THIS DRAWING IS A CONTROLLED DOCUMENT.		DWN ANDY XIE 15MAR2017	TE Connectivity		
DIMENSIONS: mm		CHK SEAN HAN 15MAR2017			
TOLERANCES UNLESS OTHERWISE SPECIFIED:		APVD SEAN HAN 15MAR2017	NAME CAGE ASSEMBLY, 1X1, OSFP		
0 PLC ±	±0.25	PRODUCT SPEC 108-60117	SIZE A2		
1 PLC ±0.15	±0.15	APPLICATION SPEC 114-130009	CAGE CODE -	DRAWING NO. C-2317416	RESTRICTED TO -
2 PLC ±	±	WEIGHT -	SCALE 2:1 SHEET 3 OF 6 REV D2		
3 PLC ±	±	CUSTOMER DRAWING			
4 PLC ±	±				
ANGLES ±1°					
FINISH -					

THIS DRAWING IS UNPUBLISHED. RELEASED FOR PUBLICATION 20
 © COPYRIGHT 20 BY - ALL RIGHTS RESERVED.

REVISIONS				
P	LTR	DESCRIPTION	DATE	APVD
-	-	SEE SHEET 1	-	-



16X $\varnothing 0.71 \pm 0.05$
 FINISHED HOLES
 $\varnothing 0.05 \text{ M X P F-G}$

COMPONENT KEEP-OUT
 SURFACE, TRACE PERMITTED

COMPONENT KEEP-OUT AND
 SURFACE, TRACE KEEP-OUT
 (EXCEPT CHASSIS GROUND)

31X $\varnothing 1.05 \pm 0.05$
 FINISHED HOLES
 $\varnothing 0.05 \text{ M X N F-G}$

$\varnothing 1.05 \pm 0.05$
 FINISHED HOLES
 $\varnothing 0.05 \text{ M X G F}$

BSC

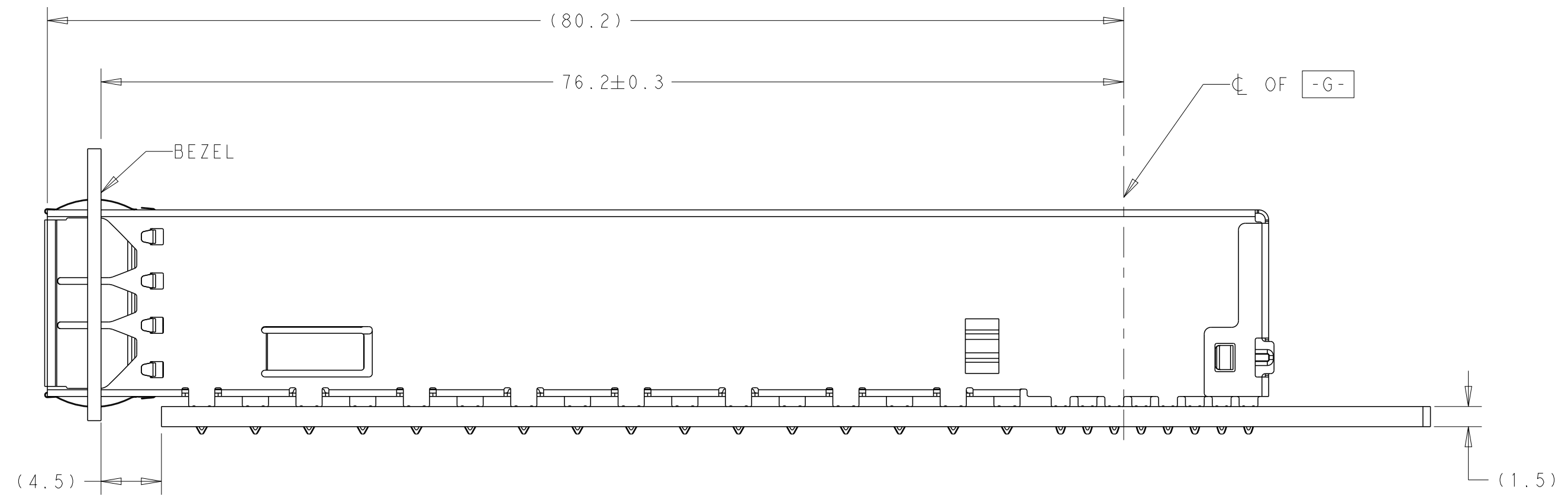
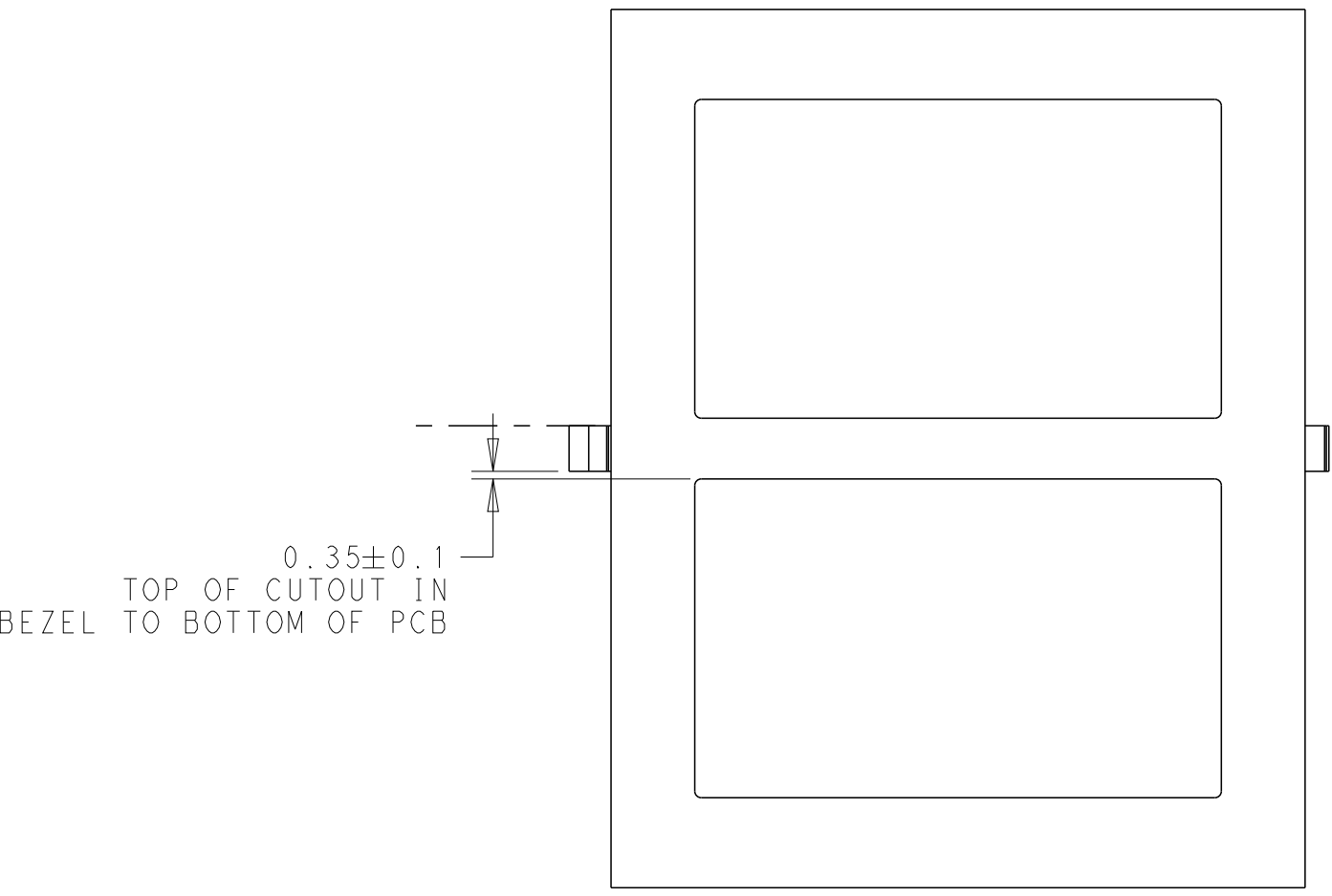
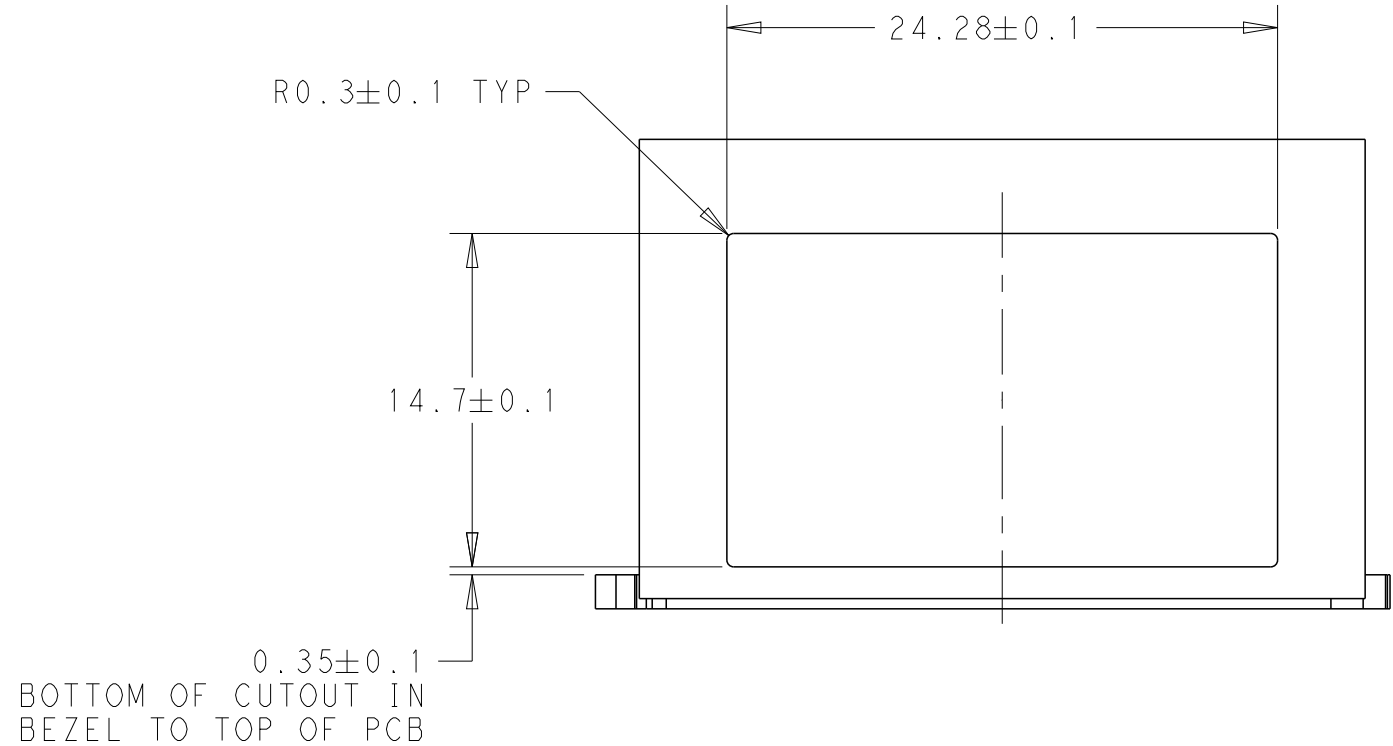
HOST BOARD EDGE

RECOMMENDED PCB LAYOUT
 BELLY TO BELLY APPLICATION

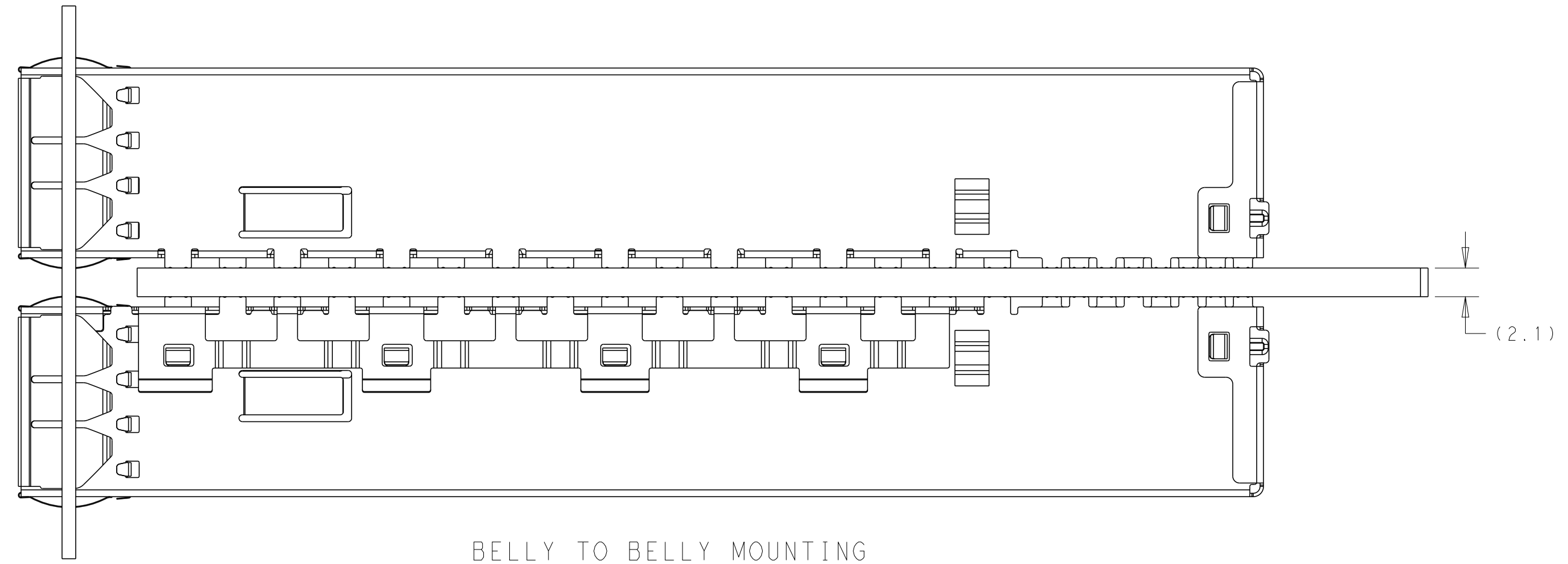
THIS DRAWING IS A CONTROLLED DOCUMENT.		DWN ANDY XIE 15MAR2017	TE Connectivity															
DIMENSIONS: mm		CHK SEAN HAN 15MAR2017																
TOLERANCES UNLESS OTHERWISE SPECIFIED:		APVD SEAN HAN 15MAR2017	NAME CAGE ASSEMBLY, 1X1, OSFP															
<table border="1"> <tr><td>0 PLC</td><td>±</td></tr> <tr><td>1 PLC</td><td>±0.25</td></tr> <tr><td>2 PLC</td><td>±0.15</td></tr> <tr><td>3 PLC</td><td>±</td></tr> <tr><td>4 PLC</td><td>±</td></tr> <tr><td>ANGLES</td><td>±1°</td></tr> <tr><td>FINISH</td><td>-</td></tr> </table>		0 PLC	±	1 PLC	±0.25	2 PLC	±0.15	3 PLC	±	4 PLC	±	ANGLES	±1°	FINISH	-	PRODUCT SPEC 108-60117	SIZE A2	
0 PLC	±																	
1 PLC	±0.25																	
2 PLC	±0.15																	
3 PLC	±																	
4 PLC	±																	
ANGLES	±1°																	
FINISH	-																	
MATERIAL -		APPLICATION SPEC 114-130009	CAGE CODE -	DRAWING NO. C-2317416														
-		WEIGHT -	RESTRICTED TO -	SCALE 2:1 SHEET 4 OF 6 REV D2														
CUSTOMER DRAWING																		

THIS DRAWING IS UNPUBLISHED. RELEASED FOR PUBLICATION 20
 © COPYRIGHT 20 BY - ALL RIGHTS RESERVED.

REVISIONS				
P	LTR	DESCRIPTION	DATE	APVD
-		SEE SHEET 1	-	-



SINGLE SIDED MOUNTING
SCALE 3:1

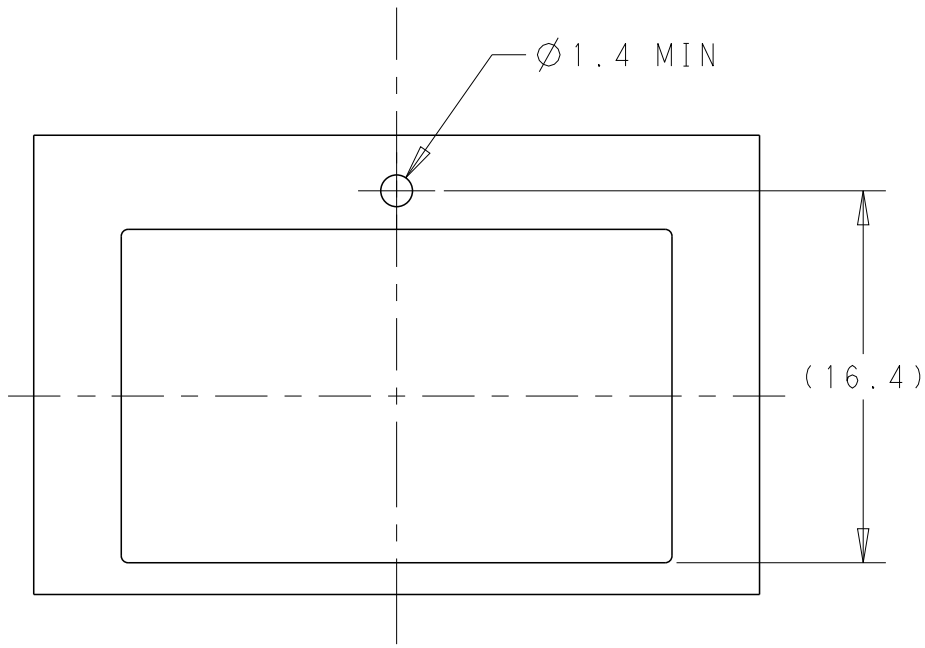


BELLY TO BELLY MOUNTING
SAME AS SINGLE SIDE
EXCEPT AS NOTED
SCALE 3:1

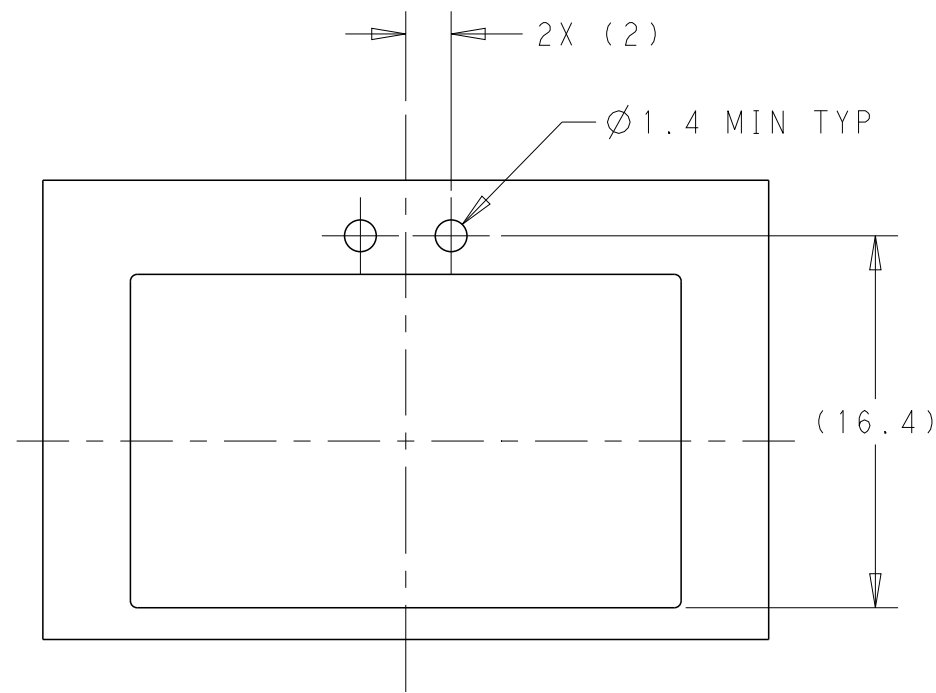
THIS DRAWING IS A CONTROLLED DOCUMENT.		DWN ANDY XIE 15MAR2017	STE TE Connectivity	
		CHK SEAN HAN 15MAR2017		
		APVD SEAN HAN 15MAR2017	NAME CAGE ASSEMBLY, 1X1, OSFP	
DIMENSIONS: mm		PRODUCT SPEC 108-60117	SIZE A2	
TOLERANCES UNLESS OTHERWISE SPECIFIED:		APPLICATION SPEC 114-130009	CAGE CODE -	
0 PLC ±		WEIGHT -	DRAWING NO C-2317416	
1 PLC ±0.25		RESTRICTED TO -		
2 PLC ±0.15		SCALE 2:1 SHEET 5 OF 6 REV D2		
3 PLC ±				
4 PLC ±				
ANGLES ±1°				
FINISH -				
MATERIAL -		CUSTOMER DRAWING		

THIS DRAWING IS UNPUBLISHED. RELEASED FOR PUBLICATION 20
 © COPYRIGHT 20 BY - ALL RIGHTS RESERVED.

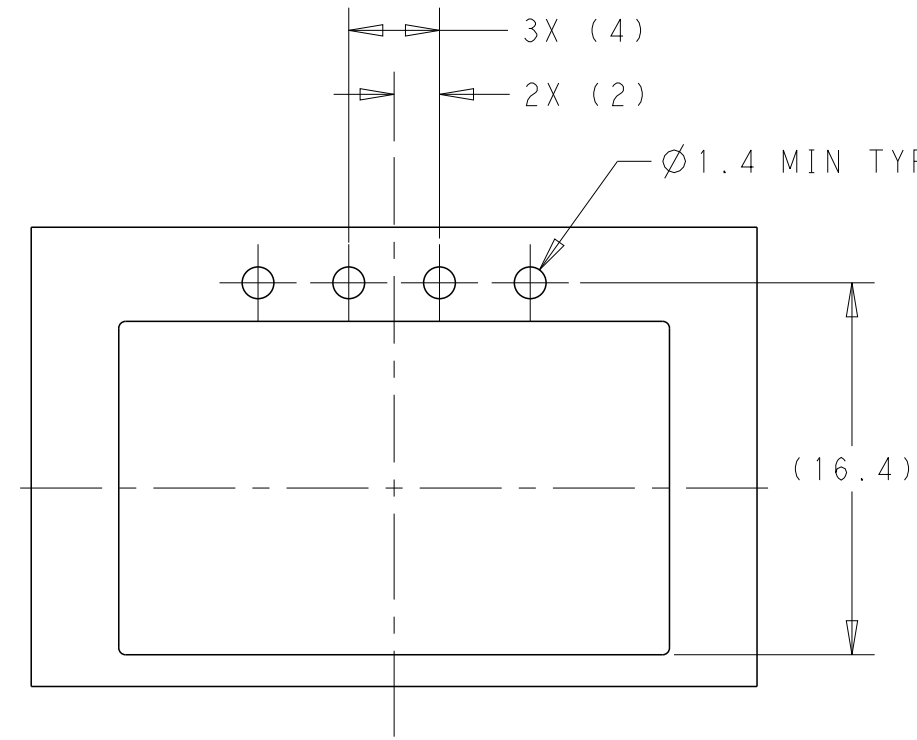
REVISIONS				
P	LTR	DESCRIPTION	DATE	APVD
-	-	SEE SHEET 1	-	-



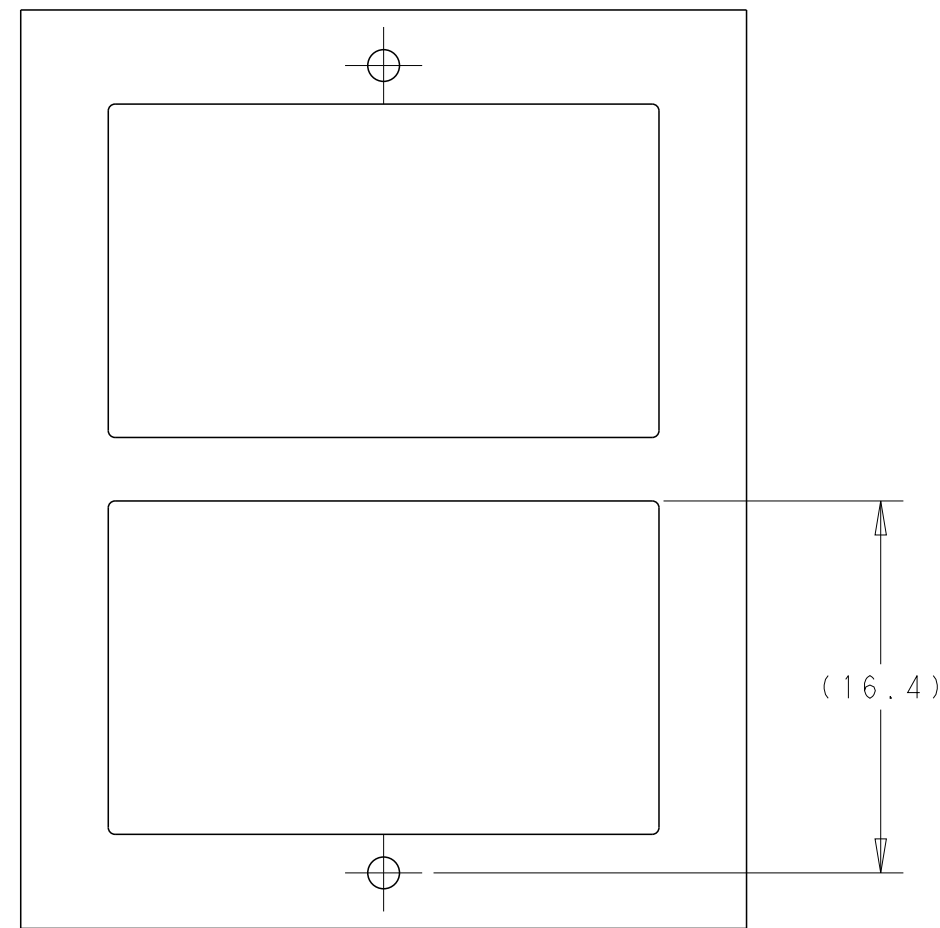
BEZEL LAYOUT FOR SINGLE LIGHT PIPE
SCALE 3:1



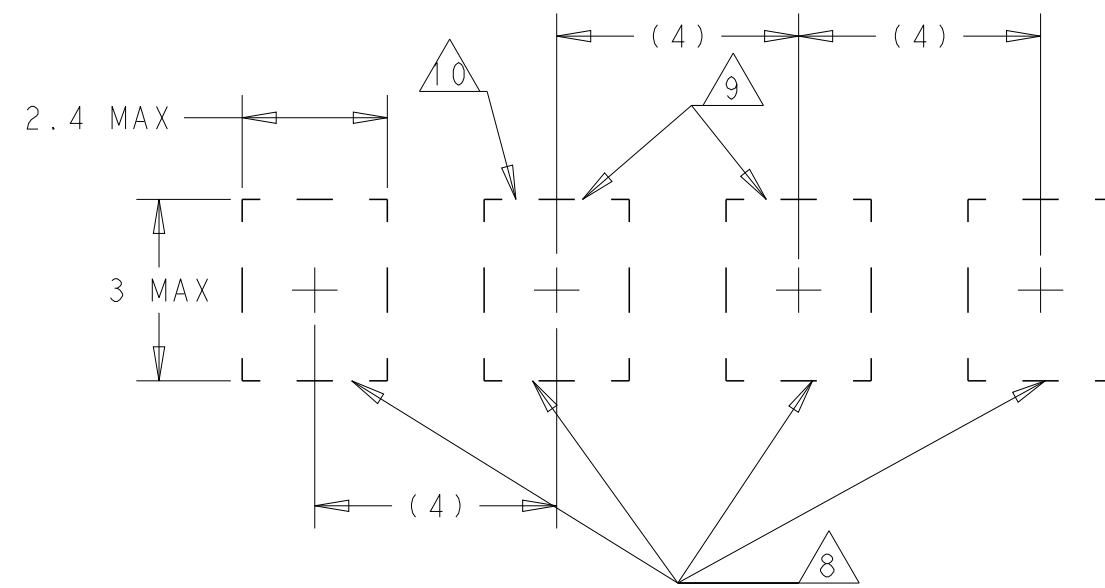
BEZEL LAYOUT FOR DOUBLE LIGHT PIPE
SCALE 3:1



BEZEL LAYOUT FOR QUAD LIGHT PIPE
SCALE 3:1



BEZEL LAYOUT FOR SINGLE LIGHT PIPE
BELLY TO BELLY
SAME AS SINGLE SIDE
EXCEPT WHERE NOTED
SCALE 3:1



DETAIL C
SCALE 8:1

THIS DRAWING IS A CONTROLLED DOCUMENT.		DWN ANDY XIE 15MAR2017	STE TE Connectivity	
DIMENSIONS: mm		CHK SEAN HAN 15MAR2017		
TOLERANCES UNLESS OTHERWISE SPECIFIED:		APVD SEAN HAN 15MAR2017	NAME CAGE ASSEMBLY, 1X1, OSFP	
0 PLC ±		PRODUCT SPEC 108-60117	SIZE A2	
1 PLC ±0.25		APPLICATION SPEC 114-130009	CAGE CODE -	DRAWING NO C-2317416
2 PLC ±0.15		WEIGHT -	RESTRICTED TO -	SCALE 2:1
3 PLC ±		CUSTOMER DRAWING	SHEET 6 OF 6	REV D2
4 PLC ±				
ANGLES ±1°				
FINISH -				