

THIS DRAWING IS UNPUBLISHED.

RELEASED FOR PUBLICATION

REVISIONS

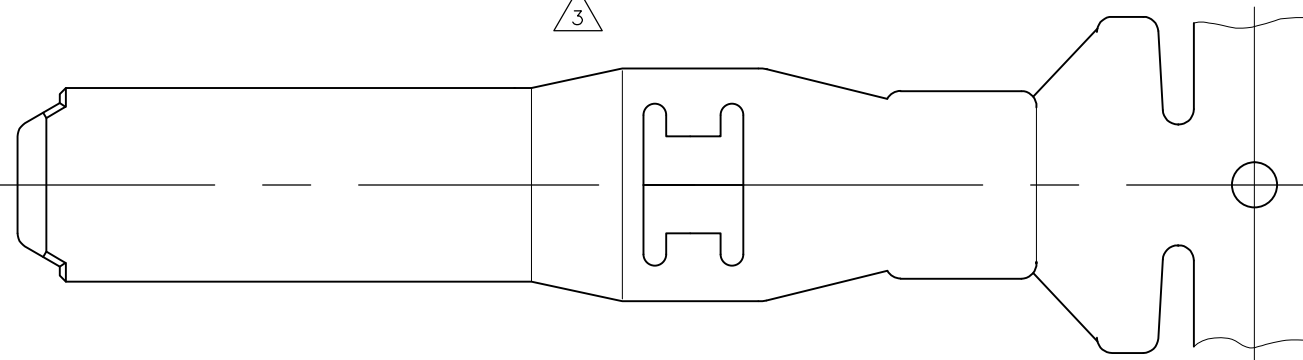
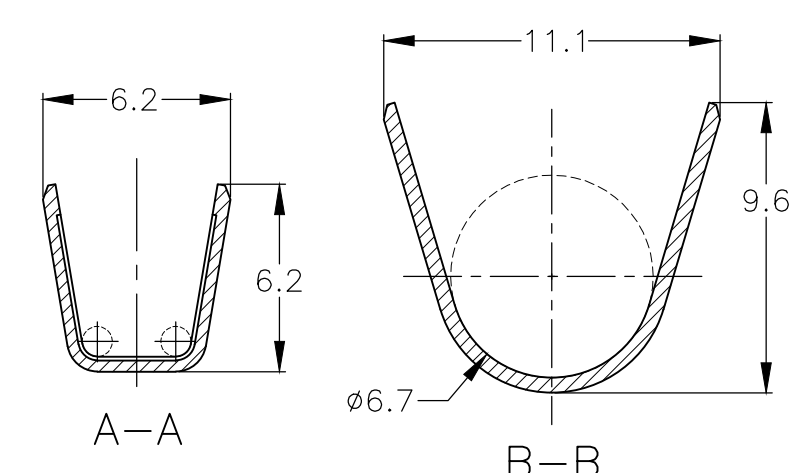
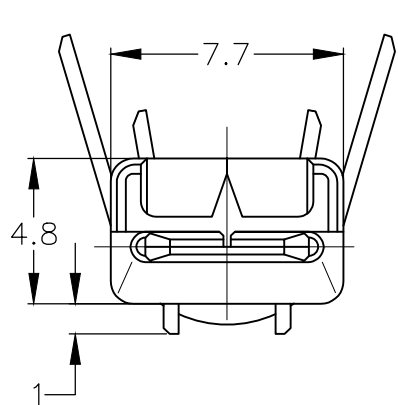
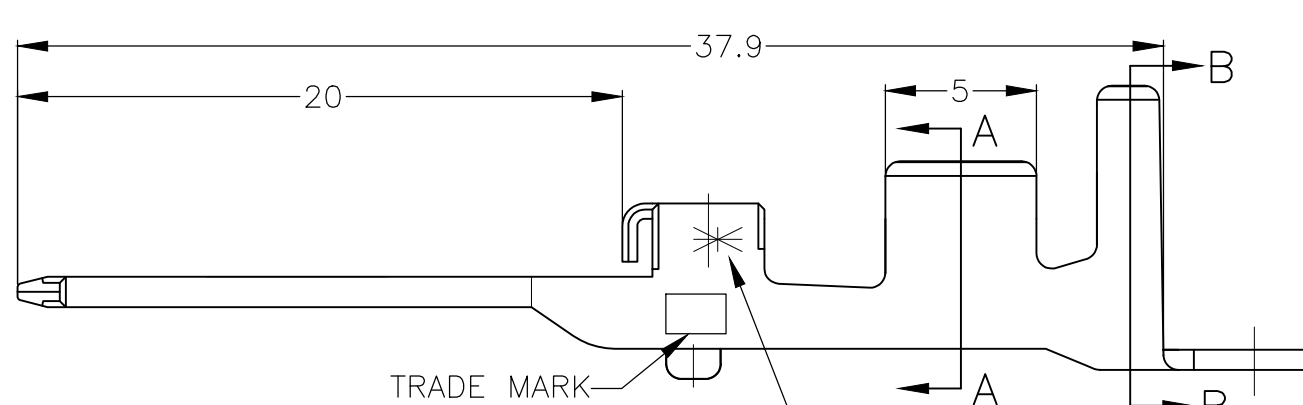
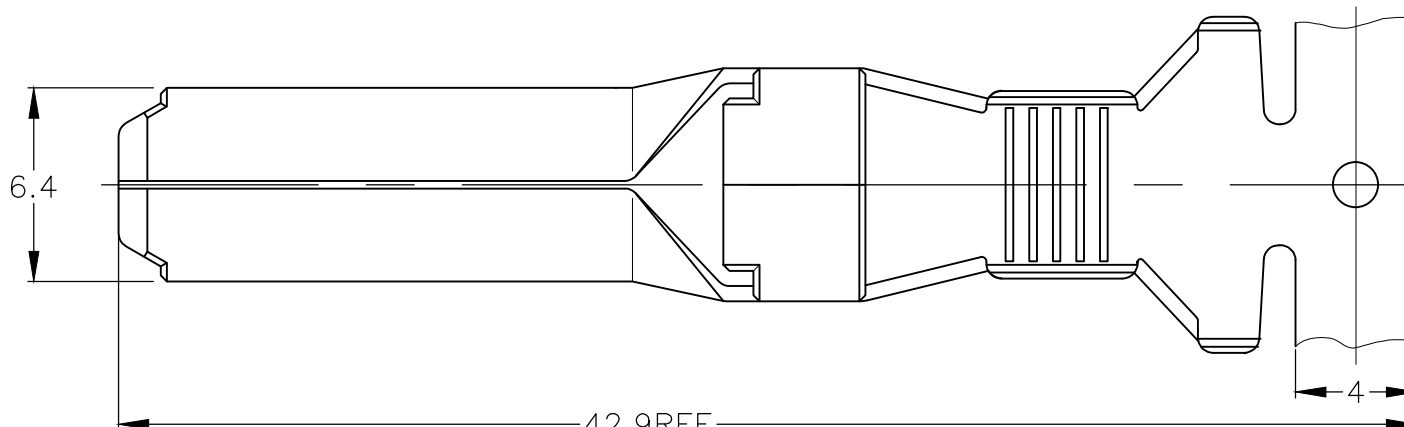
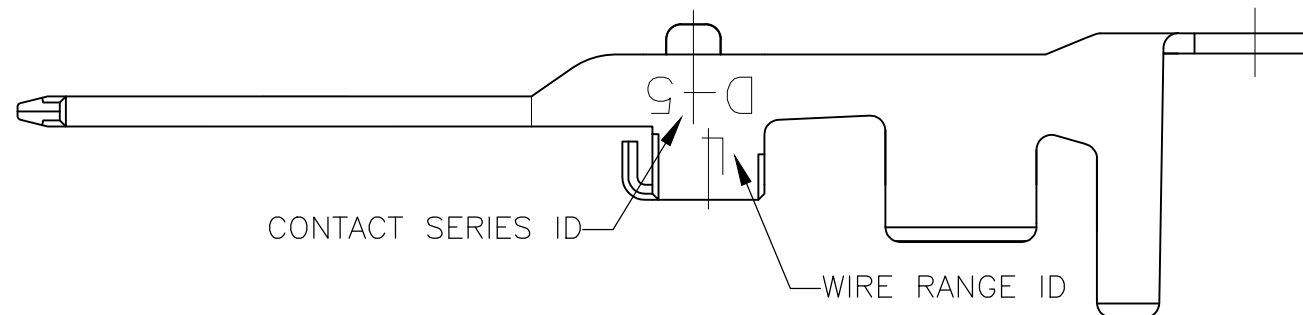
© COPYRIGHT - TE Connectivity Ltd.

ALL RIGHTS RESERVED.

P	LTR	DESCRIPTION	DATE	DWN	APVD
	A	RELEASED	16MAR2018	RI	EI

AS SHOWN : 2316819-1

- 1. MATERIAL : COPPER ALLOY
- 2. PLATING : 0.2um MIN GOLD PLATING OVER NICKEL PLATING
- 3. PLATING ID : -1 (GOLD)



2316819-1

PART NO.

WIRE RANGE (AWG #8)	INSULATION DIA
7.95 ~ 8.92 mm ²	ø4.90 ~ ø7.80 MAX

THIS DRAWING IS A CONTROLLED DOCUMENT.

DIMENSIONS: mm	TOLERANCES UNLESS OTHERWISE SPECIFIED:
	0 PLC ± 0.5
	1 PLC ± 0.5
	2 PLC ± 0.5
	3 PLC ± 0.5
	4 PLC ± 0.5
	ANGLES ± 5°
MATERIAL	FINISH
1	2

DWN	16MAR2018
R.ITO	
CHK	16MAR2018
T.SHIMOYASU	
APVD	16MAR2018
E.IKEMATSU	
PRODUCT SPEC	
108-5453	
APPLICATION SPEC	
114-5206	
WEIGHT	2.38g

TE Connectivity Ltd.			
TAB CONTACT, LONG L-SIZE			
DYNAMIC 5000 SERIES			
SIZE	CAGE CODE	DRAWING NO	RESTRICTED TO
A3	00779	C-2316819	-
CUSTOMER DRAWING		SCALE	SHEET
		4:1	1 OF 1
		REV	A