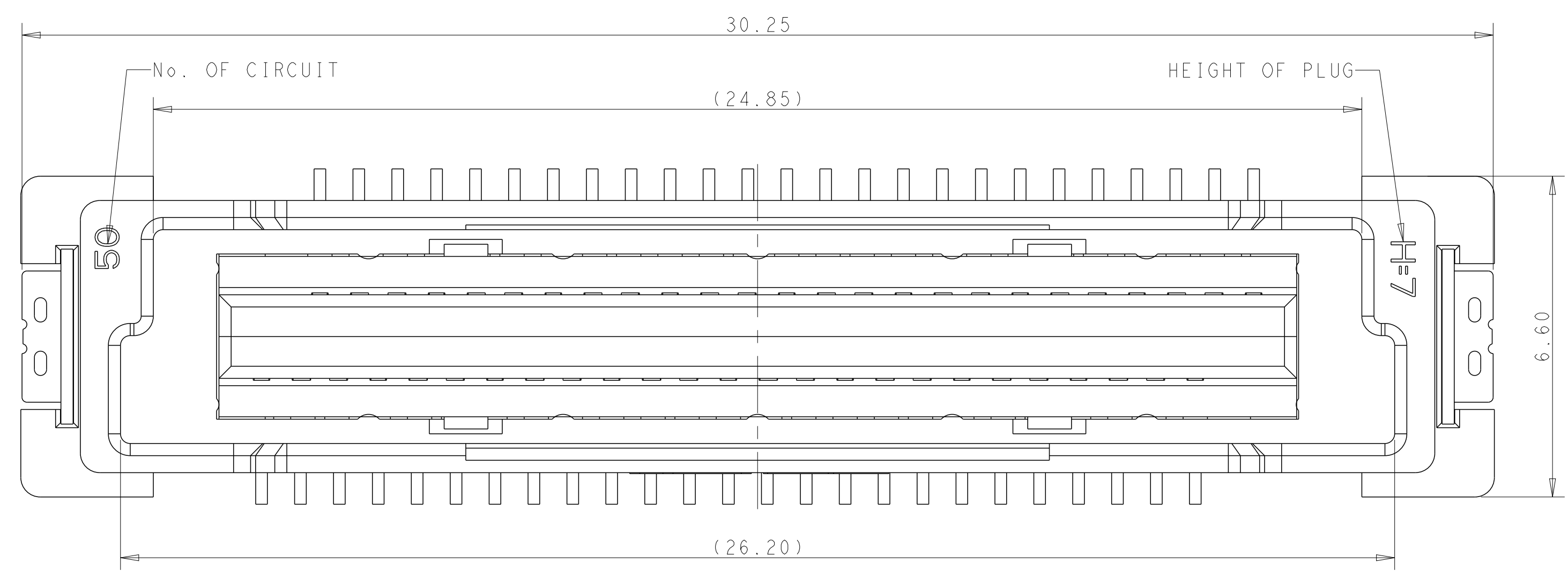
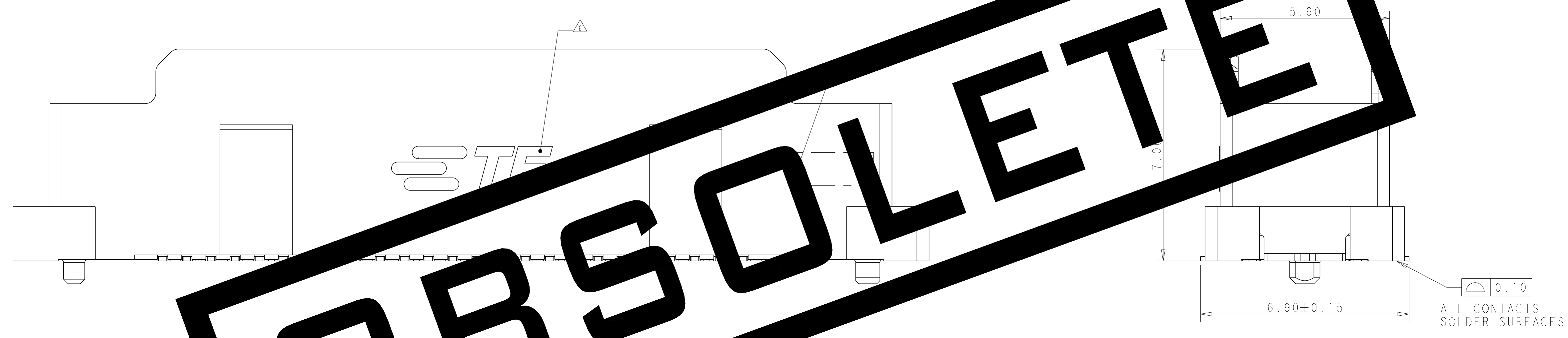


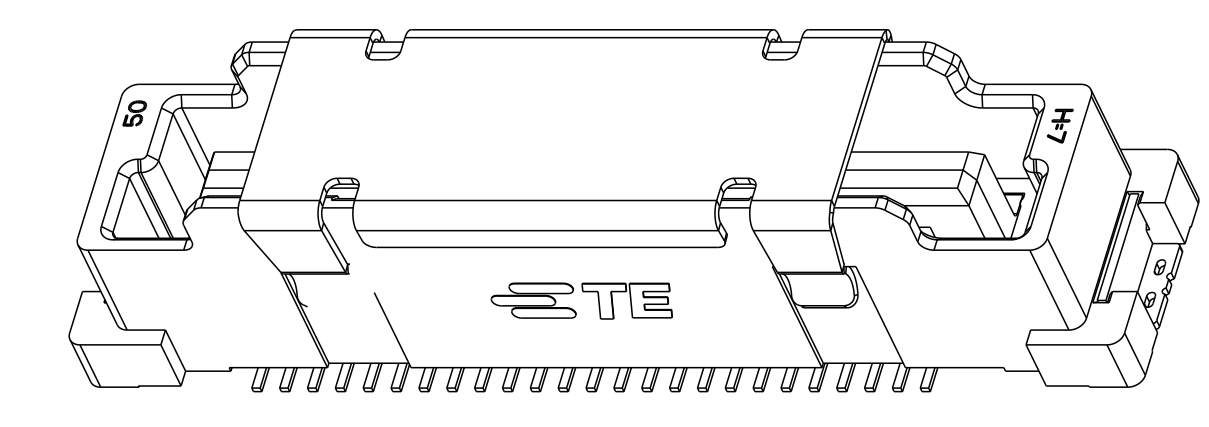
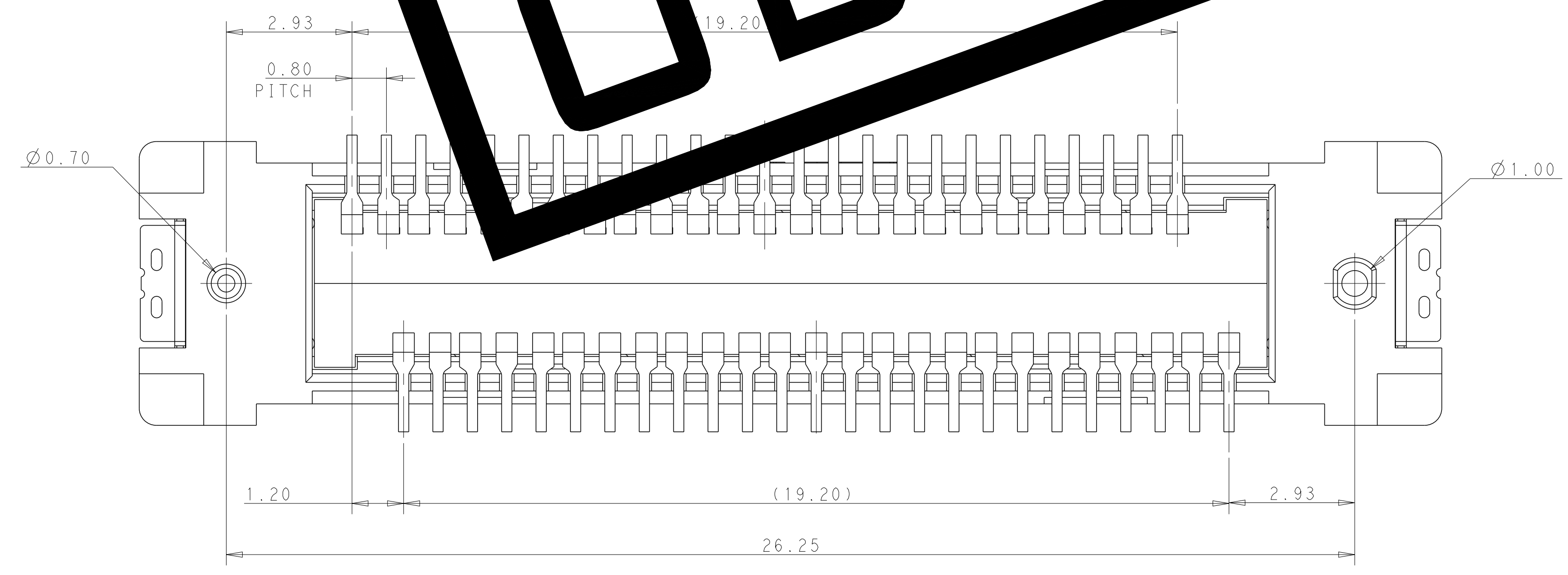
REVISIONS				
P. LTN	DESCRIPTION	DATE	DWN	APVD
6	ADD 150PINS VERSION	10JUL2018	A. L	



- NOTES:
- △ MATERIAL:  
HOUSING AND CONTACT OVERMOLD: LCP, BLACK.  
CARRY COVER: STAINLESS STEEL.  
CONTACTS: COPPER ALLOY.
  - △ FINISH:  
UNDERPLATE: 1.27um MIN. NICKEL ALL OVER.  
ENGAGEMENT AREA: SEE P/N LIST  
SOLDERING AREA: 2.54um MIN. MATTE TIN
  - △ DATUM AND BASIC DIMENSION ESTABLISHED BY CUSTOMER.
  - 4. DESIGNED FOR A 1.00 MIN THICK PC BOARD.
  - △ RECOMMENDED COMPONENT KEEP OUT AREA.
  - △ TE CONNECTIVITY LOGO MARKED IN APPROXIMATE AREA SHOWN.
  - △ PART NUMBER AND DATE CODE MARKED IN APPROXIMATE AREA SHOWN.
  - PACKAGE OPTION : TAPE & REEL, TUBE.



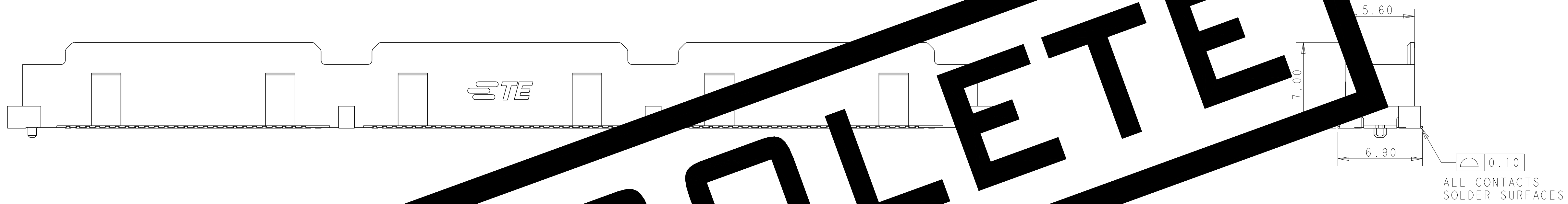
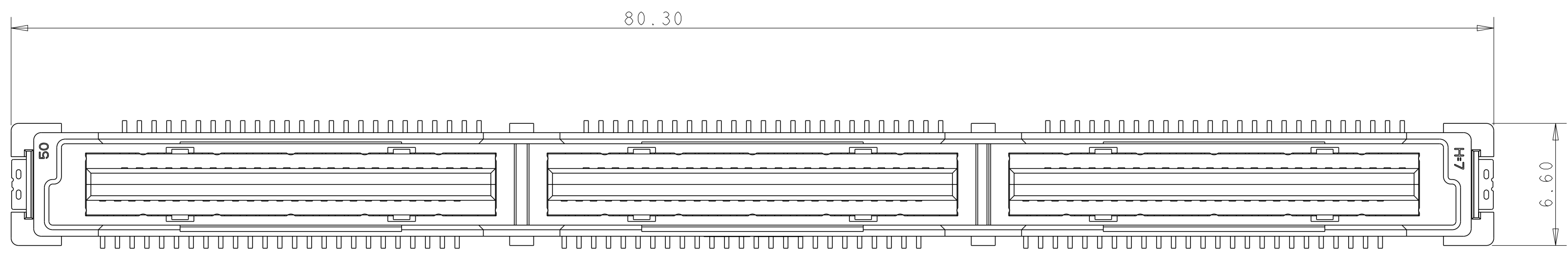
OBSOLETE



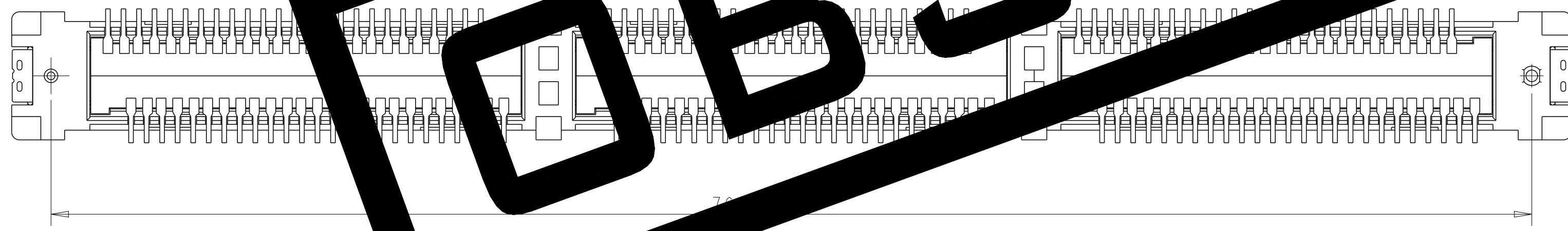
50PINS 7H PLUG CONNECTOR WITH COVER

THIS DRAWING IS A CONTROLLED DOCUMENT.		DWN: ART.LIN 10JUL2018	<b>STE</b> TE Connectivity	
DIMENSIONS: mm		CHK: -		
TOLERANCES UNLESS OTHERWISE SPECIFIED:		APVD: -	NAME: FH+ BTB FAMILY	
0 PLC ±0.2		PRODUCT SPEC: 108-115138	7MM HEIGHT PLUG CONNECTOR	
1 PLC ±0.15		APPLICATION SPEC: 114-115019	SIZE: A1	RESTRICTED TO: -
2 PLC ±0.050		WEIGHT: -	CAGE CODE: 00779	DRAWING NO: C=2316375
3 PLC ±0.0050		CUSTOMER DRAWING	SCALE: 5:1	SHEET 1 OF 5
ANGLES ±2°				REV 6

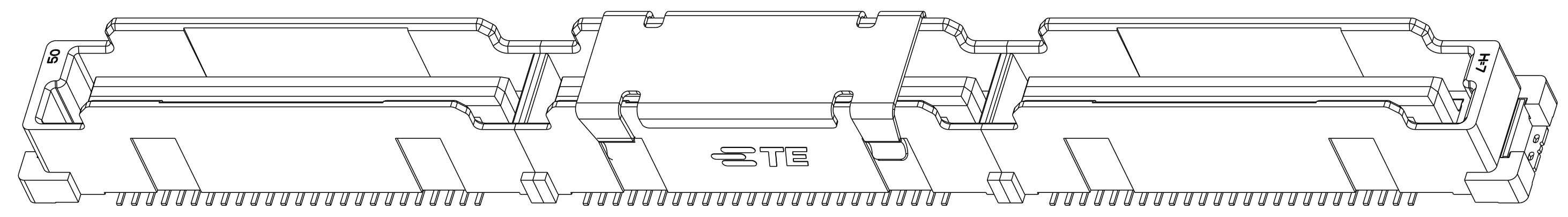
REVISIONS				
P.	LTN.	DESCRIPTION	DATE	APVD.
-	-	SEE SHEET 1	-	-



**OBSELETE**



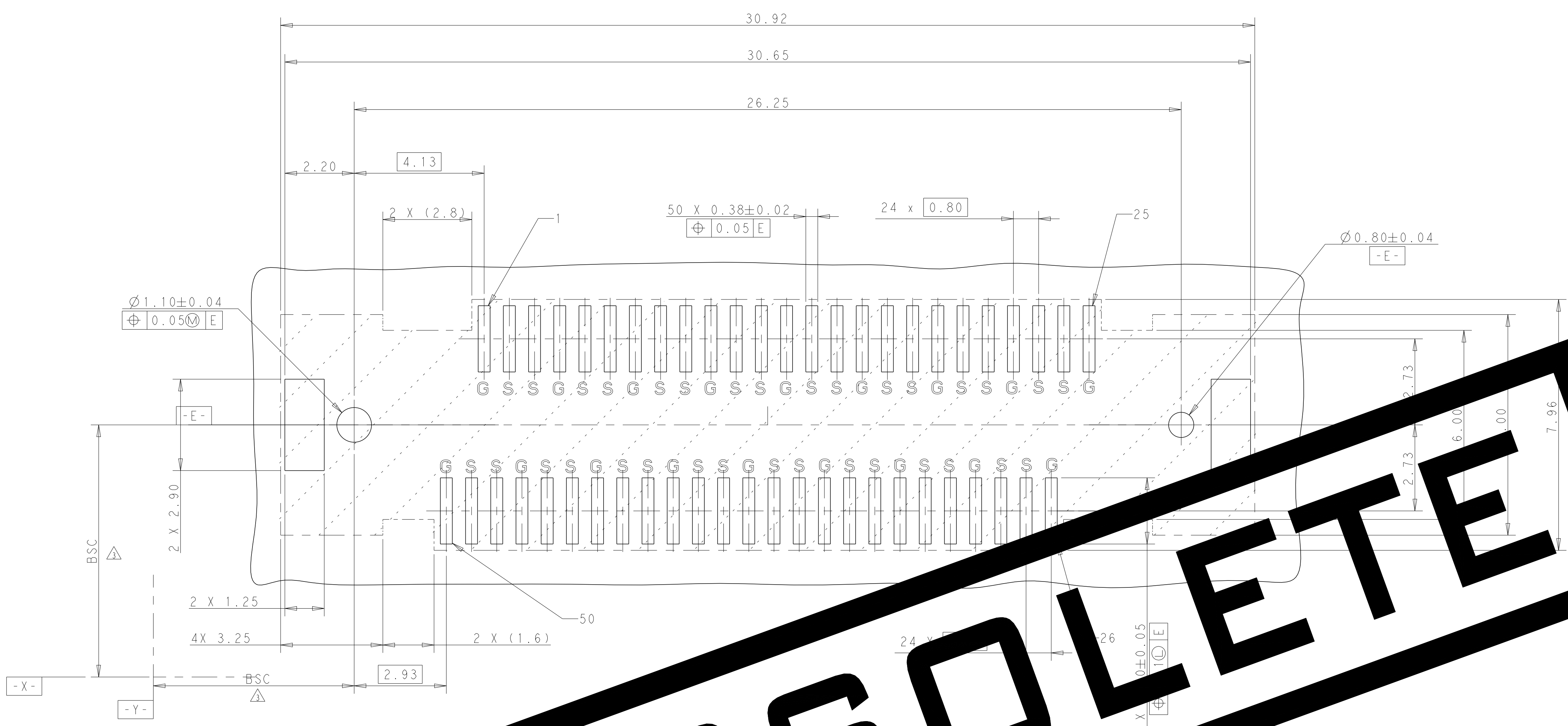
ALL THE OTHER DIMENSIONS ARE SAME WITH 50PINS CONNECTOR



SCALE 5:1  
 150PINS 7H PLUG CONNECTOR WITH COVER

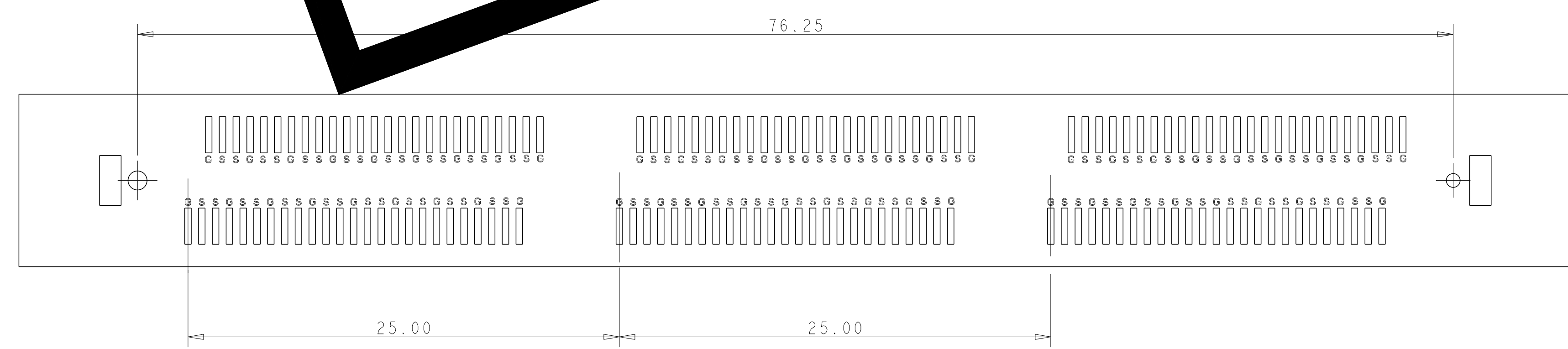
THIS DRAWING IS A CONTROLLED DOCUMENT.		DWN: ART.LIN 10JUL2018		
DIMENSIONS: mm		CHK: -		
TOLERANCES UNLESS OTHERWISE SPECIFIED: 0 PLC ±0.2 1 PLC ±0.15 2 PLC ±0.15 3 PLC ±0.050 4 PLC ±0.0050 ANGLES ±2° FINISH -		APVD: -	NAME: FH+ BTB FAMILY	
MATERIAL: -		PRODUCT SPEC: 108-115138	APPLICATION SPEC: 7MM HEIGHT PLUG CONNECTOR	
FINISH: -		SIZE: 114-115019	RESTRICTED TO: -	
CUSTOMER DRAWING		WEIGHT: -	SCALE: 5:1	
4805 (3/13)		CAGE CODE: A100779	DRAWING NO: C=2316375	
		SHEET: 2	OF: 5	
		REV: 6		

REVISIONS				
P.	LTN.	DESCRIPTION	DATE	APVD.
-	-	SEE SHEET 1	-	-



OBSOLETE

RECOMMENDED BY LAYOUT AND KEEP OUT AREA FOR 50PINS  
 SIGNAL GROUND

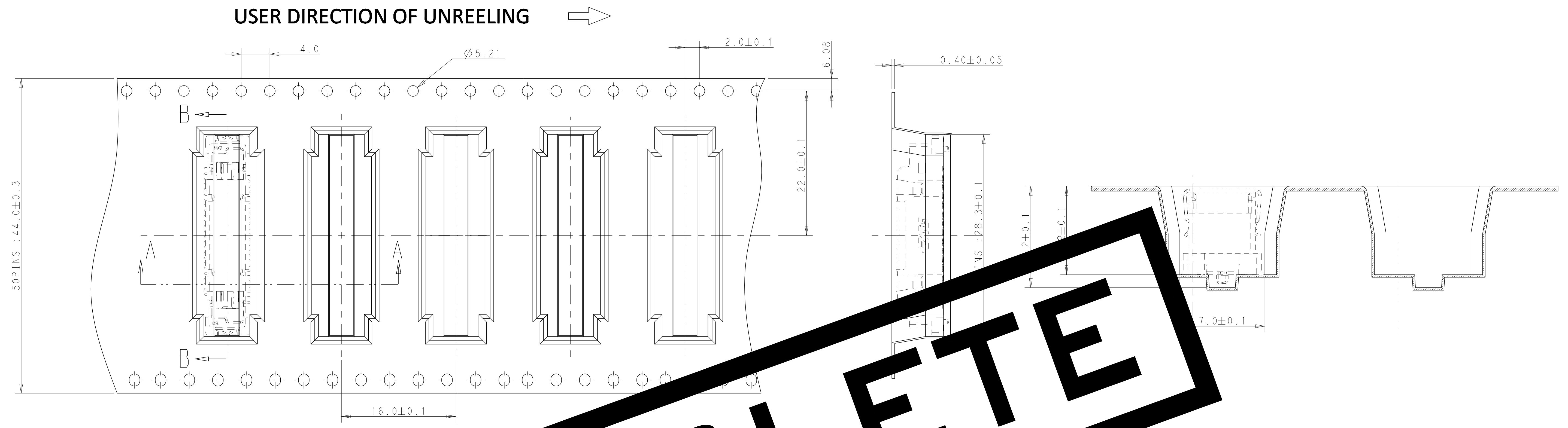


NOTE:  
 9. STENCIL THICKNESS: 0.10MM MIN.

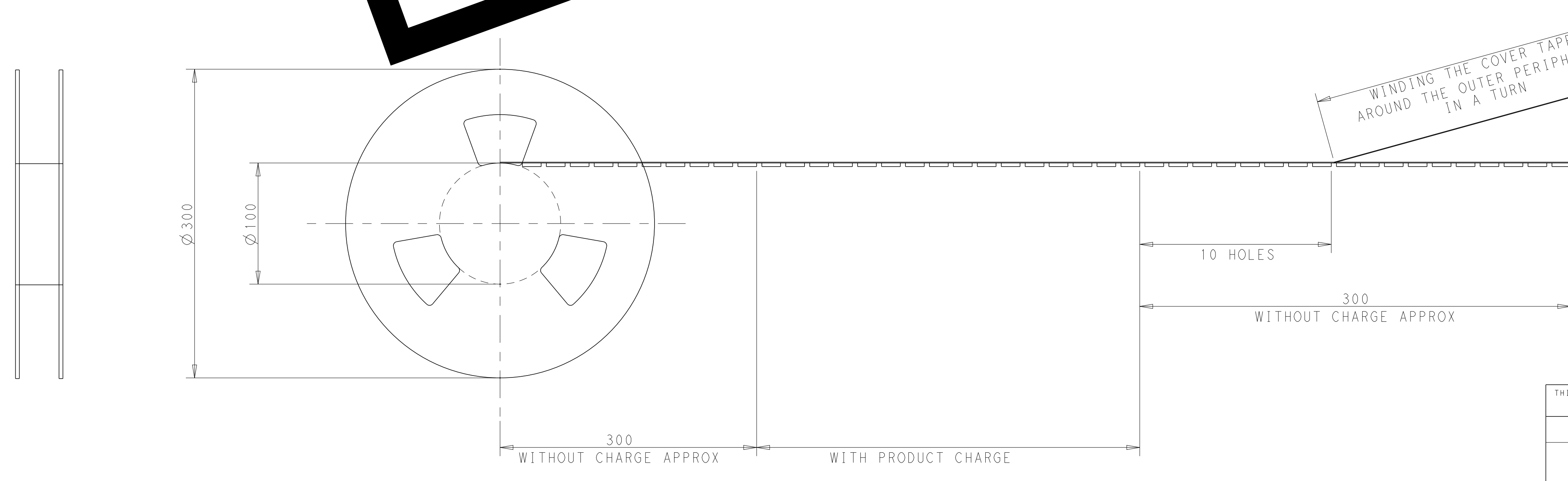
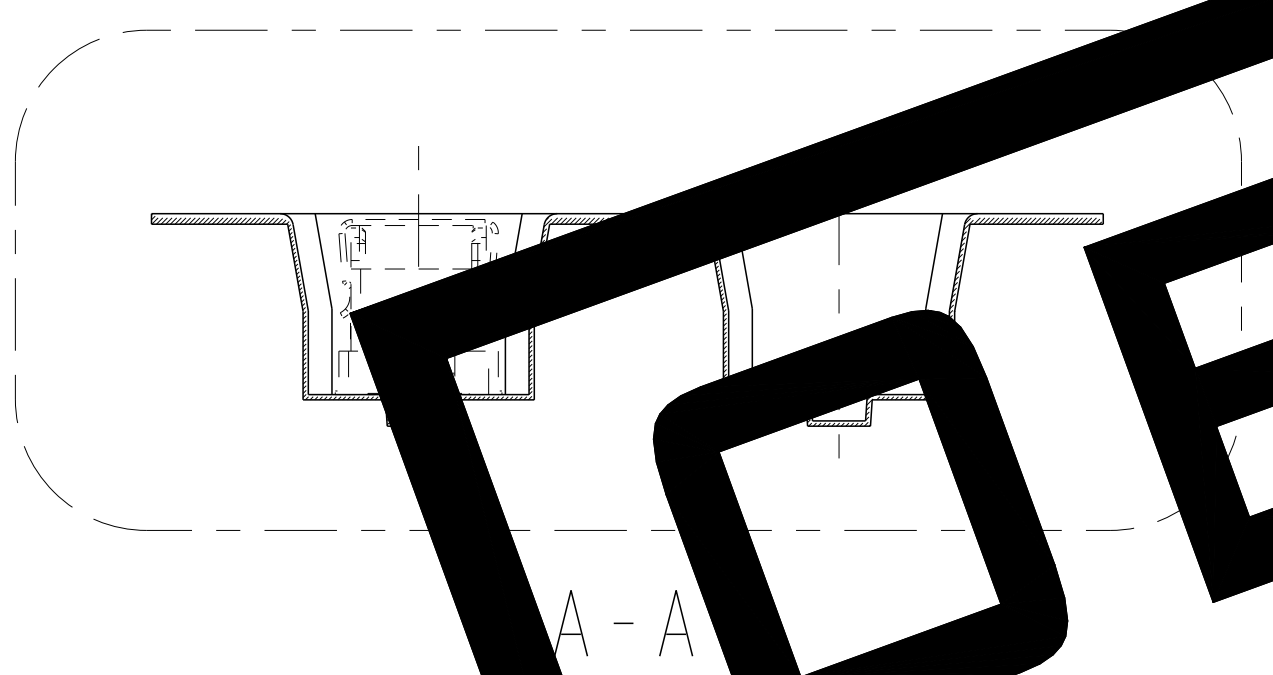
SCALE 5:1  
 RECOMMENDED PCB LAYOUT FOR 150PINS  
 THE OTHER DIMENSIONS ARE SAME WITH 50PINS

THIS DRAWING IS A CONTROLLED DOCUMENT.		DWN: ART.LIN 10JUL2018	<b>STE</b> TE Connectivity	
CHK: -		APVD: -		
DIMENSIONS: mm		TOLERANCES UNLESS OTHERWISE SPECIFIED:		NAME: FH+ BTB FAMILY
		0 PLC ±0.2	PRODUCT SPEC: 108-115138	NAME: 7MM HEIGHT PLUG CONNECTOR
		1 PLC ±0.15	APPLICATION SPEC: 114-115019	SIZE: A100779
		2 PLC ±0.050	RESTRICTED TO: -	CAGE CODE: -
		3 PLC ±0.0050	SCALE: 5:1	DRAWING NO: 2316375
MATERIAL: -		FINISH: -	WEIGHT: -	SHEET 3 OF 5
CUSTOMER DRAWING		SCALE: 5:1		REV 6

REVISIONS				
P	LTN	DESCRIPTION	DATE	APVD
-	-	SEE SHEET 1	-	-



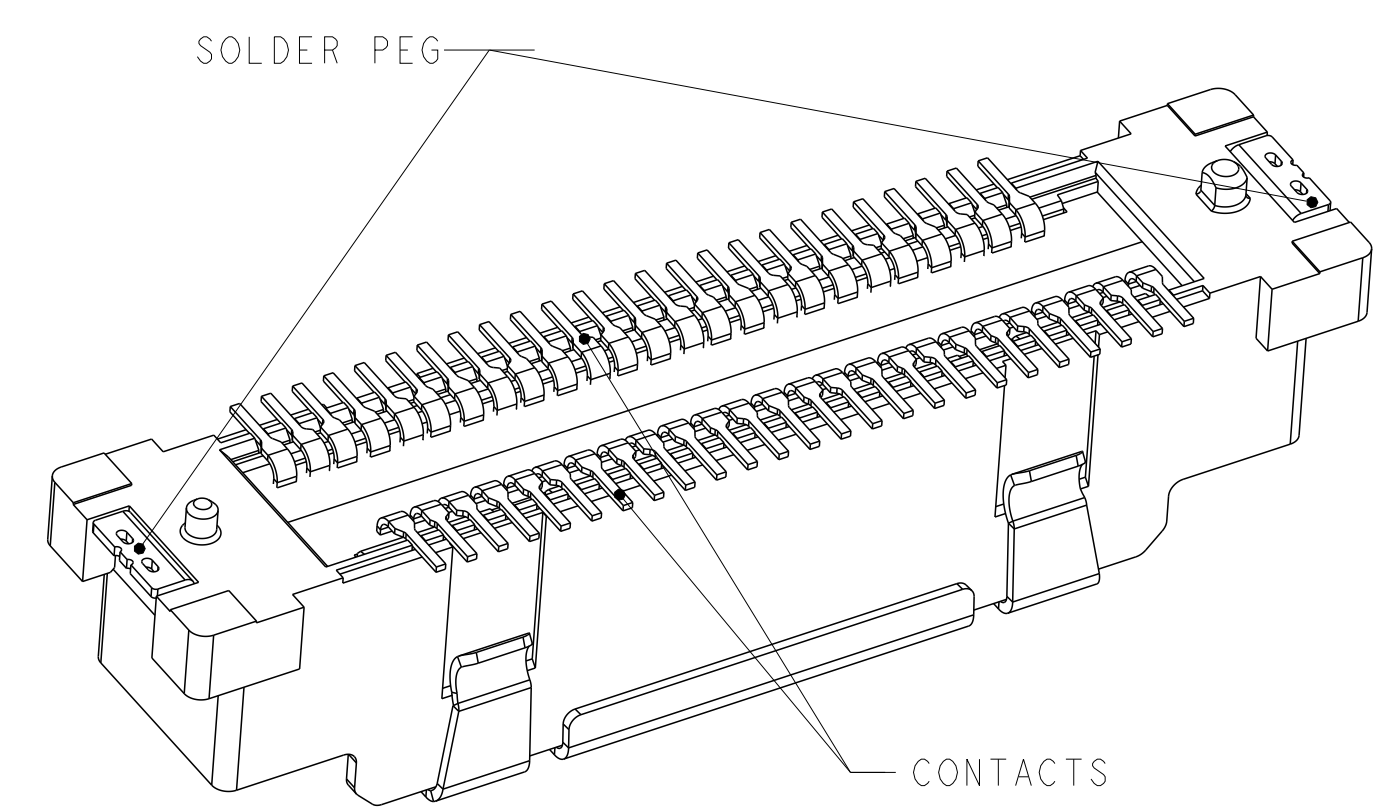
**OBSELETE**



NOTE:  
10. 560 PCS / REEL

THIS DRAWING IS A CONTROLLED DOCUMENT.		DWN	ART.LIN	10JUL2018
DIMENSIONS:		CHK	-	-
mm	0 PLC ±0.2	APVD	-	-
	1 PLC ±0.15	PRODUCT SPEC		
	2 PLC ±0.15	108-115138		
	3 PLC ±0.050	APPLICATION SPEC		
	4 PLC ±0.0050	SIZE	CAGE CODE	DRAWING NO
	ANGLES ±2°	114-115019	-	-
MATERIAL	FINISH	WEIGHT	-	-
-	-	A100779C=2316375		
CUSTOMER DRAWING		SCALE	5:1	SHEET 4 OF 5 REV 6

REVISIONS				
P. LTH	DESCRIPTION	DATE	DWN	APVD
-	SEE SHEET 1	-	-	-

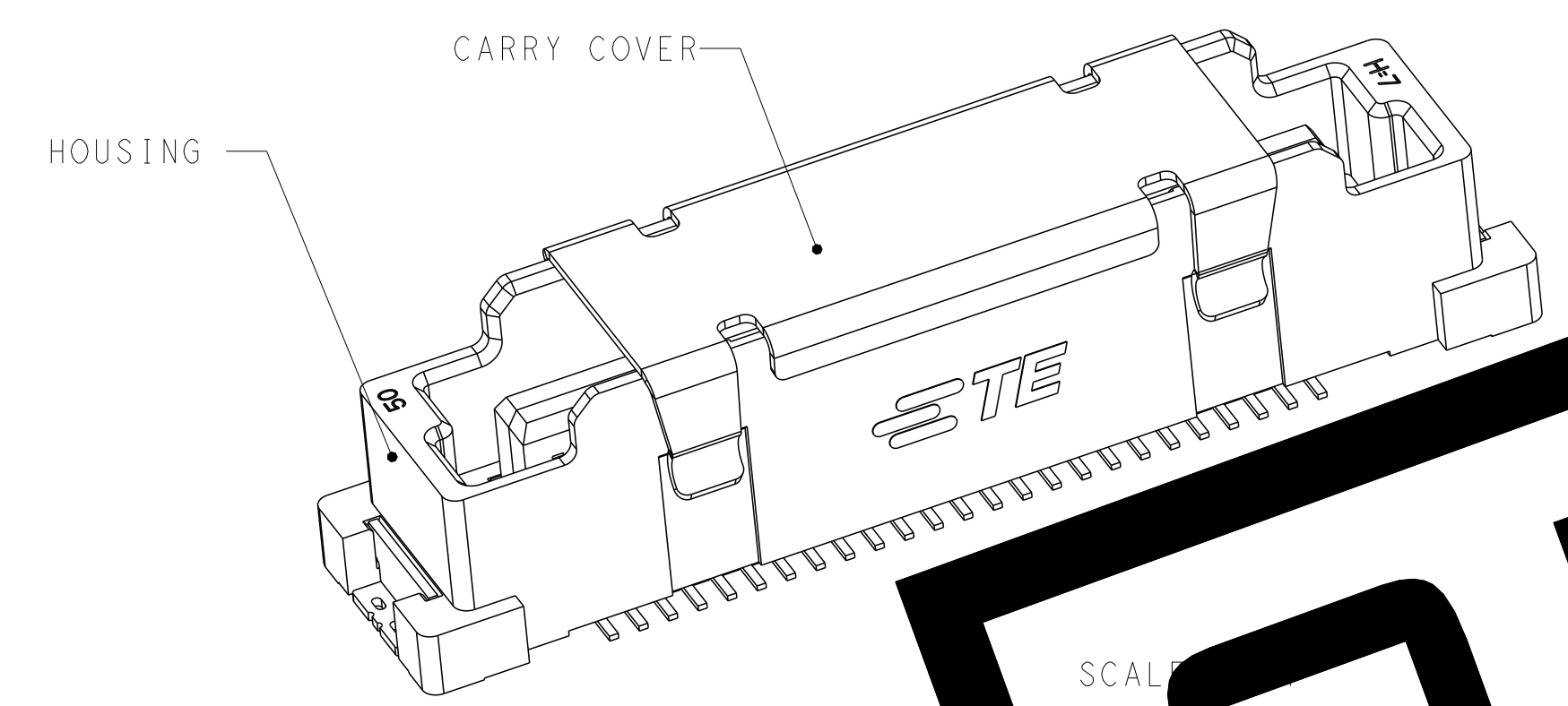


SCALE 6:1

PART NO : X-2316375-X

- BLANK: 30u" Au PLATED & TAPE AND REEL
- 1: 30u" Au PLATED & TUBE
- 2: 8u" Au PLATED & TAPE AND REEL
- 3: 8u" Au PLATED & TUBE
- 4: FLASH GOLD Au PLATED & TAPE AND REEL
- 5: FLASH GOLD PLATED & TUBE
- 6: RESERVED
- 7: RESERVED
- 8: RESERVED
- 9: RESERVED

- 1: 50POS & WITH CARRY COVER
- 2: 50POS & WITHOUT CARRY COVER
- 3: 100POS & WITH CARRY COVER
- 4: 100POS & WITHOUT CARRY COVER
- 5: 150POS & WITH CARRY COVER
- 6: 150POS & WITHOUT CARRY COVER
- 7: RESERVED
- 8: RESERVED
- 9: RESERVED

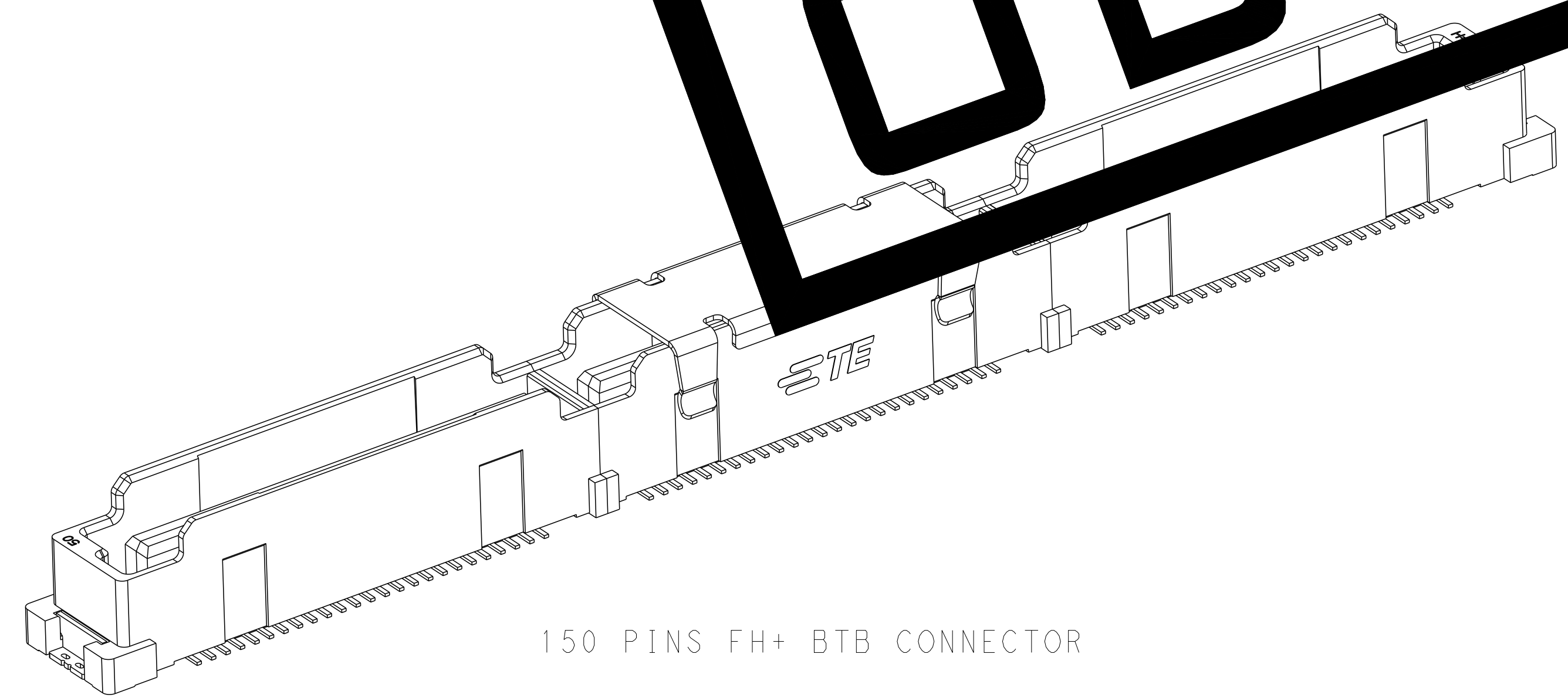


SCALE

**OBsolete**

TABLE P/N LIST

ASSY P/N	PACKAGE TYPE	CARRY COVER	PLATING Au TYPE
2316375-1	TAPE & REEL	YES	30u"
2316375-2	TAPE & REEL	NO	
1-2316375-1	TUBE	YES	8u"
1-2316375-2	TUBE	NO	
2-2316375-1	TAPE & REEL	YES	
2-2316375-2	TAPE & REEL	NO	
3-2316375-1	TUBE	YES	FLASH GOLD
3-2316375-2	TUBE	NO	
4-2316375-1	TAPE & REEL	YES	
4-2316375-2	TAPE & REEL	NO	
5-2316375-1	TUBE	YES	
5-2316375-2	TUBE	NO	



150 PINS FH+ BTB CONNECTOR

THIS DRAWING IS A CONTROLLED DOCUMENT. DWN: ART.LIN 10JUL2018

CHK: -

APVD: -

NAME: FH+ BTB FAMILY

PRODUCT SPEC: -

APPLICATION SPEC: 108-115138

SIZE: 114-115019

RESTRICTED TO: -

MATERIAL: -

FINISH: -

WEIGHT: -

CUSTOMER DRAWING

SCALE: 5:1

SHEET: 5 OF 5

REV: 6

STE TE Connectivity

7MM HEIGHT PLUG CONNECTOR

A100779C=2316375