

4

3

2

1

© 2019 TE Connectivity. All Rights Reserved.

REVISIONS

P	LTR	DESCRIPTION	DATE	DWN	APVD
	A	INITIAL REL PER LC20-0101-19	16SEP2019	JG	BJ
	A1	LC20-0031-20 / ECO-20-006723	13MAY2020	JG	BJ
	B	PART NUMBER 2315987-8 ADDED IN TABLE	08SEP2021	RS	MP

C290

R529

R564

1. ACCOMMODATES:
SEE TABLE.

2. MARKING:

STE[PART NO.]
[CATALOG DESCRIPTION]
[PIPE SIZE]
[DATECODE]

3. ALL DIMENSIONS ARE FOR REFERENCE ONLY.

M12 STAINLESS STEEL
BOLT: 44 lbf

6	7 5/16	8 1/4	5	TTPA 82 T5"IPS 100X150 R564	5" IPS	2315987-8	8.5
6	8 7/16	9 1/2	5	TTPA 82 T6"EHPS 100X150 R529	6" EHPS	2315987-7	10.8
6	8 7/16	9 1/2	5	TTPA 82 T6"IPS 100X150 R529	6" IPS	2315987-6	9.5
6	7 5/16	8 1/4	5	TTPA 82 T5"IPS 100X150 R529	5" IPS	2315987-5	8.4
4	6 7/16	7	5	TTPA 82 T4"IPS 100 C290	4" IPS	2315987-4	6.6
4	5 3/4	6 1/2	5	TTPA 82 T3"1/2IPS 100 C290	3"1/2 IPS	2315987-3	6.1
4	5 1/2	6 1/8	5	TTPA 82 T3"IPS 100 C290	3" IPS	2315987-2	5.5
4	4 3/16	5 1/8	5	TTPA 82 T2"1/2IPS 100 C290	2"1/2 IPS	2315987-1	4.1
C	B	A		DESCRIPTION	PIPE SIZE	PART NO.	WEIGHT(lbs)

THIS DRAWING IS A CONTROLLED DOCUMENT.

DWN J. GUPPY 09SEP2019

CHK A. BULZA 16SEP2019

APVD B. JOHNSON 16SEP2019

PRODUCT SPEC

APPLICATION SPEC

WEIGHT

CUSTOMER DRAWING

DIMENSIONS:
INCHES

MATERIAL
ALUM ALLOYTOLERANCES UNLESS
OTHERWISE SPECIFIED:

0 PLC	±
1 PLC	±
2 PLC	±
3 PLC	±
4 PLC	±
ANGLES	±
FINISH	-

STE

TE Connectivity

NAME
BOLTED AXIAL TERMINAL CONNECTOR
2 1/2 IPS TO 6 IPS CONDUCTOR TO
NEMA PAD, SIMABUS

SIZE CAGE CODE DRAWING NO RESTRICTED TO

A3 00779 C-2315987 -

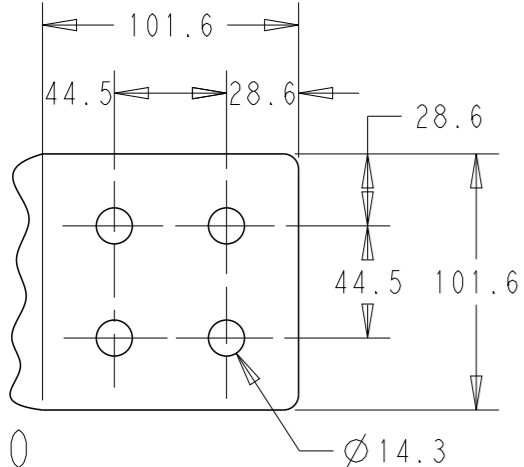
SCALE NTS SHEET 1 OF 2 REV B

1470-19 (3/13)

© 2019 TE Connectivity. All Rights Reserved.

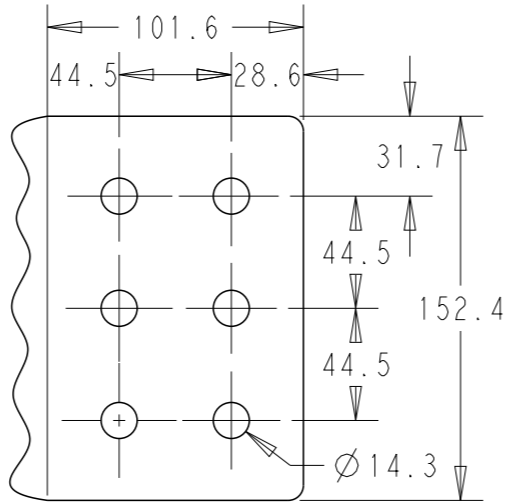
REVISIONS

P	LTR	DESCRIPTION	DATE	DWN	APVD
-	-	SEE SHEET 1			



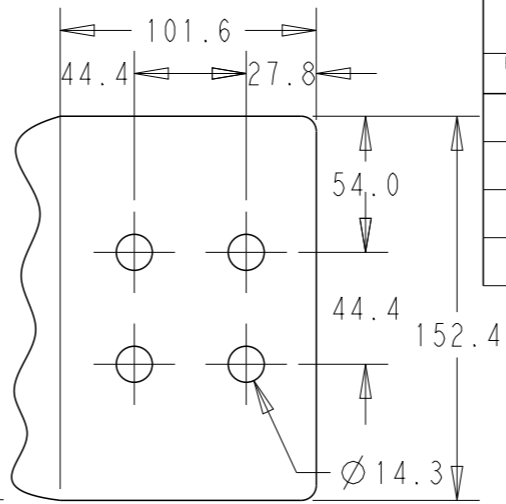
C290

Ø14.3



R529

Ø14.3



R564

Ø14.3

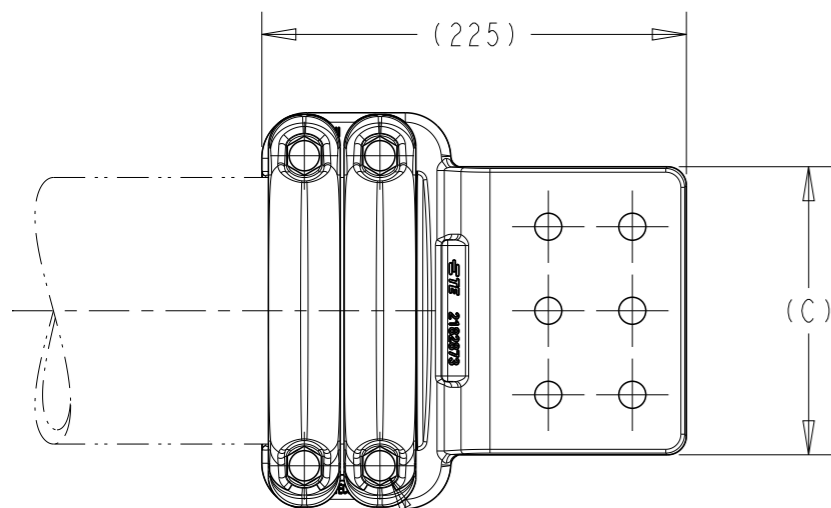
1. ACCOMMODATES:
SEE TABLE.

2. MARKING:

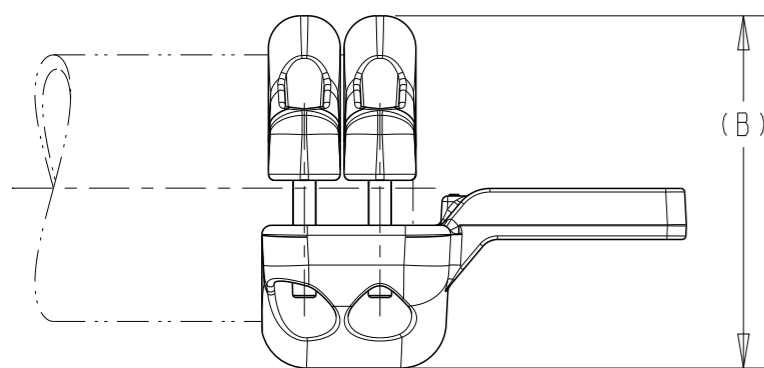


[PART NO.]
[CATALOG DESCRIPTION]
[PIPE SIZE]
[DATECODE]

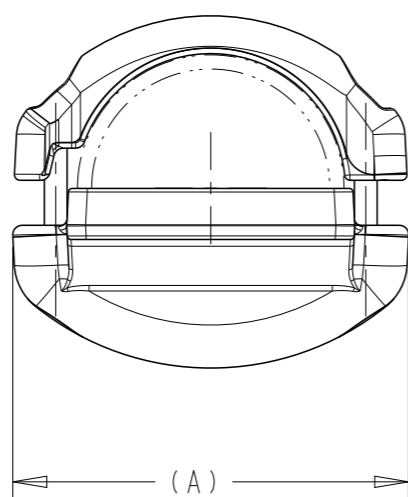
3. ALL DIMENSIONS ARE FOR REFERENCE ONLY.



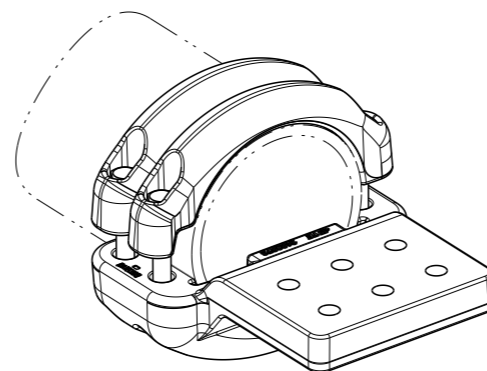
M12 STAINLESS STEEL BOLT: 60 Nm



(B)



(A)



152.4	186	210	5	TTPA 82 T5"IPS 100X150 R564	141.3	2315987-8	3.83	
152.4	214	240	5	TTPA 82 T6"EHPS 100X150 R529	168.3	2315987-7	4.92	
152.4	214	240	5	TTPA 82 T6"IPS 100X150 R529	168.3	2315987-6	4.32	
152.4	186	210	5	TTPA 82 T5"IPS 100X150 R529	141.3	2315987-5	3.81	
101.6	163	179	5	TTPA 82 T4"IPS 100 C290	114.3	2315987-4	3.01	
101.6	147	165	5	TTPA 82 T3"1/2IPS 100 C290	101.6	2315987-3	2.74	
101.6	140	155	5	TTPA 82 T3"IPS 100 C290	88.9	2315987-2	2.48	
101.6	106	130	5	TTPA 82 T2"1/2IPS 100 C290	73.0	2315987-1	1.87	
C	B	A	DESCRIPTION			PIPE O.D.	PART NO.	WEIGHT(kg)

THIS DRAWING IS A CONTROLLED DOCUMENT.

DWN J. GUPPY 09SEP2019

CHK A. BULZA 16SEP2019

APVD B. JOHNSON 16SEP2019

PRODUCT SPEC

APPLICATION SPEC

WEIGHT

CUSTOMER DRAWING



TE Connectivity

NAME
BOLTED AXIAL TERMINAL CONNECTOR
2 1/2 IPS TO 6 IPS CONDUCTOR TO
NEMA PAD, SIMABUS

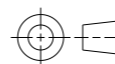
SIZE	CAGE CODE	DRAWING NO	RESTRICTED TO
------	-----------	------------	---------------

A3	00779	C-2315987	-
----	-------	-----------	---

SCALE	SHEET	OF	REV
NTS	2	2	B

DIMENSIONS:

mm



TOLERANCES UNLESS OTHERWISE SPECIFIED:

0 PLC	±
1 PLC	±
2 PLC	±
3 PLC	±
4 PLC	±
ANGLES	±
FINISH	-

MATERIAL ALUM ALLOY