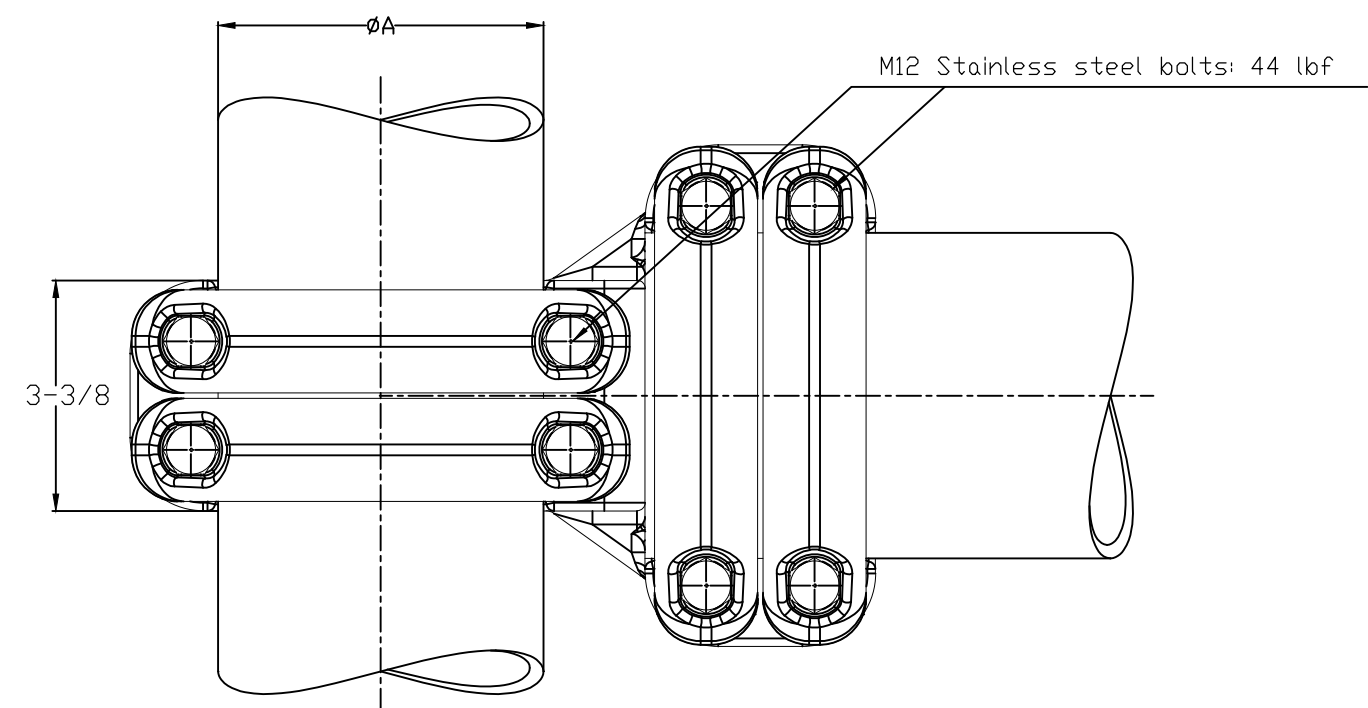
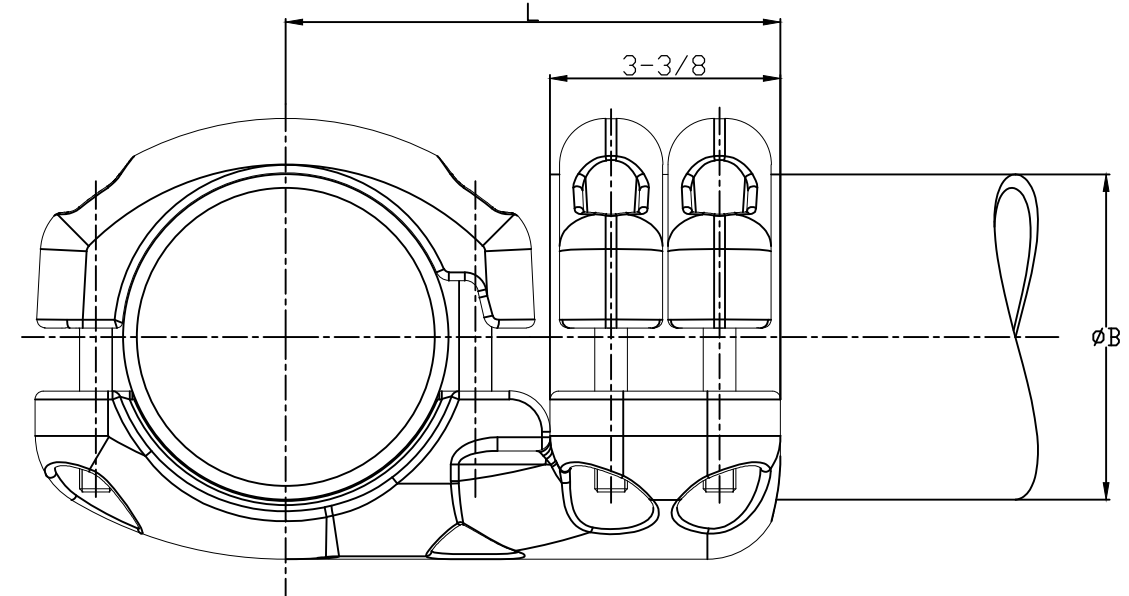
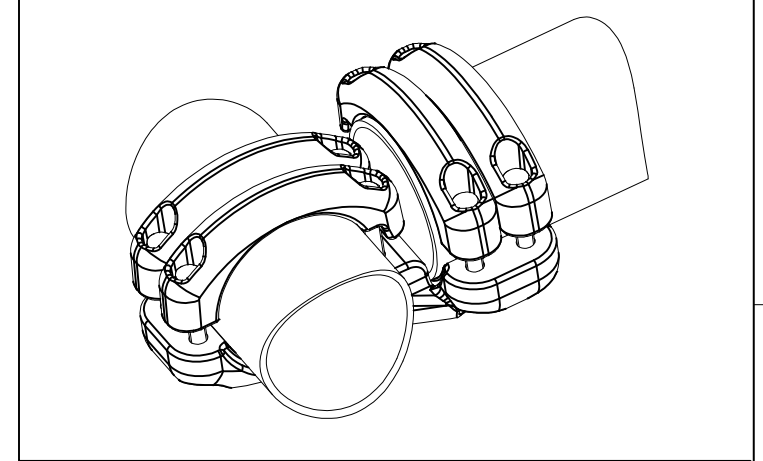


THIS DRAWING IS UNPUBLISHED. RELEASED FOR PUBLICATION  
 © COPYRIGHT - TE Connectivity Ltd. ALL RIGHTS RESERVED.

REVISIONS					
P	LTR	DESCRIPTION	DATE	DWN	APVD
	A	INITIAL REL PER LC20-0007-19	24MAY2019	JG	BJ



IPS	øA	øB	L	DESCRIPTION	PART NUMBER	WEIGHT (Lbs)
2-1/2	2-7/8	2-7/8	6-1/4	5 TD 82 T2*1/2IPS	2315985-1	6,8
3	3-1/2	3-1/2	6-1/2	5 TD 82 T3*IPS	2315985-2	7,3
3-1/2	4	4	6-3/4	5 TD 82 T3*1/2IPS	2315985-3	8,8
4	4-1/2	4-1/2	7	5 TD 82 T4*IPS	2315985-4	10
5	5-9/16	5-9/16	7-5/8	5 TD 82 T5*IPS	2315985-5	11
6	6-5/8	6-5/8	8	5 TD 82 T6*IPS	2315985-6	12,6

THIS DRAWING IS A CONTROLLED DOCUMENT.		DWN G. LAFORGE 25JAN2017	TE Connectivity Ltd.		
DIMENSIONS: INCHES		CHK -			
TOLERANCES UNLESS OTHERWISE SPECIFIED:		APVD -	BOLTED TEE CONNECTOR		
0 PLC ±		PRODUCT SPEC -	2 1/2 TO 6 INCH IPS		
1 PLC ±		APPLICATION SPEC -	SIMABUS		
2 PLC ±		SIZE -	SIZE	CAGE CODE	DRAWING NO
3 PLC ±		WEIGHT SEE TABLE	A3	00779	C-2315985
4 PLC ±		CUSTOMER DRAWING	SCALE NTS		SHEET 1 OF 2
ANGLES ±			REV A		
FINISH -					
MATERIAL ALUM ALLOY					

THIS DRAWING IS UNPUBLISHED.

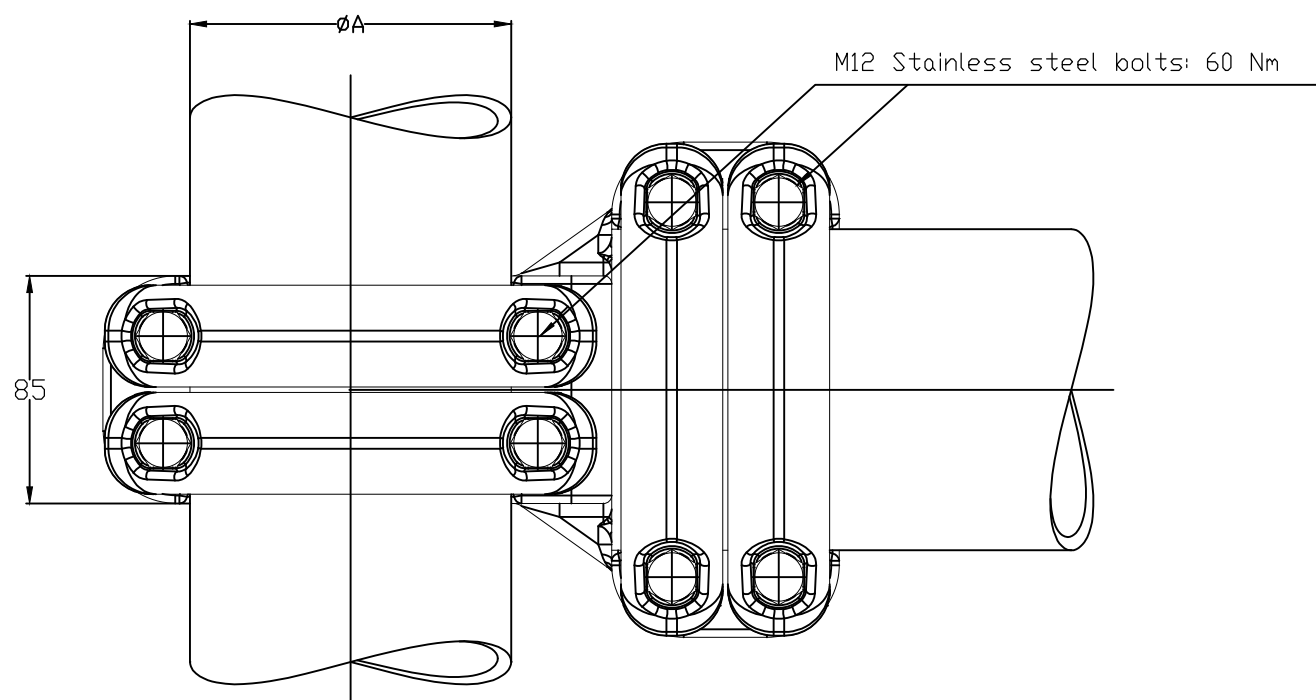
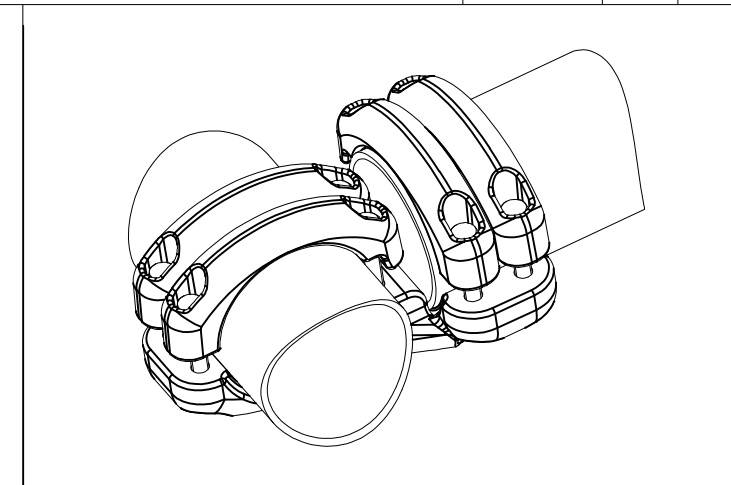
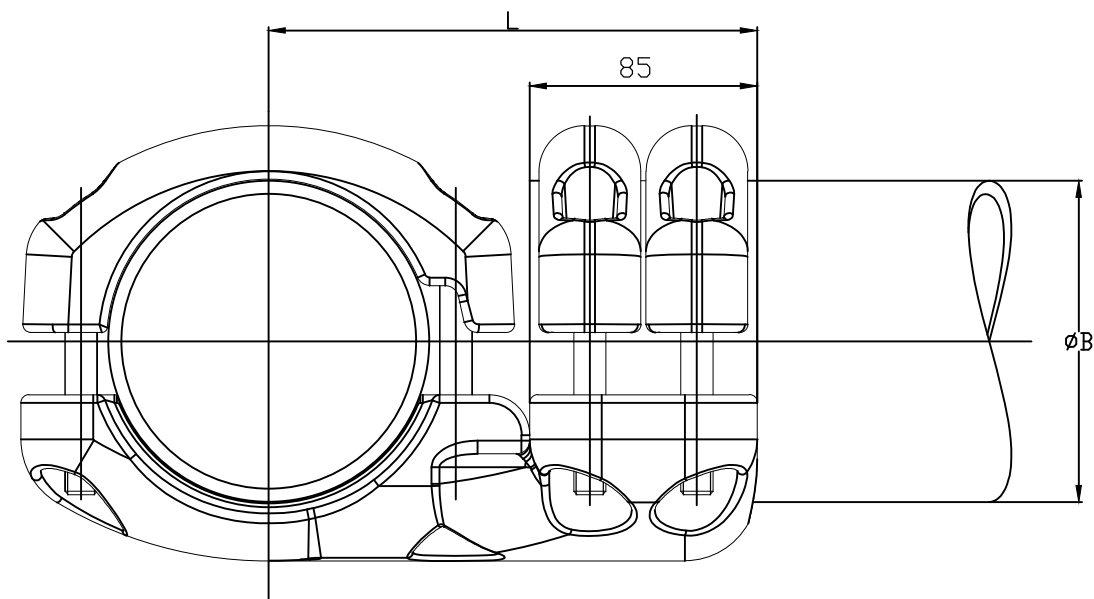
RELEASED FOR PUBLICATION

© COPYRIGHT - TE Connectivity Ltd.

ALL RIGHTS RESERVED.

REVISIONS

P	LTR	DESCRIPTION	DATE	DWN	APVD
-	-	SEE SHEET 1	-	-	-



IPS	$\phi A$	$\phi B$	L	DESCRIPTION	PART NUMBER	WEIGHT (Lbs)
2-1/2	73.0	73.0	160	5 TD 82 T2*1/2IPS	2315985-1	6,8
3	88.9	88.9	165	5 TD 82 T3*IPS	2315985-2	7,3
3-1/2	101.6	101.6	169	5 TD 82 T3*1/2IPS	2315985-3	8,8
4	114.3	114.3	178	5 TD 82 T4*IPS	2315985-4	10
5	141.3	141.3	195	5 TD 82 T5*IPS	2315985-5	11
6	168.2	168.2	208	5 TD 82 T6*IPS	2315985-6	12,6

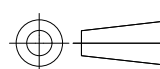
THIS DRAWING IS A CONTROLLED DOCUMENT.

DWN G. LAFORGE 25JAN2017



DIMENSIONS: mm

TOLERANCES UNLESS OTHERWISE SPECIFIED:



0 PLC	$\pm$
1 PLC	$\pm$
2 PLC	$\pm$
3 PLC	$\pm$
4 PLC	$\pm$
ANGLES	$\pm$

MATERIAL ALUM ALLOY

FINISH -

CHK	-
APVD	-
PRODUCT SPEC	-
APPLICATION SPEC	-
WEIGHT	SEE TABLE

NAME  
 BOLTED TEE CONNECTOR  
 2 1/2 TO 6 INCH IPS  
 SIMABUS

SIZE	CAGE CODE	DRAWING NO	RESTRICTED TO
A3	00779	C-2315985	-

CUSTOMER DRAWING SCALE NTS SHEET 2 OF 2 REV A