

THIS DRAWING IS UNPUBLISHED.

RELEASED FOR PUBLICATION

ALL RIGHTS RESERVED.

© COPYRIGHT - By -

REVISIONS

P	LTR	DESCRIPTION	DATE	DWN	APVD
C		1-2315929-1 ADDED IN TABLE	06AUG2021	RS	CG

FIG. 1: PCD 3/5

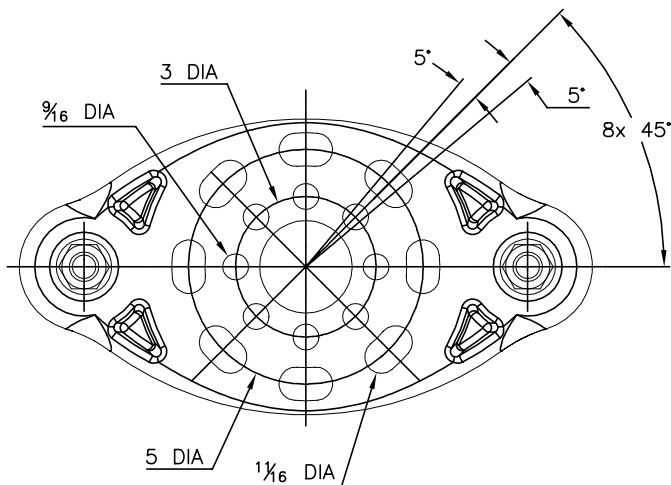
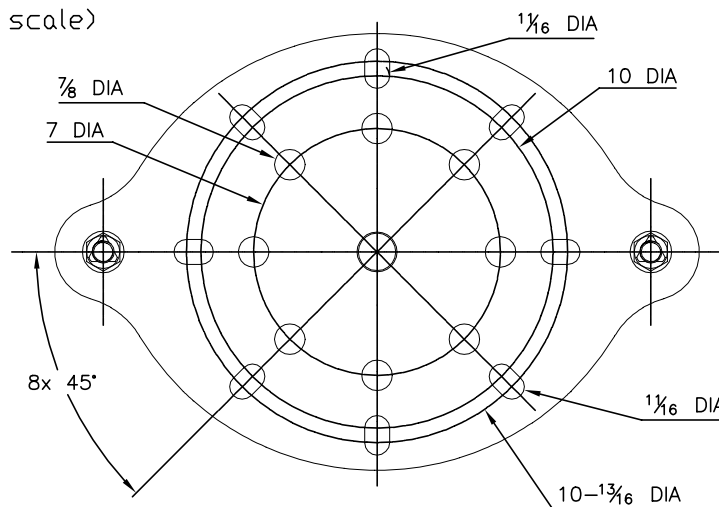
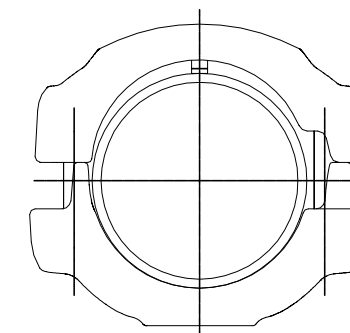


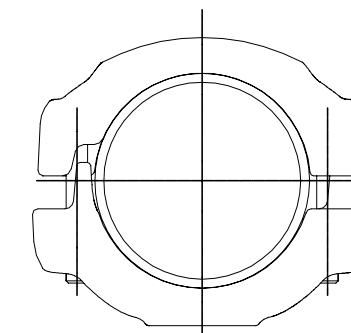
FIG. 2: PCD 7/10/275  
(No scale)



(No scale)

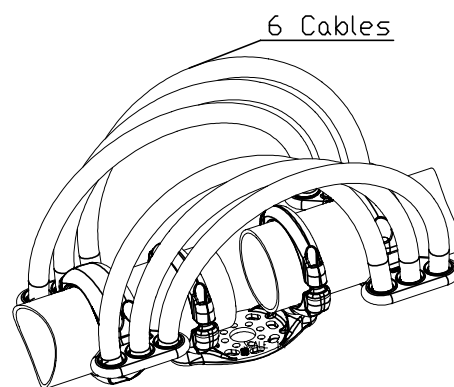


Sliding ✓

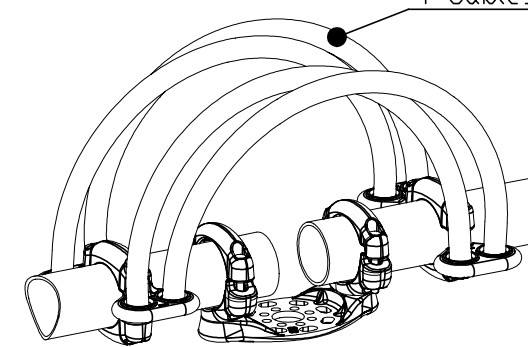


Fixed ✓

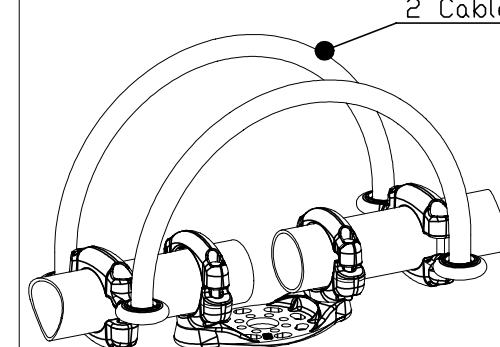
67 ==> 6 cables SAL 721  
69 ==> 6 cables SAL 910



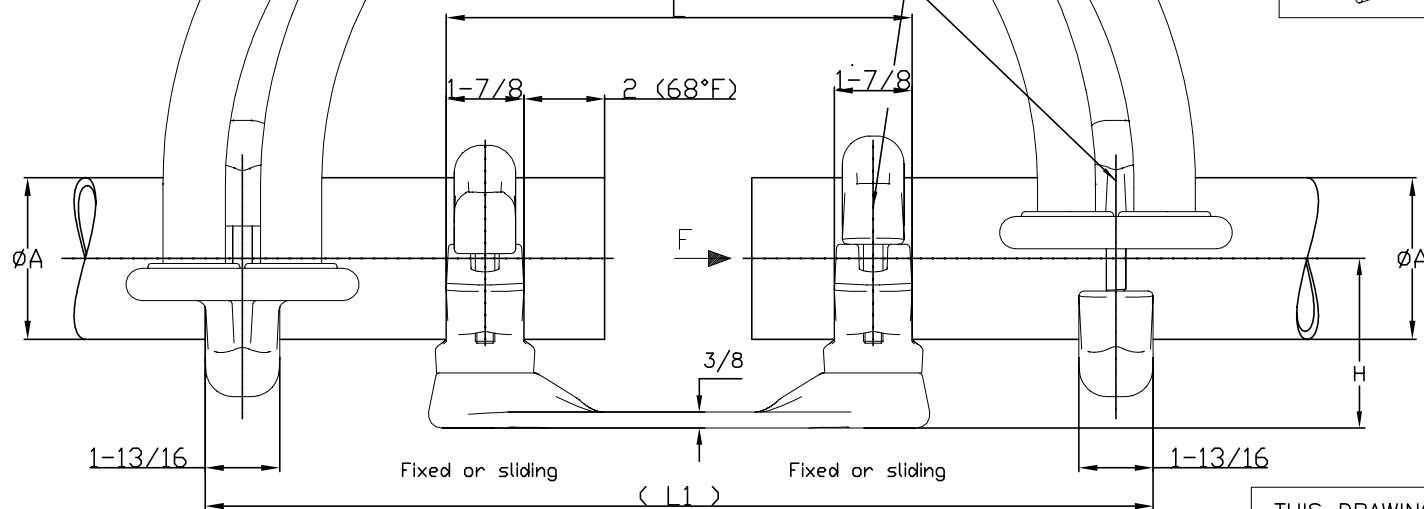
47 ==> 4 cables SAL 721  
49 ==> 4 cables SAL 910



27 ==> 2 cables SAL 721  
29 ==> 2 cables SAL 910



1/2 DIA Stainless steel bolts A2 : 44 ft.lbf



IPS	øA	L	L1	H	FIG.	DESCRIPTION	PART NUMBER	WEIGHT (Lbs)
2-1/2	2-7/8	11-5/16	23-1/16	3-5/8	1	5 TJL 82 P3-P5 T2*1/2IPS 27	2315929-1	14.8
3	3-1/2	11-5/16	23-1/16	3-15/16	1	5 TJL 82 P3-P5 T3*IPS 29	2315929-2	16.6
3-1/2	4	11-5/16	23-1/16	4-3/16	1	5 TJL 82 P3-P5 T3*1/2IPS 29	2315929-3	20.2
4	4-1/2	11-5/16	23-1/16	4-7/16	1	5 TJL 82 P3-P5 T4*IPS 47	2315929-4	20.9
5	5-9/16	11-5/16	23-1/16	4-15/16	1	5 TJL 82 P3-P5 T5*IPS 47	2315929-5	27.1
5	5-9/16	17-7/16	27-3/16	4-15/16	2	5 TJL 82 P7-P10-P275 T5*IPS 47	2315929-6	28.6
6	6-5/8	11-5/16	23-1/16	5-1/2	1	5 TJL 82 P3-P5 T6*IPS 49	2315929-7	32.2
6	6-5/8	17-7/16	27-3/16	5-1/2	2	5 TJL 82 P7-P10-P275 T6*IPS 49	2315929-8	33.7
6 EHPS	6-5/8	11-5/16	23-1/16	5-1/2	1	5 TJL 82 P3-P5 T6*EHPS 69	2315929-9	37.4
6 EHPS	6-5/8	17-7/16	27-3/16	5-1/2	2	5 TJL 82 P7-P10-P275 T6*EHPS 69	1-2315929-0	39.6
4	4-1/2	17-7/16	27-3/16	4-7/16	2	5 TJL 82 P7-P10-P275 T4*IPS 47	1-2315929-1	25.3

THIS DRAWING IS A CONTROLLED DOCUMENT.

DWN GARNIER P. 23-Jan-17

CHK A. BULZA 09JUN2020

APVD B. JOHNSON 12JUN2020

PRODUCT SPEC

APPLICATION SPEC

APPROX. WEIGHT - Lbs

CUSTOMER DRAWING



BOLTED EXPANSION, BUS COUPLER ON BPI, 2 1/2 TO 6 IPS, SIMABUS

SIZE	CAGE CODE	DRAWING NO	RESTRICTED TO
A3	00779	C-2315929	-

SCALE	SHEET	REV
NTS	1 OF 1	C