

THIS DRAWING IS UNPUBLISHED.

RELEASED FOR PUBLICATION

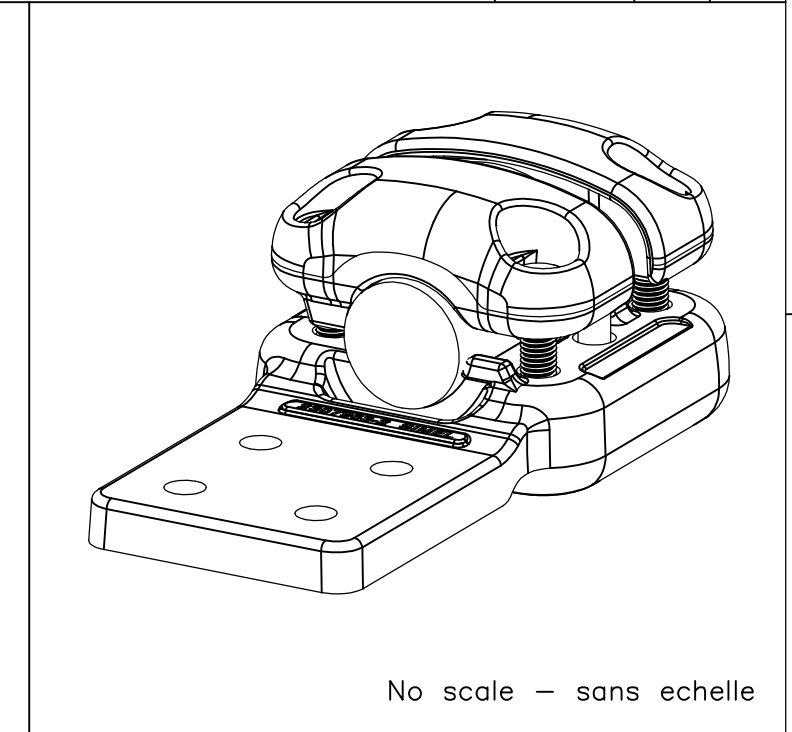
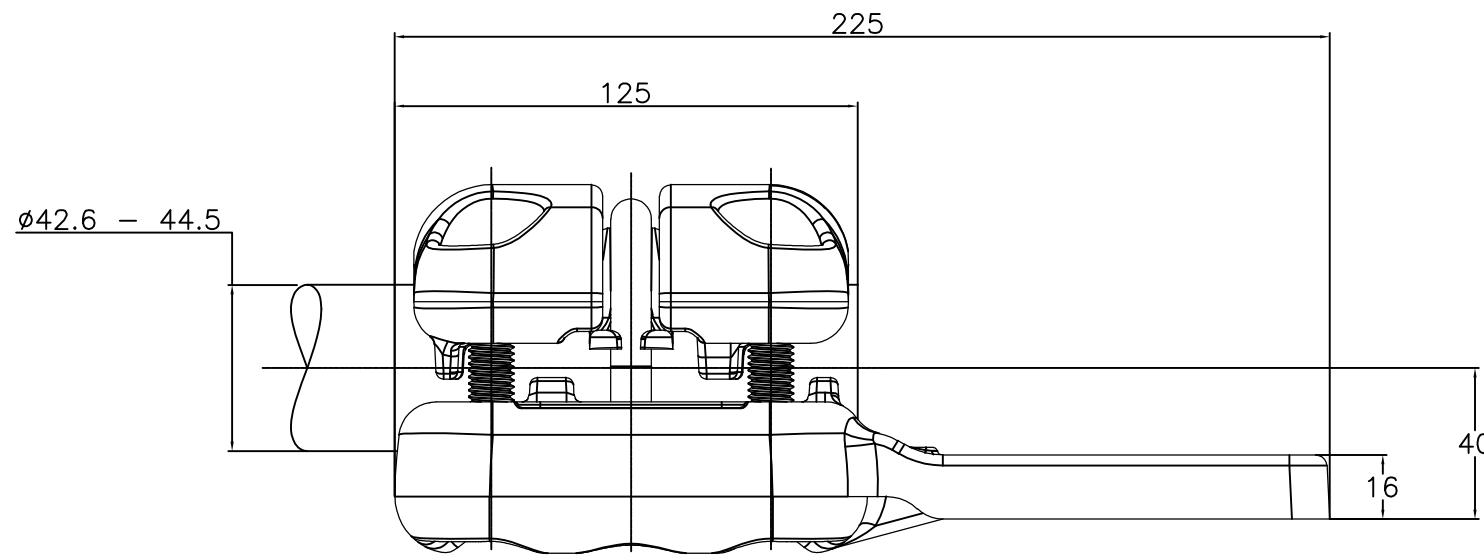
-. - .

© COPYRIGHT - By -

ALL RIGHTS RESERVED.

REVISIONS

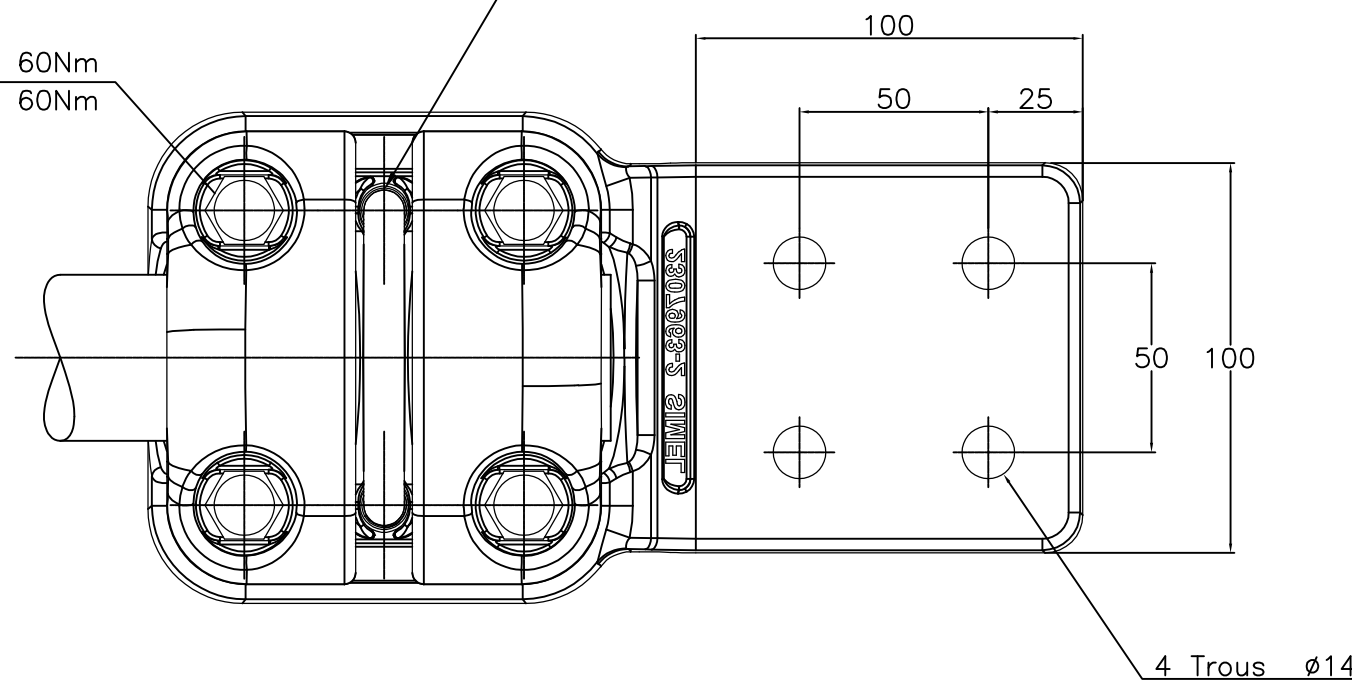
P	LTR	DESCRIPTION	DATE	DWN	APVD
	A	CREATION	20-Feb-17	TC	-



No scale - sans echelle

M12 Bolts stainless steel A2: 60Nm
 Boulons M12 acier inoxydable A2: 60Nm

M12 stainless steel U-Bolt A4: 60Nm
 Etrier M12 acier inoxydable A4: 60Nm



ITEM:.....

THIS DRAWING IS A CONTROLLED DOCUMENT.

DWN CHARTON 20-Feb-17

CHK -

APVD -

PRODUCT SPEC

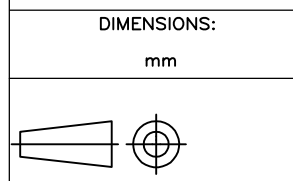
108-69096-001

APPLICATION SPEC

-

APPROX.WEIGHT 2.6 kg

CUSTOMER DRAWING



DIMENSIONS:	TOLERANCES UNLESS OTHERWISE SPECIFIED:
mm	
0 PLC	± -
1 PLC	± -
2 PLC	± -
3 PLC	± -
4 PLC	± -
ANGLES	± -
FINISH	-



NAME
 Pad connector for single conductor
 Connecteur à plage pour faisceau simple
 5 PD 82 LR445 100 C34

SIZE A3 CAGE CODE - DRAWING NO C-2315754 RESTRICTED TO -

SCALE 1/2 SHEET 1 OF 1 REV A