

THIS DRAWING IS UNPUBLISHED.

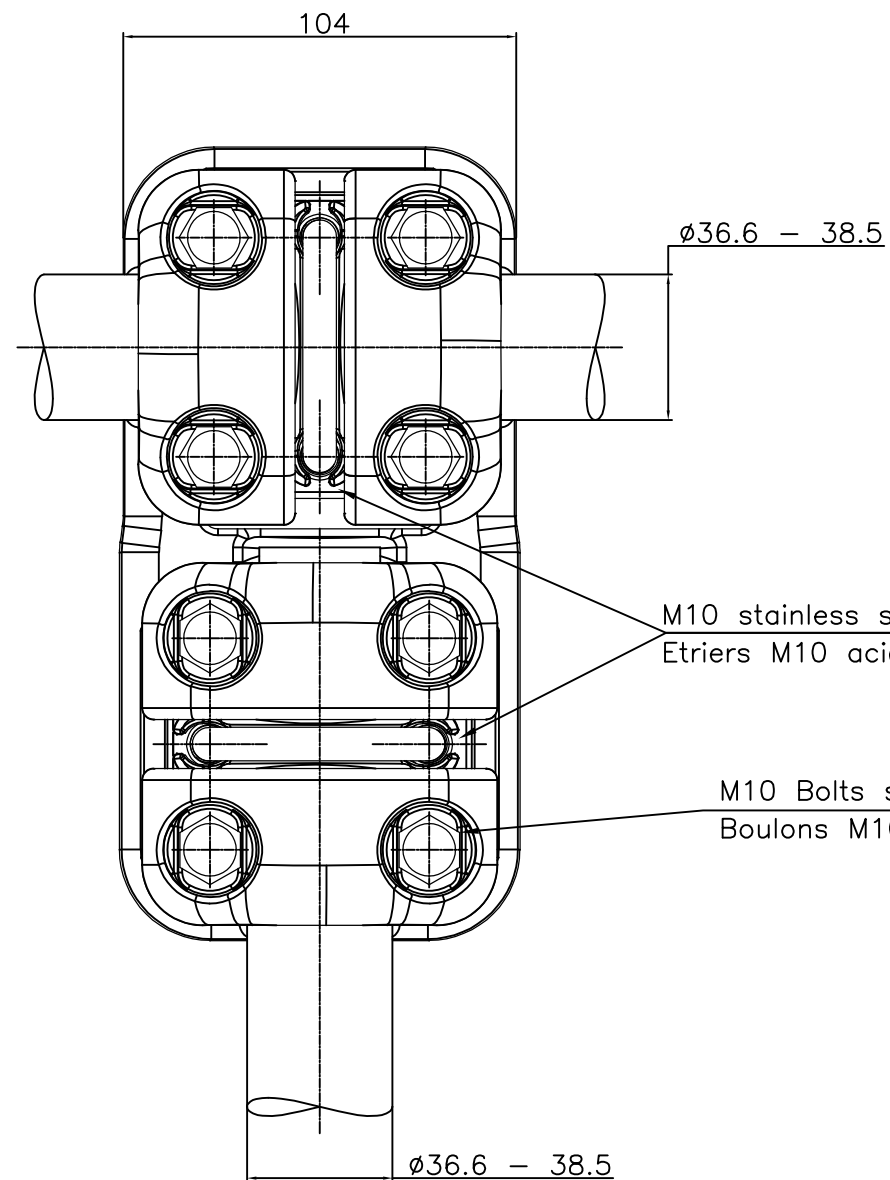
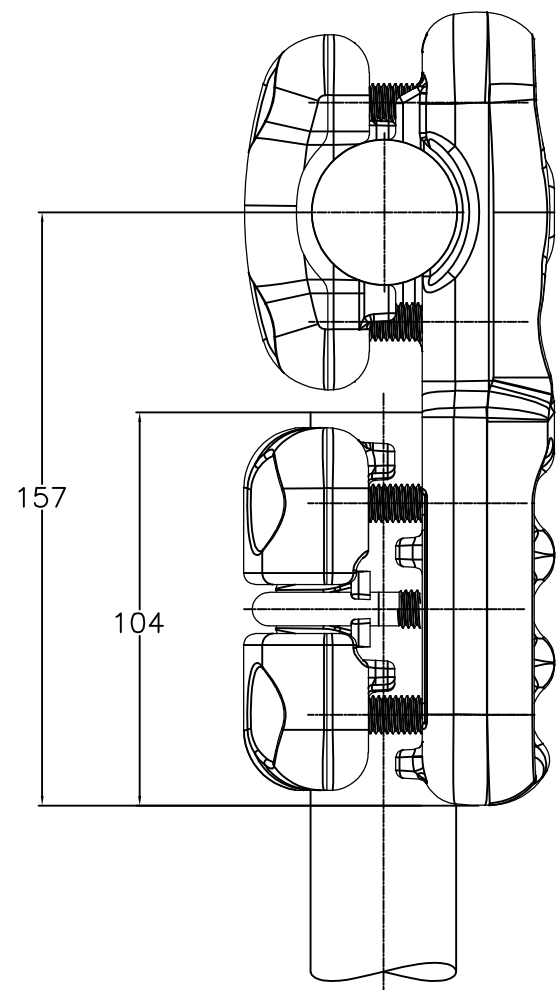
RELEASED FOR PUBLICATION

ALL RIGHTS RESERVED.

© COPYRIGHT - By -

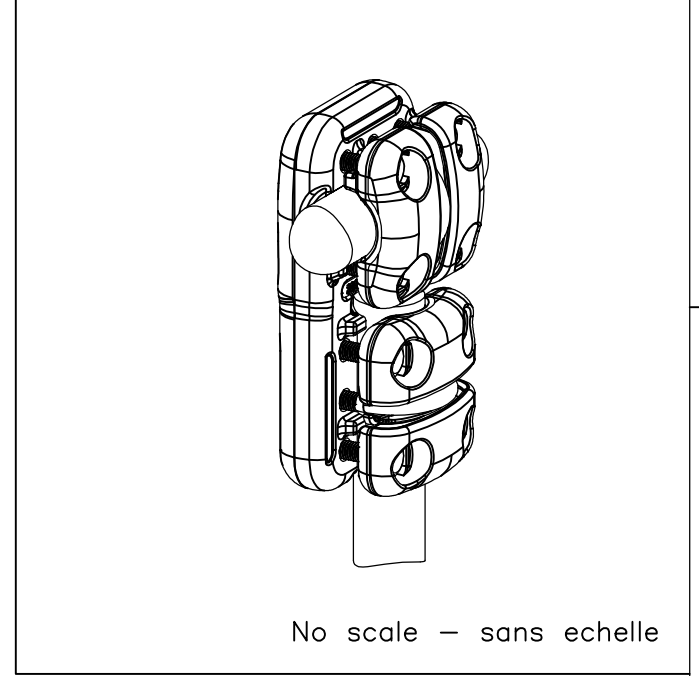
REVISIONS

P	LTR	DESCRIPTION	DATE	DWN	APVD
	A	CREATION	21-Feb-17	TC	-



M10 stainless steel U-Bolts A4: 37Nm
Etriers M10 acier inoxydable A4: 37Nm

M10 Bolts stainless steel A4: 37Nm
Boulons M10 acier inoxydable A4: 37Nm



ITEM:.....

THIS DRAWING IS A CONTROLLED DOCUMENT.		DWN CHARTON	21-Feb-17	STE TE Connectivity	
DIMENSIONS: mm		CHK	-		
TOLERANCES UNLESS OTHERWISE SPECIFIED:		APVD	-	NAME Tee connector Connecteur en T	
0 PLC ± -		PRODUCT SPEC	-	108-69096-001	
1 PLC ± -		APPLICATION SPEC	-	5 CT 84 MR385	
2 PLC ± -		SIZE	A3	CAGE CODE	00779
3 PLC ± -		DRAWING NO	C=2315750		RESTRICTED TO
4 PLC ± -		APPROX.WEIGHT	2.2 kg	SCALE	1/2
ANGLES ± -		CUSTOMER DRAWING	SHEET		1 OF 1
FINISH				REV	A