

THIS DRAWING IS UNPUBLISHED.

RELEASED FOR PUBLICATION

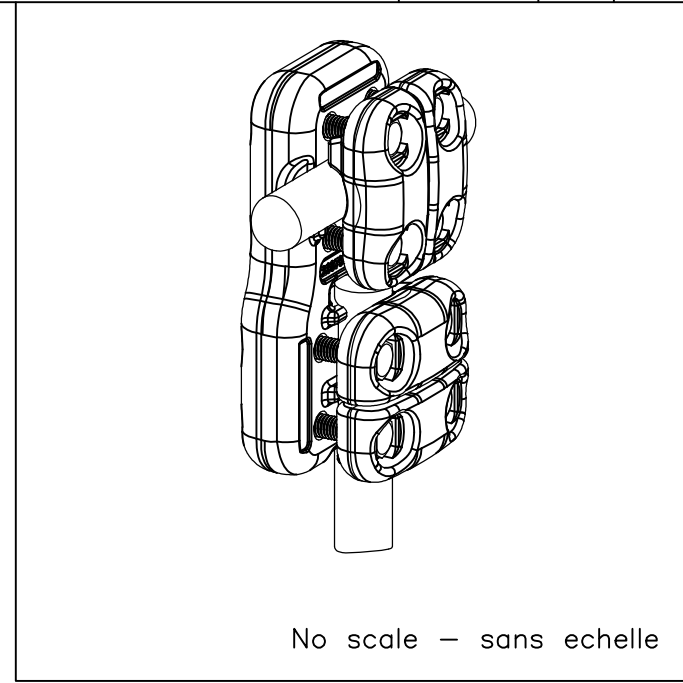
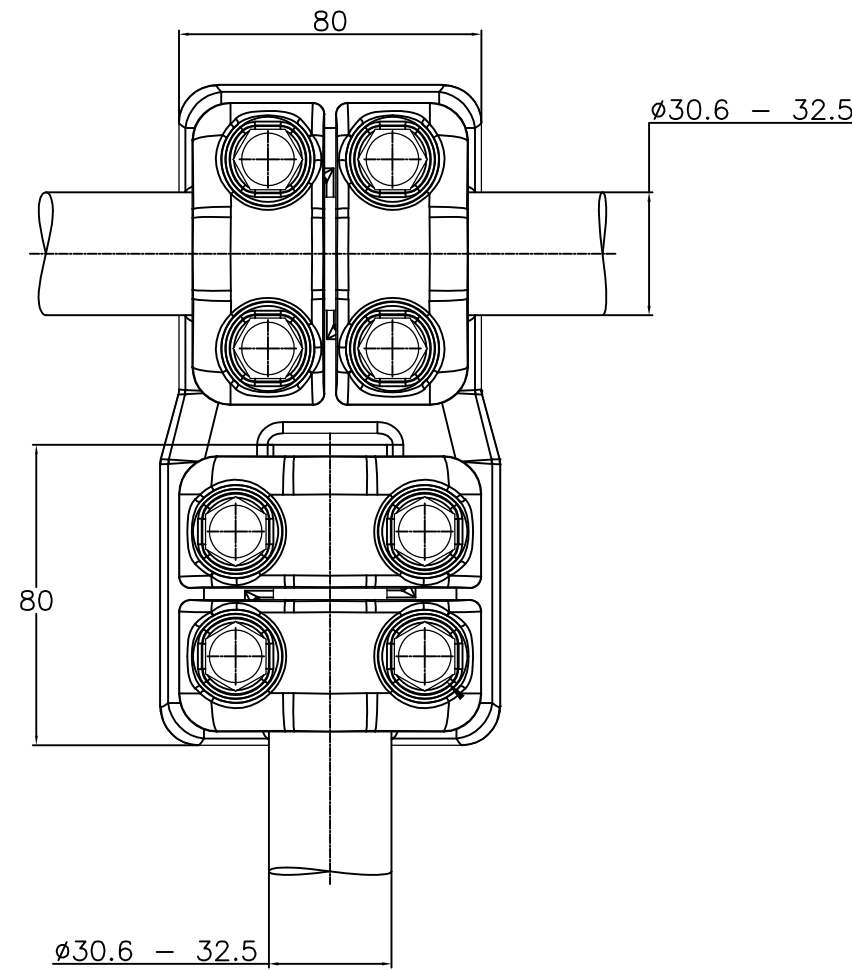
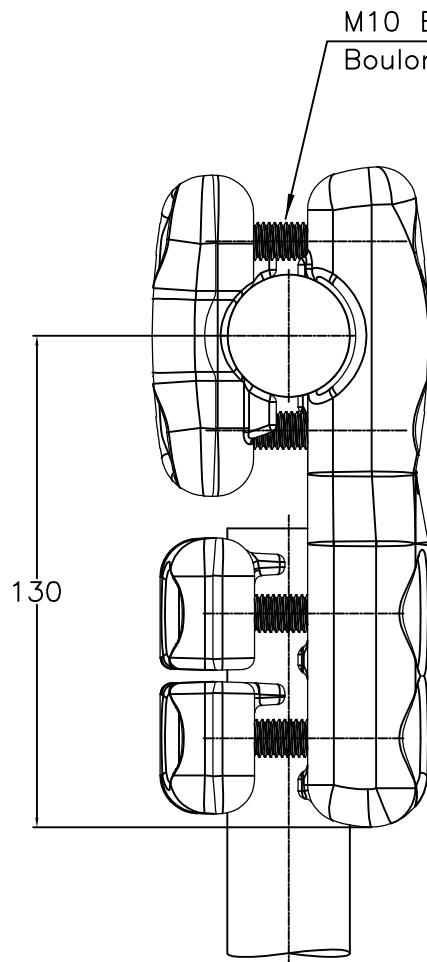
- . - .

© COPYRIGHT - By -

ALL RIGHTS RESERVED.

REVISIONS

P	LTR	DESCRIPTION	DATE	DWN	APVD
	A	CREATION	21-Feb-17	TC	-



No scale - sans echelle

ITEM:.....

THIS DRAWING IS A CONTROLLED DOCUMENT.		DWN CHARTON	21-Feb-17	STE TE Connectivity	
DIMENSIONS: mm		CHK	-		
TOLERANCES UNLESS OTHERWISE SPECIFIED:		APVD	-	NAME TEE connector Connecteur en T 5 CT 84 S325	
		PRODUCT SPEC	108-69096-001	RESTRICTED TO	
		APPLICATION SPEC	-	-	
MATERIAL		APPROX.WEIGHT	1.5 kg	SIZE	A3
FINISH		CUSTOMER DRAWING		CAGE CODE	00779
		SCALE		DRAWING NO	C=2315748
		SHEET		1 OF 1	REV
		1/2		A	