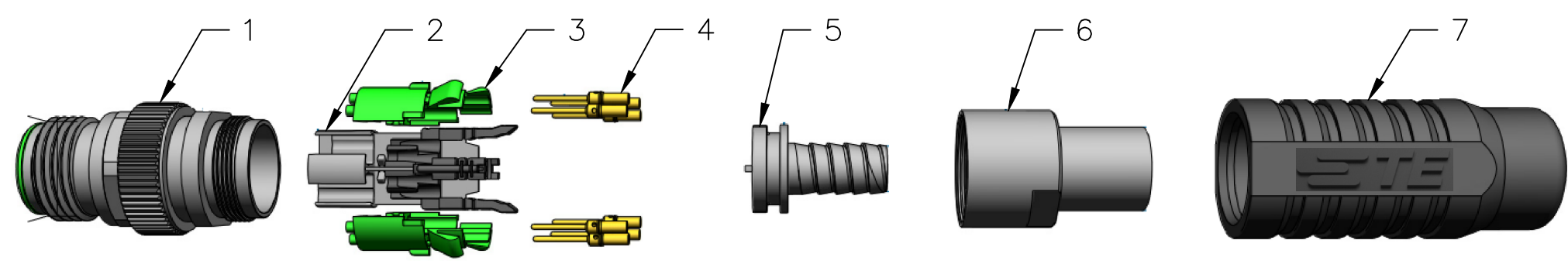
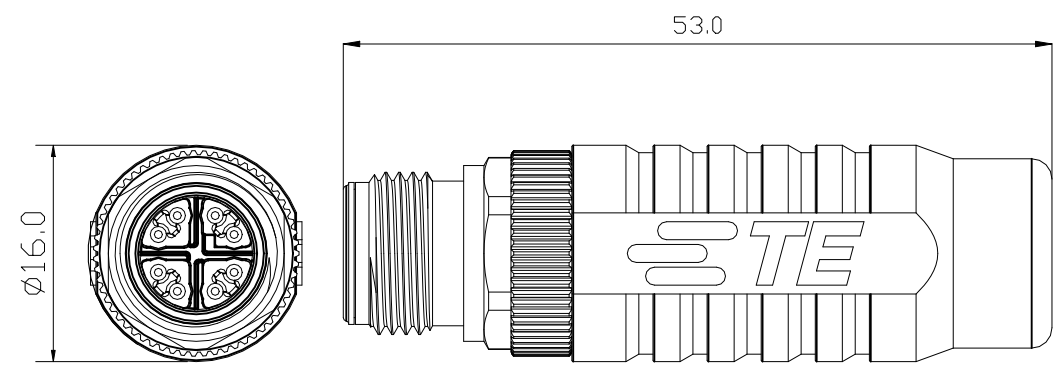


PROJECT	PRJ-14-00004825
PART NO.	X-2315714-X
DESCRIPTION	M12 X-CODED M-8 CRIMP CABLE MALE CONNECTOR
CUSTOMER	GENERAL MARKET

REVISIONS				
P	LTR	DESCRIPTION	DATE	APVD
A4		CRIMP TOOL INFORMATION UPDATED	12JAN2021	GK SE

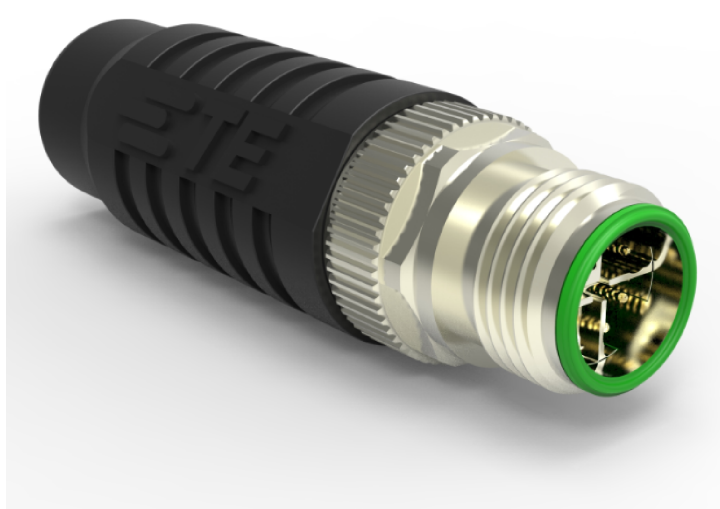


EXPLODED VIEW

Cable Preparation		Recommended Contact Crimping Tools			Recommended Jacket Crimping Tool	Crimp Flange Insertion	

TE PN	Description	Coding	Number of positions	Gender	Number of contacts included	Connector type	Applicable on cable	Manufacturer PN	Category	Color	Conductor size	Conductor stripping	Jacket cutting	Hand tool	Contact positioner	Crimp Selection number*	Crimp Tool	Tool Setting	Handle	Insert for handle	Connector assembly tool
1-2315714-1	M12 X-CODE M-8 CON RADOX 8.1MM, H&S	X	8	Male	8	Straight	Radox 8.2mm	H&S 84124806	Cat 7	Black	8 x AWG24	734185-1	2119000-1	601966-1	2-2823582-0	5	2380757-2	BLUE	1-2823560-1	1-2823561-1	1-2823564-1
1-2315714-2	M12 X-CODE M-8 CON 8.4MM, TE					Straight	TE Cat 7 cable TECC0011C7	TE 2297799-1	Cat 7	Blue	8 x AWG24							YELLOW			
1-2315714-3	M12 X-CODE M-8 CON 8.8MM, LEONI					Straight	Leoni	Leoni 307704	Cat 7	Black	8 x AWG24							BLUE			

\*TOOL SETTING MUST BE VALIDATED ON CABLE USED



ISO VIEW  
M12 X-8 MALE CONNECTOR

NOTES:

- ALL DIMENSIONS ARE FOR NOMINAL REFERENCE ONLY.
- PACKAGING: 1 PIECE IN A BOX, CONTACTS INCLUDED.
- THE CONNECTOR IS AS PER IEC 61076-2-109.
- TEMPERATURE RANGE: WITH CABLE BOOT -40°C TO +70°C.  
WITHOUT CABLE BOOT -40°C TO +85°C.
- VIBRATION & SHOCK TEST CONDUCTED AS PER IEC 61373:61373 CAT 1 CLASS B & CAT 2.
- FIRE PERFORMANCE CONDUCTED AS PER EN45545-2 HL3 R22/R23, NFF16-101 AND NFF16-102.
- SPECIAL CRIMP FLANGE SYSTEM WITH CRIMP INSERT AND CRIMP SLEEVE SECURES THE EFFECTIVE SHIELDING OVER THE LIFETIME WITH EXTREMELY HARD CONDITIONS.
- VIBRATION AND TORSION-PROOF CABLE STRAIN RELIEF FOR ROUGH ENVIRONMENT ACHIEVED BY HEXAGONAL CRIMP OF THE CRIMP SLEEVE OF THE CRIMP FLANGE SYSTEM.
- DEGREE OF PROTECTION: IP 67 (ONLY SCREW-LOCKED).
- DATA TRANSMISSION RATE: UP TO 10Gbit/SEC ACC. TO IEC 802.3an CATEGORY 6A.
- CURRENT RATING: 0.5A, NOMINAL VOLTAGE: 48V, CONTACT RESISTANCE: ≤ 5 mΩ, INSULATION RESISTANCE: ≥ 100 mΩ.
- DURABILITY: ≥ 250 MATING CYCLES

SL. NO.	DESCRIPTION	MATERIAL	QTY	UNITS
7	GRIP BOOT	TPE WITH S3 & SR2 (DIN 5510-2)	1	PC
6	BACK NUT & SLEEVE	Cu ALLOY Ni-PLATED	1	PC
5	CRIMP INSERT	Cu ALLOY Ni-PLATED	1	PC
4	CRIMP CONTACTS MACHINED	Cu ALLOY Ni-Au PLATED	8	PC
3	CONTACT HOLDER (REAR)	THERMOPLAST	4	PC
2	CONTACT HOLDER (FRONT)	THERMOPLAST	1	PC
1	FRONT HOUSING	Cu ALLOY Ni-PLATED	1	PC

THIS DRAWING IS A CONTROLLED DOCUMENT.		DWN GOPALAKRISHNA HV 16APR2019	TE Connectivity	
DIMENSIONS: mm		CHK S EGBERT 16APR2019	M12 X-CODED M-8 CRIMP CABLE MALE CONNECTOR	
TOLERANCES UNLESS OTHERWISE SPECIFIED: DIN ISO 2768 m		APVD S EGBERT 16APR2019	NAME	
0 PLC ± - 1 PLC ± - 2 PLC ± - 3 PLC ± - 4 PLC ± - ANGLES ± -		PRODUCT SPEC	SIZE A2	
MATERIAL		APPLICATION SPEC	CAGE CODE 00779	DRAWING NO C=2315714
FINISH		WEIGHT	RESTRICTED TO	SCALE NTS
		CUSTOMER DRAWING	SHEET 1 OF 1	REV A4