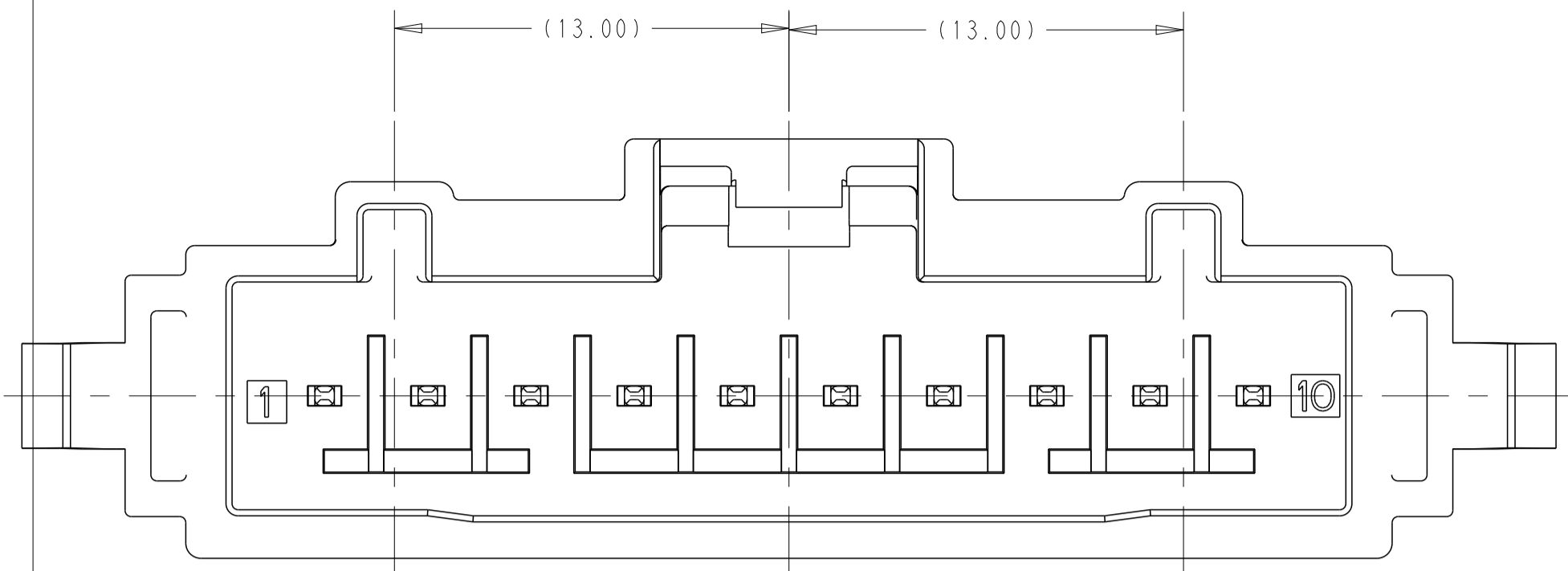
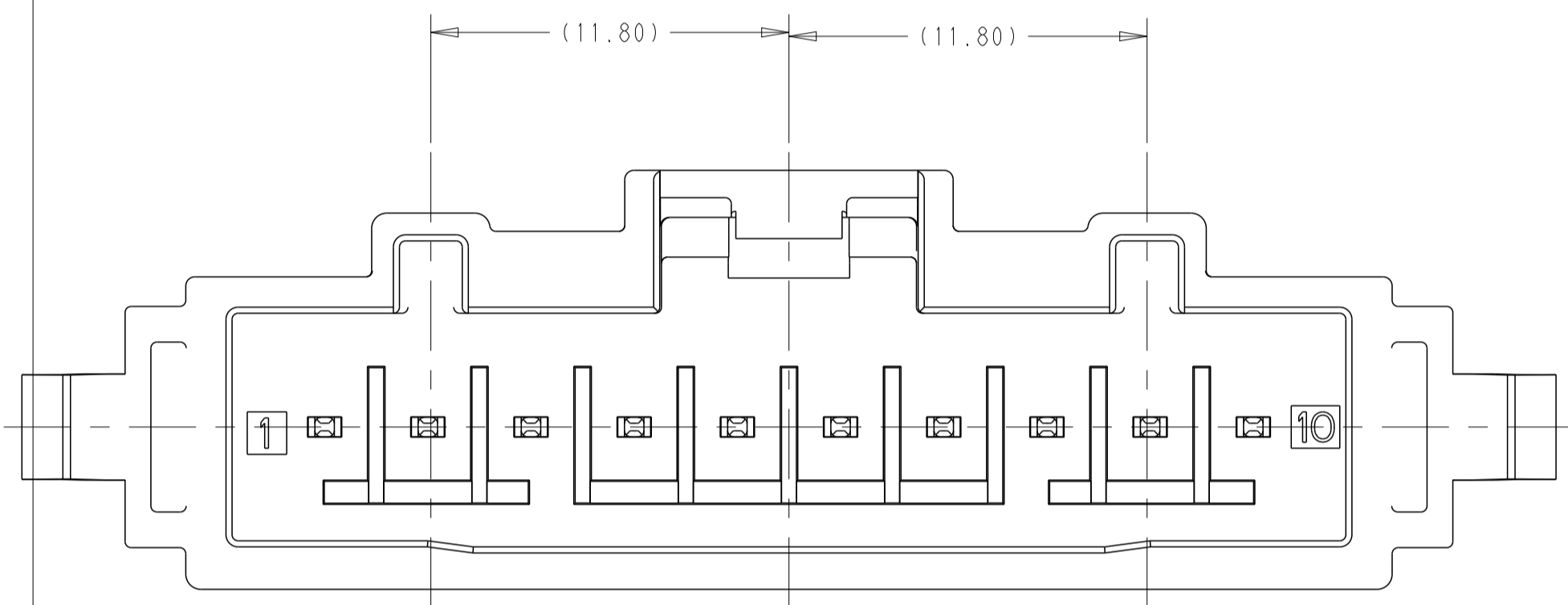


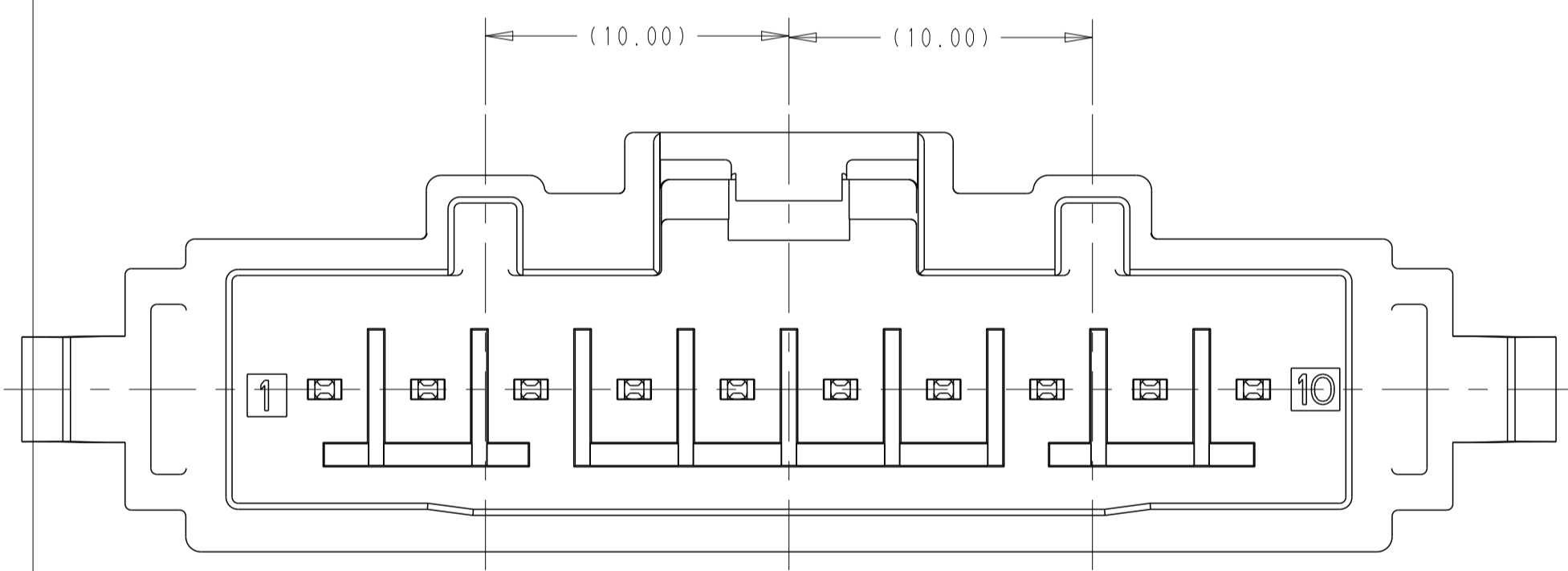
KEY CODE A



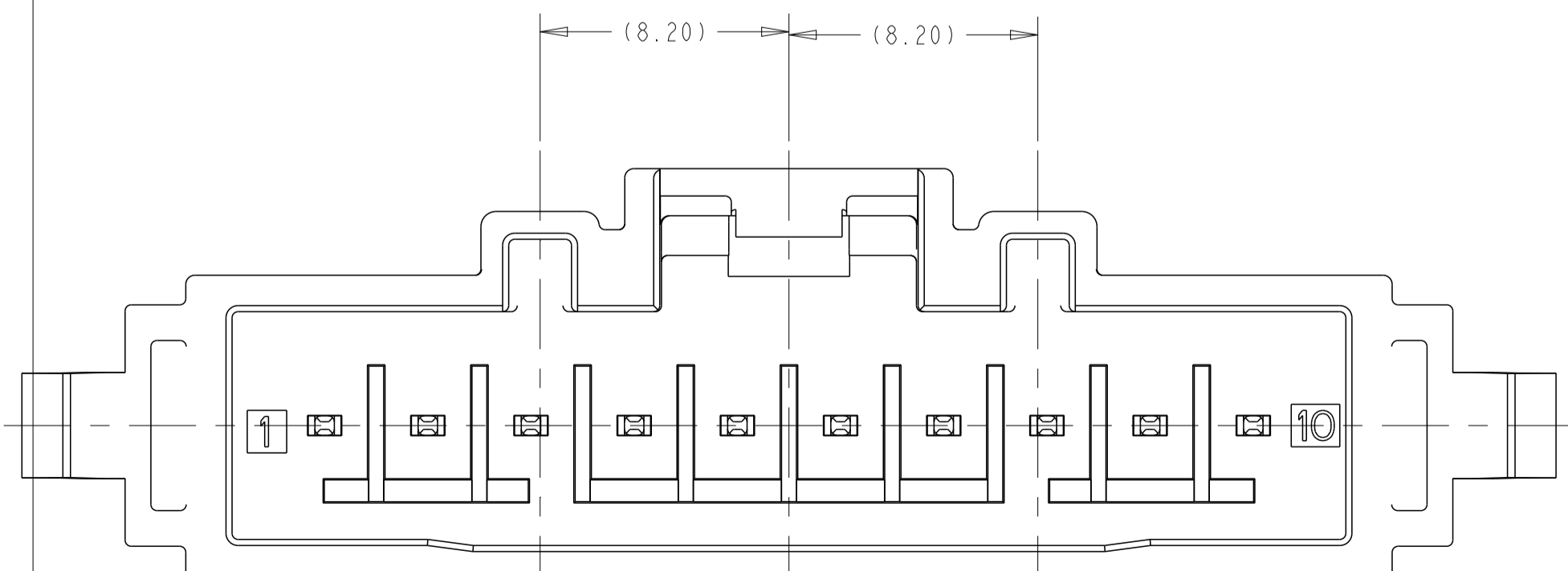
KEY CODE B



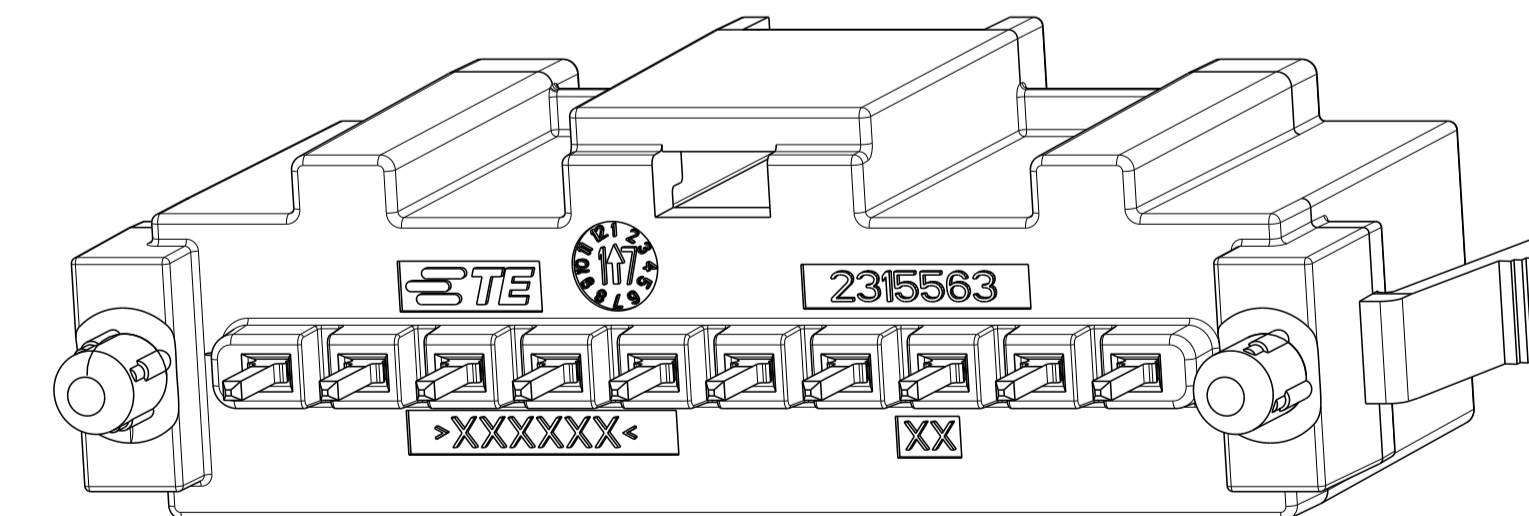
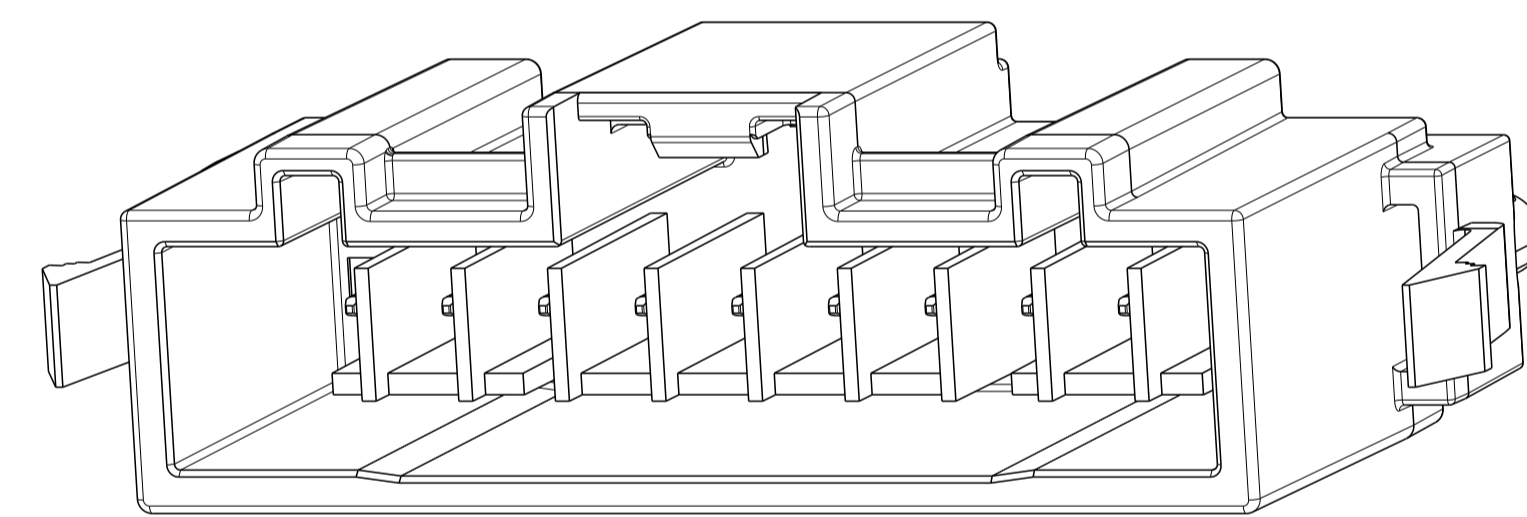
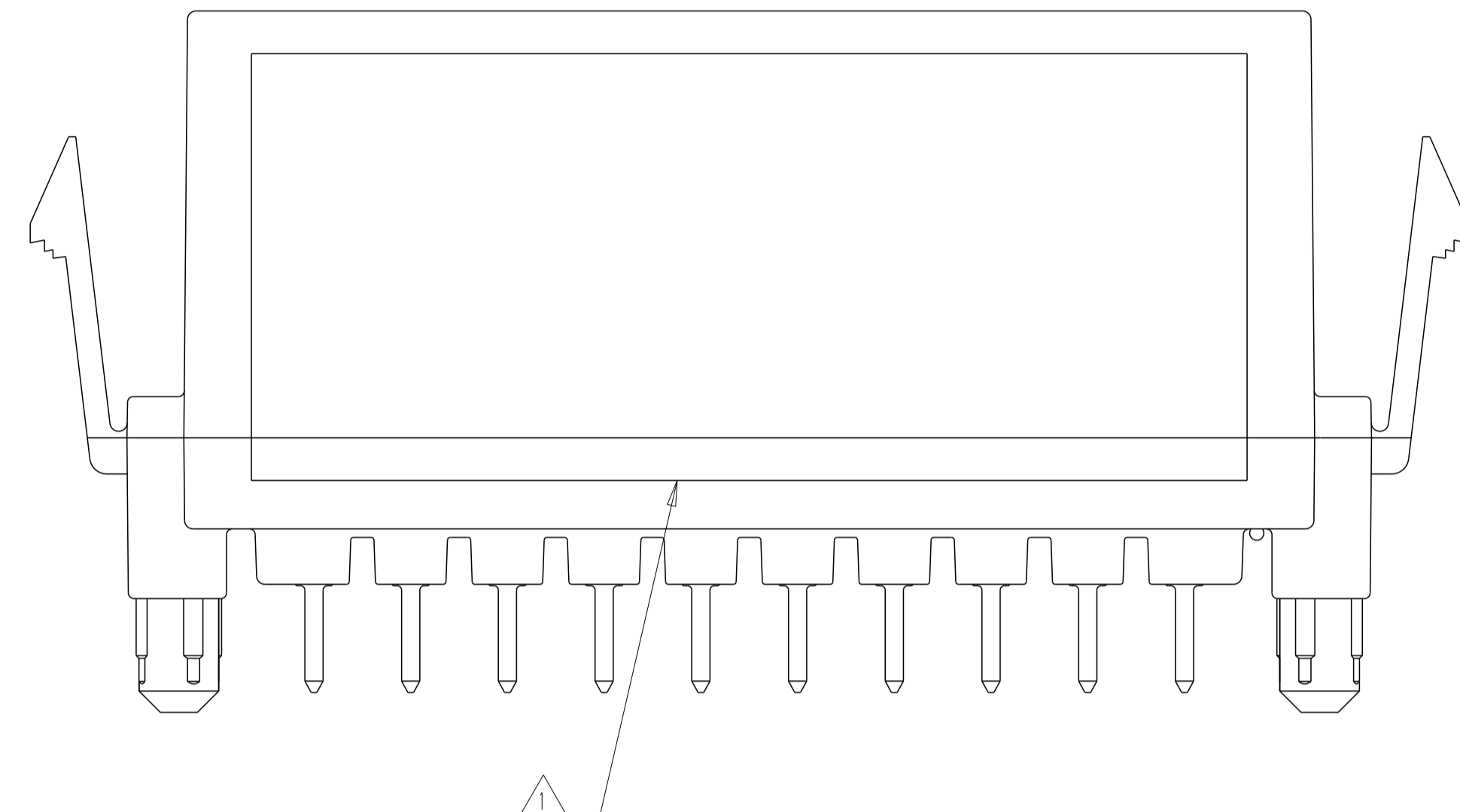
KEY CODE C



KEY CODE D



REVISIONS				
P	LTN	DESCRIPTION	DATE	APVD
-		SEE SHEET 1	-	-



THIS DRAWING IS A CONTROLLED DOCUMENT.		DWN TISHA MINGO-ODUBOTE 01MAY2017 CHX RIDDHI KHINVASARA 01MAY2017 APVD GALEN MARLIN 01MAY2017	TE Connectivity	
DIMENSIONS: mm 		TOLERANCES UNLESS OTHERWISE SPECIFIED: 0 PLC ±.5 1 PLC ±.25 2 PLC ±.15 3 PLC ±0.015 4 PLC ±0.0001 ANGLES ±.1	NAME 10POS, TAB0.64X0.64,HDR ASSY, 180DEG,SLDR PRODUCT SPEC - APPLICATION SPEC -	SIZE CAGE CODE DRAWING NO RESTRICTED TO A I C=2315562 -
MATERIAL SEE TABLE		WEIGHT 6.01g	SCALE 5:1 SHEET 2 OF 2 REV A.4 CUSTOMER DRAWING	