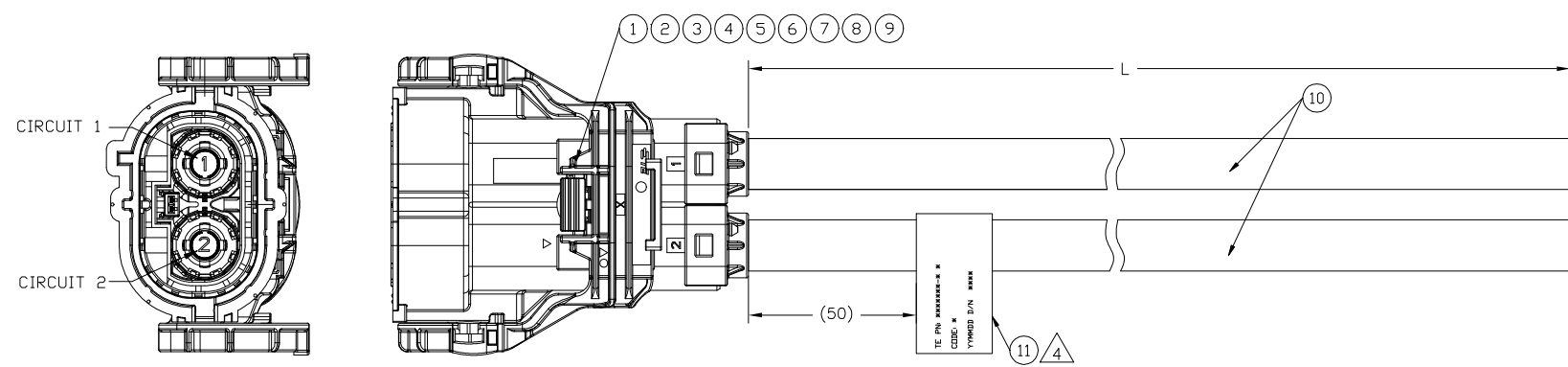


THIS DRAWING IS UNPUBLISHED. RELEASED FOR PUBLICATION. ALL RIGHTS RESERVED.

REVISIONS					
#	LTR	DESCRIPTION	DATE	DMN	APD
A		INITIAL RELEASE	21MAR19	F.L	P.W



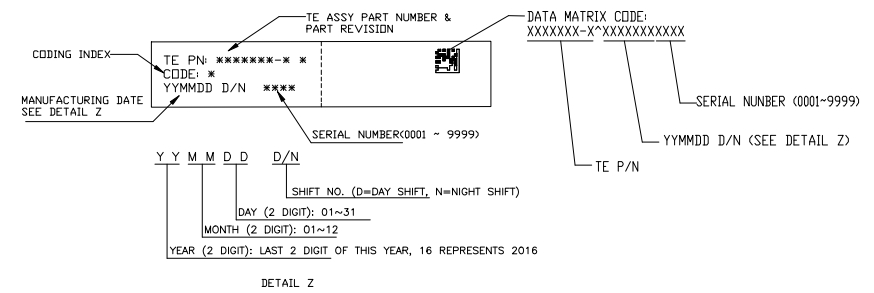
PIN OUT AND WIRE COLOR		
CIRCUIT	JUNCTION 1	WIRE COLOR
1	PIN 1	ORANGE
2	PIN 2	ORANGE

NOTES

- 1 GENERAL ELECTRIC TEST:
 - 1.1 DIELECTRIC WITHSTAND: NO FLASHOVER WHEN SUBJECTED TO 2700VAC FOR 5 SECONDS, LEAKAGE CURRENT LESS THAN 15mA BETWEEN: HV CIRCUIT 1 TO HV CIRCUIT 2; HV CIRCUIT 1 AND 2 TO SHIELD
 - 1.2 INSULATION RESISTANCE: GREATER THAN 200MΩ AT 1000VDC ACROSS THE FOLLOWING LOCATIONS: HV CIRCUIT 1 TO HV CIRCUIT 2; HV CIRCUIT 1 AND 2 TO SHIELD.
 - 1.3 CONTINUITY TO BE 100% VERIFIED THROUGH ALL CIRCUIT AFTER ASSEMBL
- 2 APPLICATION INFORMATION:
 - RATING VOLTAGE: 850VDC
 - OPERATING TEMPERATURE: -40°C~+140°C
 - IP DEGREE: MATED STATE: IP6K9K, IP67; UNMATED STATE: IP2XB.
- 3 CABLE OUTLET MUST GO MIN. 10MM PARALLEL TO PROTECTION CAP. FIRST FIXATION POINT MAX. 80MM FROM PROTECTION COVER. AVOID TENSILE OR PRESSURE FORCE FROM THE CABLE. MIN. BENDING RADIUS 5 x D ACC. TO SPEC OF CABLE SUPPLIER.
- 4 LABEL CONTENT INCLUDES TE PART NUMBER, PART NUMBER REVISION, CODING INDEX AND MANUFACTURING DATE. LABEL TO BE APPLIED TO THE CABLE AFTER SUCCESSFUL ELECTRICAL TEST.

TE PART NUMBER	L	REMARK	TE PART NUMBER	L	REMARK
2315474-1	250±10	CHOOSE PRIORITY: 1ST HSG CODE A (PN: 2310923-1) WIRE SIZE: 25MM²	1-2315474-1	250±10	CHOOSE PRIORITY: 2ND HSG CODE B (PN: 2310923-3) WIRE SIZE: 25MM²
2315474-2	500±10		1-2315474-2	500±10	
2315474-3	1000±15		1-2315474-3	1000±15	
2315474-4	2000±25		1-2315474-4	2000±25	
2315474-5	3000±35		1-2315474-5	3000±35	
2315474-6	4000±45		1-2315474-6	4000±45	
2315474-7	5000±55		1-2315474-7	5000±55	
2315474-8	7500±80		1-2315474-8	7500±80	
2315474-9	10000±100		1-2315474-9	10000±100	

1	PC	-	LABEL	11
A/R	MM	-	HV CABLE 25 mm ²	10
2	PC	-	PROTEC. COVER 8MM HV,90°	9
2	PC	-	SINGLE WIRE SEAL,8MM HV,90°	8
2	PC	-	SHIELD, CRIMP SLEEVE	7
2	PC	-	SHIELD CRIMP FERRULE, INNER	6
2	PC	-	INSULATION INSERT 180°	5
2	PC	-	FINGER PROT CAP 8MM HV,180°, 25mm ²	4
2	PC	-	SHIELDING SLEEVE 180° 25mm ²	3
2	PC	-	TURNED CONTACT 180°, 25mm ²	2
1	PC	2310923-3	2POS, 8MM HV, REC HSG 180°DEG, ASSY, SEALED, CODE B	1
1	PC	2310923-1	2POS, 8MM HV, REC HSG 180°DEG, ASSY, SEALED, CODE A	
PN SEE TABLE QTY	U/M	TE P/N	DESCRIPTION	ITEM



THIS DRAWING IS A CONTROLLED DOCUMENT.

DMN	F.L.F.F	21MAR19
CHK	P.W	21MAR19
APD	P.W	21MAR19

STE TE Connectivity

HVP800 2PHI PLUG 180D 25SQMM CABLE PIGTAIL

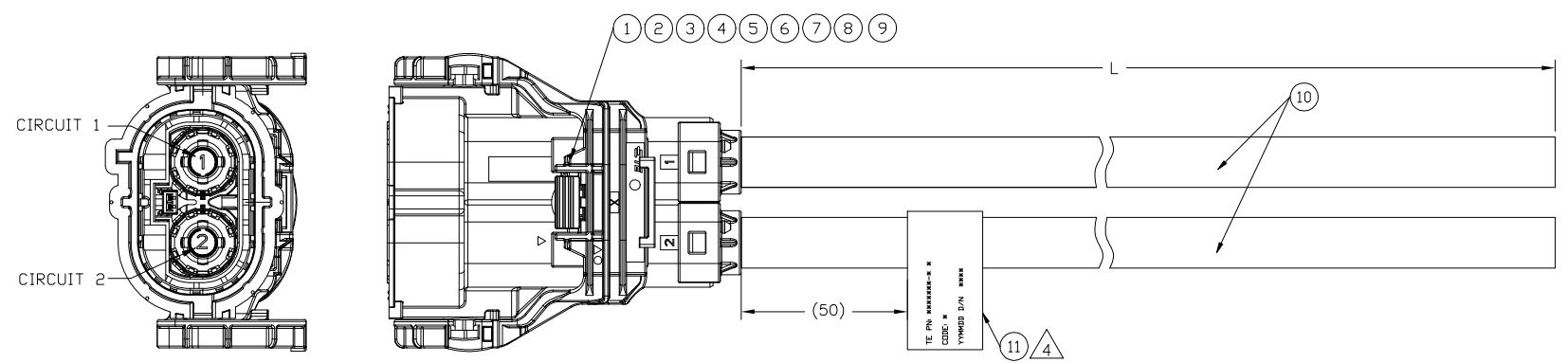
SIZE: A1 CAGE CODE: 00779 DRAWING NO: 2315474

RESTRICTED TO: CUSTOMER DRAWING

SCALE: SHEET 1 OF 12 REV A

THIS DRAWING IS UNPUBLISHED. RELEASED FOR PUBLICATION. ALL RIGHTS RESERVED.

REVISIONS				
#	LT#	DESCRIPTION	DATE	APD
-	-	SEE SHEET 1	-	-



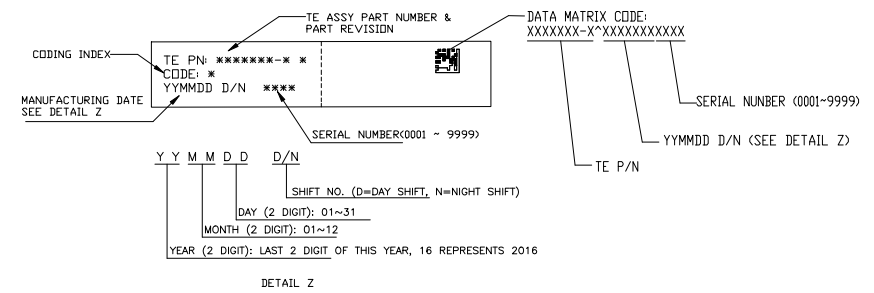
PIN OUT AND WIRE COLOR		
CIRCUIT	JUNCTION 1	WIRE COLOR
1	PIN 1	ORANGE
2	PIN 2	ORANGE

TE PART NUMBER	L	REMARK	TE PART NUMBER	L	REMARK
2-2315474-1	250±10	CHOOSE PRIORITY: 1ST HSG CODE A (PN: 2310923-1) WIRE SIZE: 35MM²	3-2315474-1	250±10	CHOOSE PRIORITY: 2ND HSG CODE B (PN: 2310923-3) WIRE SIZE: 35MM²
2-2315474-2	500±10		3-2315474-2	500±10	
2-2315474-3	1000±15		3-2315474-3	1000±15	
2-2315474-4	2000±25		3-2315474-4	2000±25	
2-2315474-5	3000±35		3-2315474-5	3000±35	
2-2315474-6	4000±45		3-2315474-6	4000±45	
2-2315474-7	5000±55		3-2315474-7	5000±55	
2-2315474-8	7500±80		3-2315474-8	7500±80	
2-2315474-9	10000±100		3-2315474-9	10000±100	

1	PC	-	TABLE	11	
A/R	MM	-	HV CABLE 35 mm ²	10	
2	PC	-	PROTEC. COVER 8MM HV,90°	9	
2	PC	-	SINGLE WIRE SEAL,8MM HV,90°	8	
2	PC	-	SHIELD, CRIMP SLEEVE	7	
2	PC	-	SHIELD CRIMP FERRULE, INNER	6	
2	PC	-	INSULATION INSERT 180°	5	
2	PC	-	FINGER PROT CAP 8MM HV,180°, 35mm ²	4	
2	PC	-	SHIELDING SLEEVE 180° 35mm ²	3	
2	PC	-	TURNED CONTACT 180°, 35mm ²	2	
1	PC	2310923-3	2POS, 8MM HV, REC HSG 180°DEG, ASSY, SEALED, CODE B	1	
1	PC	2310923-1	2POS, 8MM HV, REC HSG 180°DEG, ASSY, SEALED, CODE A		
PN SEE TABLE	QTY	U/M	TE P/N	DESCRIPTION	ITEM

NOTES

- 1 GENERAL ELECTRIC TEST:
 - 1.1 DIELECTRIC WITHSTAND: NO FLASHOVER WHEN SUBJECTED TO 2700VAC FOR 5 SECONDS, LEAKAGE CURRENT LESS THAN 15mA BETWEEN: HV CIRCUIT 1 TO HV CIRCUIT 2 HV CIRCUIT 1 AND 2 TO SHIELD
 - 1.2 INSULATION RESISTANCE: GREATER THAN 200MΩ AT 1000VDC ACROSS THE FOLLOWING LOCATIONS: HV CIRCUIT 1 TO HV CIRCUIT 2 HV CIRCUIT 1 AND 2 TO SHIELD.
 - 1.3 CONTINUITY TO BE 100% VERIFIED THROUGH ALL CIRCUIT AFTER ASSEMBL
- 2 APPLICATION INFORMATION:
 - RATING VOLTAGE: 850VDC
 - OPERATING TEMPERATURE: -40°C~+140°C
 - IP DEGREE: MATED STATE: IP6K9K, IP67; UNMATED STATE: IP2XB.
- 3 CABLE OUTLET MUST GO MIN. 10MM PARALLEL TO PROTECTION CAP. FIRST FIXATION POINT MAX. 80MM FROM PROTECTION COVER. AVOID TENSILE OR PRESSURE FORCE FROM THE CABLE. MIN. BENDING RADIUS 5 x D ACC. TO SPEC OF CABLE SUPPLIER.
- 4 LABEL CONTENT INCLUDES TE PART NUMBER, PART NUMBER REVISION, CODING INDEX AND MANUFACTURING DATE LABEL TO BE APPLIED TO THE CABLE AFTER SUCCESSFUL ELECTRICAL TEST.

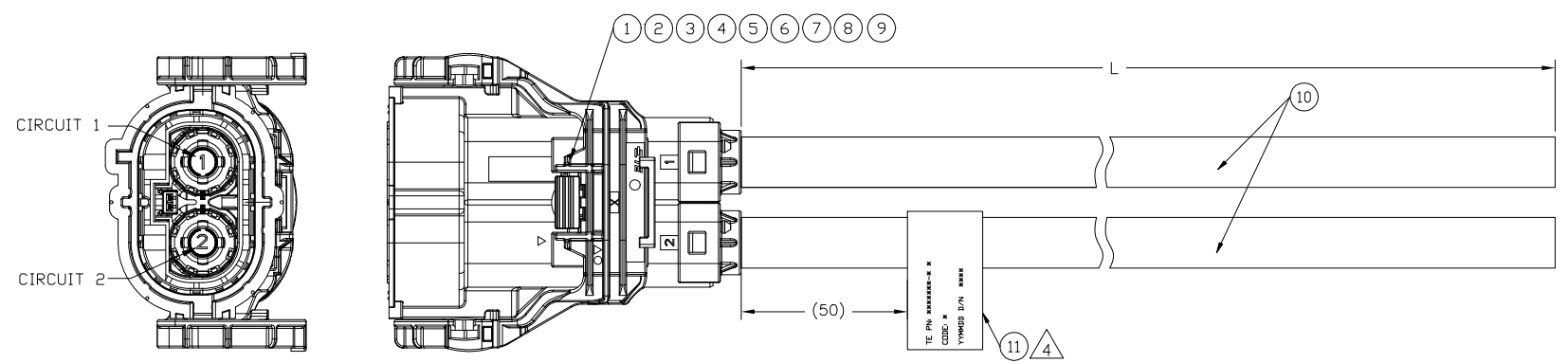


THIS DRAWING IS A CONTROLLED DOCUMENT.

DMN	180CT2016	TE Connectivity
E LEE	180CT2016	
CHK	180CT2016	HVP800 2PHI PLUG 180D 35SQMM CABLE PIGTAIL
T.G	180CT2016	
APD	180CT2016	NAME
P.W	180CT2016	PRODUCT SPEC
APPLICATION SPEC		SIZE
WEIGHT	0	CAGE CODE
CUSTOMER DRAWING	A1	DRAWING NO
	00779	RESTRICTED TO
	2315474	SCALE
		SHEET
	2	OF
	12	REV
	A	

THIS DRAWING IS UNPUBLISHED. RELEASED FOR PUBLICATION. ALL RIGHTS RESERVED.

REVISIONS				
#	LT#	DESCRIPTION	DATE	APP'D
-	-	SEE SHEET 1	-	-



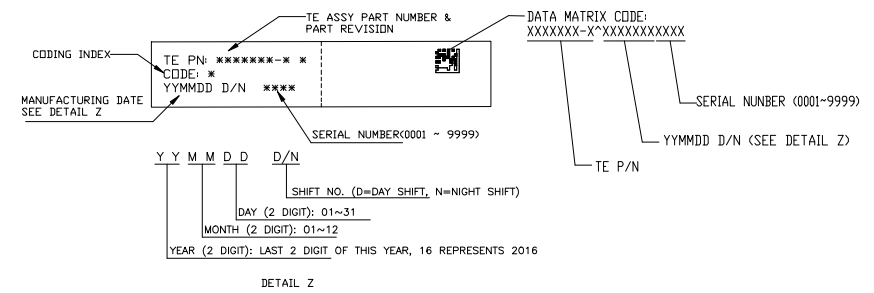
PIN OUT AND WIRE COLOR		
CIRCUIT	JUNCTION 1	WIRE COLOR
1	PIN 1	ORANGE
2	PIN 2	ORANGE

TE PART NUMBER	L	REMARK	TE PART NUMBER	L	REMARK
4-2315474-1	250±10	CHOOSE PRIORITY: 1ST HSG CODE A (PN: 2310923-1) WIRE SIZE: 50MM²	5-2315474-1	250±10	CHOOSE PRIORITY: 2ND HSG CODE B (PN: 2310923-3) WIRE SIZE: 50MM²
4-2315474-2	500±10		5-2315474-2	500±10	
4-2315474-3	1000±15		5-2315474-3	1000±15	
4-2315474-4	2000±25		5-2315474-4	2000±25	
4-2315474-5	3000±35		5-2315474-5	3000±35	
4-2315474-6	4000±45		5-2315474-6	4000±45	
4-2315474-7	5000±55		5-2315474-7	5000±55	
4-2315474-8	7500±80		5-2315474-8	7500±80	
4-2315474-9	10000±100		5-2315474-9	10000±100	

1	PC	-	LABE	11	
A/R	MM	-	HV CABLE 50 mm ²	10	
2	PC	-	PROTEC. COVER 8MM HV,90°	9	
2	PC	-	SINGLE WIRE SEAL,8MM HV,90°	8	
2	PC	-	SHIELD, CRIMP SLEEVE	7	
2	PC	-	SHIELD CRIMP FERRULE, INNER	6	
2	PC	-	INSULATION INSERT 180°	5	
2	PC	-	FINGER PROT CAP 8MM HV,180°, 50mm ²	4	
2	PC	-	SHIELDING SLEEVE 180° 50mm ²	3	
2	PC	-	TURNED CONTACT 180°, 50mm ²	2	
1	PC	2310923-3	2POS, 8MM HV, REC HSG 180°DEG, ASSY, SEALED, CODE B	1	
1	PC	2310923-1	2POS, 8MM HV, REC HSG 180°DEG, ASSY, SEALED, CODE A		
PN SEE TABLE	QTY	U/M	TE P/N	DESCRIPTION	ITEM

NOTES

- 1 GENERAL ELECTRIC TEST:
 - 1.1 DIELECTRIC WITHSTAND: NO FLASHOVER WHEN SUBJECTED TO 2700VAC FOR 5 SECONDS, LEAKAGE CURRENT LESS THAN 15mA BETWEEN: HV CIRCUIT 1 TO HV CIRCUIT 2 HV CIRCUIT 1 AND 2 TO SHIELD
 - 1.2 INSULATION RESISTANCE: GREATER THAN 200MΩ AT 1000VDC ACROSS THE FOLLOWING LOCATIONS: HV CIRCUIT 1 TO HV CIRCUIT 2 HV CIRCUIT 1 AND 2 TO SHIELD.
 - 1.3 CONTINUITY TO BE 100% VERIFIED THROUGH ALL CIRCUIT AFTER ASSEMBL
- 2 APPLICATION INFORMATION:
 - RATING VOLTAGE: 850VDC
 - OPERATING TEMPERATURE: -40°C~+140°C
 - IP DEGREE: MATED STATE: IP6K9K, IP67; UNMATED STATE: IP2XB.
- 3 CABLE OUTLET MUST GO MIN. 10MM PARALLEL TO PROTECTION CAP. FIRST FIXATION POINT MAX. 80MM FROM PROTECTION COVER. AVOID TENSILE OR PRESSURE FORCE FROM THE CABLE. MIN. BENDING RADIUS 5 x D ACC. TO SPEC OF CABLE SUPPLIER.
- 4 LABEL CONTENT INCLUDES TE PART NUMBER, PART NUMBER REVISION, CODING INDEX AND MANUFACTURING DATE LABEL TO BE APPLIED TO THE CABLE AFTER SUCCESSFUL ELECTRICAL TEST.



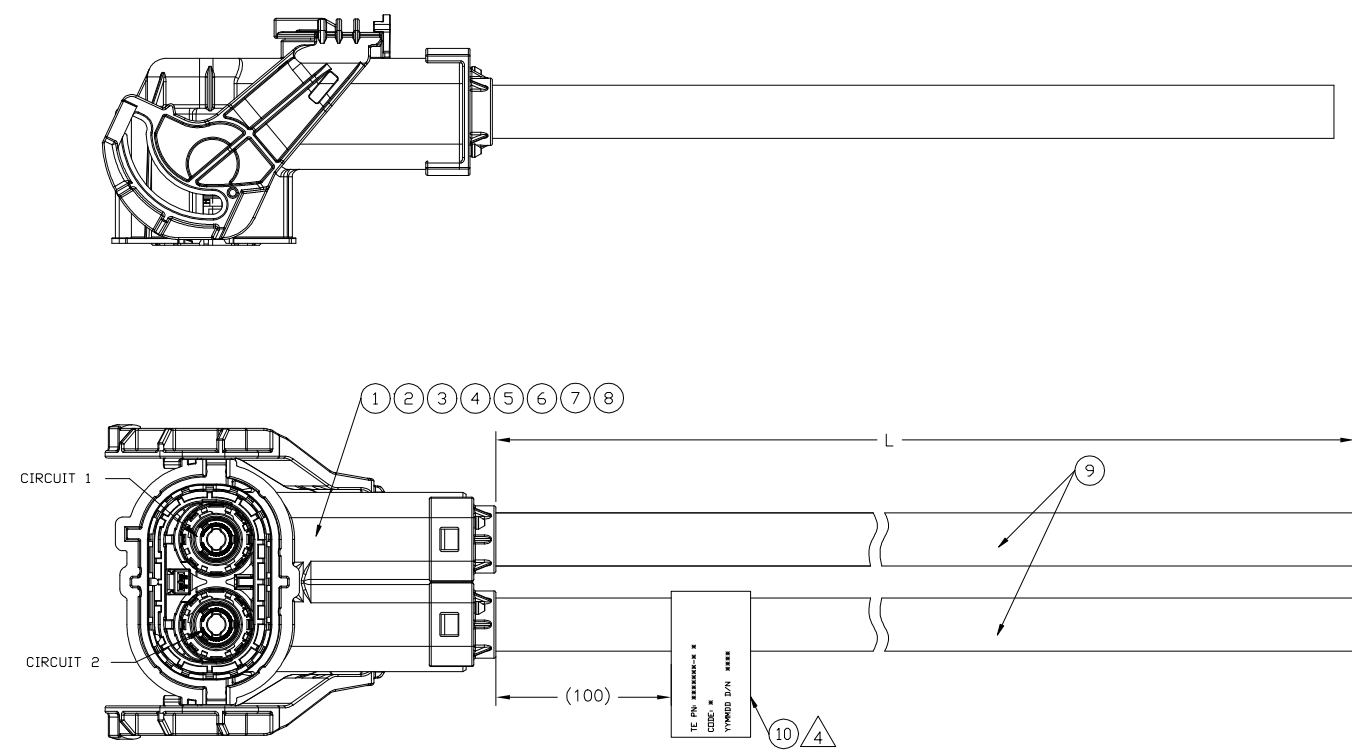
THIS DRAWING IS A CONTROLLED DOCUMENT.

DMN	180CT2016	TE Connectivity
E L F E E	180CT2016	
CHK	180CT2016	HVP800 2PHI PLUG 180D 50SQMM CABLE PIGTAIL
T L G	180CT2016	
APP'D	180CT2016	NAME: HVP800 2PHI PLUG 180D 50SQMM CABLE PIGTAIL
P W	180CT2016	
PRODUCT SPEC		SIZE: A1 CAGE CODE: 00779 DRAWING NO: C=2315474
APPLICATION SPEC		
MATERIAL		WEIGHT: 0 SCALE: SHEET 3 OF 12 REV A
FINISH		

CUSTOMER DRAWING

THIS DRAWING IS UNPUBLISHED. RELEASED FOR PUBLICATION. ALL RIGHTS RESERVED.

REVISIONS				
#	LTR	DESCRIPTION	DATE	DMN
-	-	SEE SHEET 1	-	-



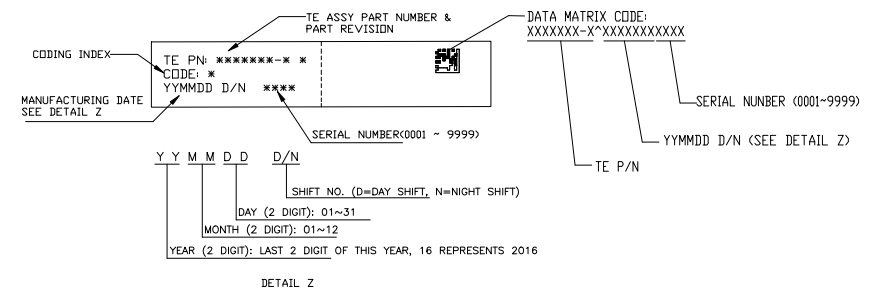
PIN OUT AND WIRE COLOR		
CIRCUIT	JUNCTION 1	WIRE COLOR
1	PIN 1	ORANGE
2	PIN 2	ORANGE

TE PART NUMBER	L	REMARK	TE PART NUMBER	L	REMARK
2336081-1	250±10	CHOOSE PRIORITY: 1ST HSG CODE A (PN: 1-2310922-1) WIRE SIZE: 25MM ²	1-2336081-1	250±10	CHOOSE PRIORITY: 2ND HSG CODE B (PN: 1-2310922-2) WIRE SIZE: 25MM ²
2336081-2	500±10		1-2336081-2	500±10	
2336081-3	1000±15		1-2336081-3	1000±15	
2336081-4	2000±25		1-2336081-4	2000±25	
2336081-5	3000±35		1-2336081-5	3000±35	
2336081-6	4000±45		1-2336081-6	4000±45	
2336081-7	5000±55		1-2336081-7	5000±55	
2336081-8	7500±80		1-2336081-8	7500±80	
2336081-9	10000±100		1-2336081-9	10000±100	

1	PC	-	LABE	10
A/R	MM	-	HV CABLE 25mm ²	9
2	PC	-	DEEP DRAWN SOCKET, PIN 90°, ASSY	8
2	PC	-	DEEP DRAWN SOCKET 90°, ASSY	7
2	PC	-	SHIELDING SLEEVE, 90°	6
2	PC	-	FINGER PROTECTION CAP	5
2	PC	-	SHIELD CRIMP FERRULE, 90°, 25mm ²	4
2	PC	-	SINGLE WIRE SEAL, 25mm ²	3
2	PC	-	PROTECTION COVER, 25mm ²	2
1	PC	1-2310922-2	2POS, 8MM HV, REC HSG 90°DEG, ASSY CODE B	1
1	PC	1-2310922-1	2POS, 8MM HV, REC HSG 90°DEG, ASSY CODE A	
PN SEE TABLE	U/M	TE P/N	DESCRIPTION	ITEM

NOTES

- 1 GENERAL ELECTRIC TEST:
 - 1.1 DIELECTRIC WITHSTAND: NO FLASHOVER WHEN SUBJECTED TO 2700VAC FOR 5 SECONDS, LEAKAGE CURRENT LESS THAN 15mA BETWEEN: HV CIRCUIT 1 TO HV CIRCUIT 2 HV CIRCUIT 1 AND 2 TO SHIELD
 - 1.2 INSULATION RESISTANCE: GREATER THAN 200MΩ AT 1000VDC ACROSS THE FOLLOWING LOCATIONS: HV CIRCUIT 1 TO HV CIRCUIT 2 HV CIRCUIT 1 AND 2 TO SHIELD.
 - 1.3 CONTINUITY TO BE 100% VERIFIED THROUGH ALL CIRCUIT AFTER ASSEMBL
- 2 APPLICATION INFORMATION:
 - RATING VOLTAGE: 850VDC
 - OPERATING TEMPERATURE: -40°C~+140°C
 - IP DEGREE: MATED STATE: IP6K9K, IP67; UNMATED STATE: IP2XB.
- 3 CABLE OUTLET MUST GO MIN. 10MM PARALLEL TO PROTECTION CAP. FIRST FIXATION POINT MAX. 80MM FROM PROTECTION COVER. AVOID TENSILE OR PRESSURE FORCE FROM THE CABLE. MIN. BENDING RADIUS 5 x D ACC. TO SPEC OF CABLE SUPPLIER.
- 4 LABEL CONTENT INCLUDES TE PART NUMBER, PART NUMBER REVISION, CODING INDEX AND MANUFACTURING DATE LABEL TO BE APPLIED TO THE CABLE AFTER SUCCESSFUL ELECTRICAL TEST.



THIS DRAWING IS A CONTROLLED DOCUMENT.

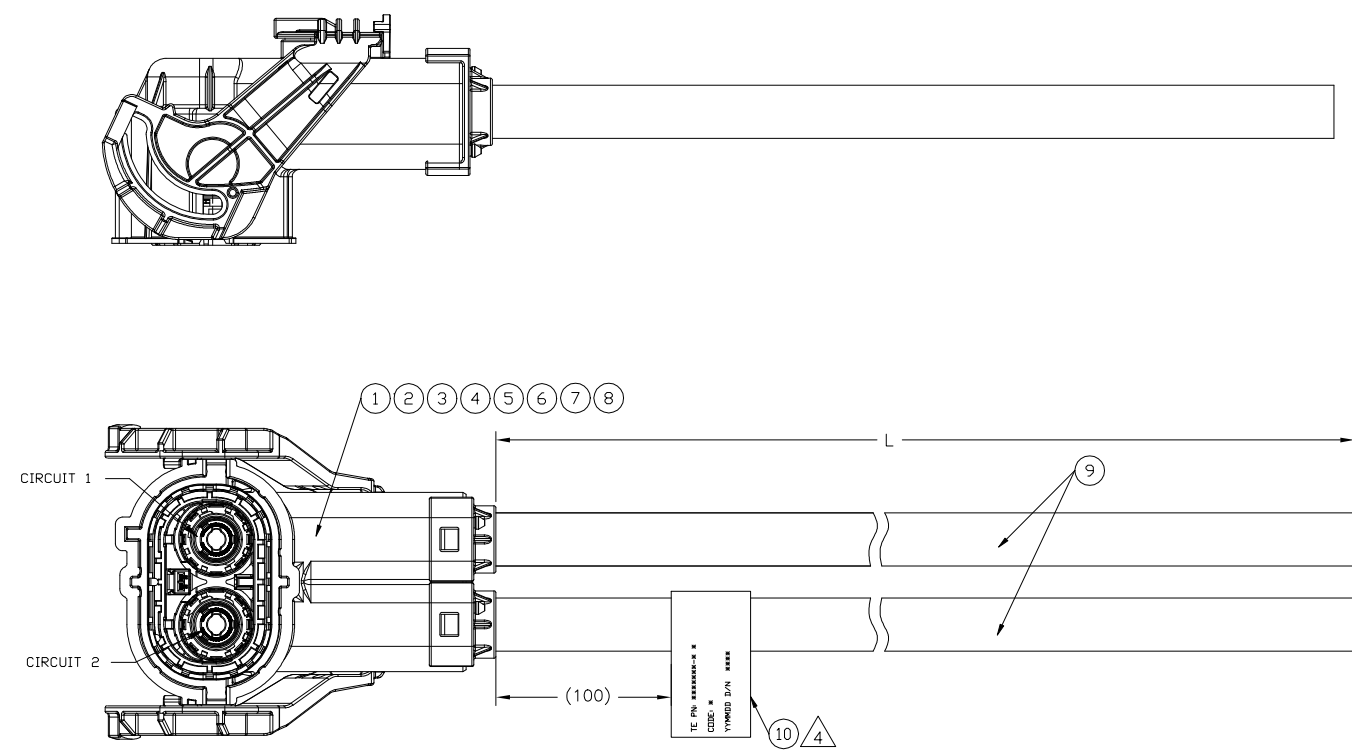
DMN	180CT2016	TE Connectivity
E L E F	180CT2016	
CHK	180CT2016	HVP800 2PHI PLUG 90D 25SQMM CABLE PIGTAIL
T L G	180CT2016	
APD	180CT2016	NAME
P.W		SIZE
PRODUCT SPEC		CAGE CODE
APPLICATION SPEC		DRAWING NO
		RESTRICTED TO
MATERIAL		WEIGHT
FINISH		SCALE

CUSTOMER DRAWING

SCALE: - SHEET 4 OF 12 REV A

THIS DRAWING IS UNPUBLISHED. RELEASED FOR PUBLICATION. ALL RIGHTS RESERVED.

REVISIONS				
#	LT#	DESCRIPTION	DATE	APP'D
-	-	SEE SHEET 1	-	-



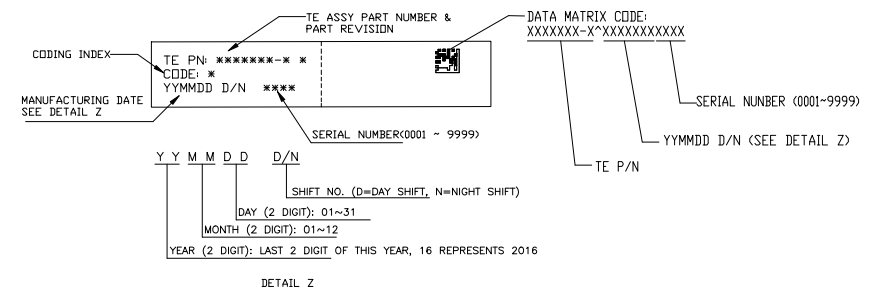
PIN OUT AND WIRE COLOR		
CIRCUIT	JUNCTION 1	WIRE COLOR
1	PIN 1	ORANGE
2	PIN 2	ORANGE

TE PART NUMBER	L	REMARK	TE PART NUMBER	L	REMARK
2-2336081-1	250±10	CHOOSE PRIORITY: 1ST HSG CODE A (PN: 1-2310922-1) WIRE SIZE: 35MM ²	3-2336081-1	250±10	CHOOSE PRIORITY: 2ND HSG CODE B (PN: 1-2310922-2) WIRE SIZE: 35MM ²
2-2336081-2	500±10		3-2336081-2	500±10	
2-2336081-3	1000±15		3-2336081-3	1000±15	
2-2336081-4	2000±25		3-2336081-4	2000±25	
2-2336081-5	3000±35		3-2336081-5	3000±35	
2-2336081-6	4000±45		3-2336081-6	4000±45	
2-2336081-7	5000±55		3-2336081-7	5000±55	
2-2336081-8	7500±80		3-2336081-8	7500±80	
2-2336081-9	10000±100		3-2336081-9	10000±100	

QTY	U/M	TE P/N	DESCRIPTION	ITEM
1	PC	-	LABE	10
A/R	MM	-	HV CABLE 35mm ²	9
2	PC	-	DEEP DRAWN SOCKET, PIN 90°, ASSY	8
2	PC	-	DEEP DRAWN SOCKET 90°, ASSY	7
2	PC	-	SHIELDING SLEEVE, 90°	6
2	PC	-	FINGER PROTECTION CAP	5
2	PC	-	SHIELD CRIMP FERRULE, 90°, 35mm ²	4
2	PC	-	SINGLE WIRE SEAL, 35mm ²	3
2	PC	-	PROTECTION COVER, 35mm ²	2
1	PC	1-2310922-2	2POS, 8MM HV, REC HSG 90°DEG, ASSY CODE B	1
1	PC	1-2310922-1	2POS, 8MM HV, REC HSG 90°DEG, ASSY CODE A	

NOTES

- 1 GENERAL ELECTRIC TEST:
 - 1.1 DIELECTRIC WITHSTAND: NO FLASHOVER WHEN SUBJECTED TO 2700VAC FOR 5 SECONDS, LEAKAGE CURRENT LESS THAN 15mA BETWEEN: HV CIRCUIT 1 TO HV CIRCUIT 2, HV CIRCUIT 1 AND 2 TO SHIELD
 - 1.2 INSULATION RESISTANCE: GREATER THAN 200MΩ AT 1000VDC ACROSS THE FOLLOWING LOCATIONS: HV CIRCUIT 1 TO HV CIRCUIT 2, HV CIRCUIT 1 AND 2 TO SHIELD.
 - 1.3 CONTINUITY TO BE 100% VERIFIED THROUGH ALL CIRCUIT AFTER ASSEMBL
- 2 APPLICATION INFORMATION:
 - RATING VOLTAGE: 850VDC
 - OPERATING TEMPERATURE: -40°C~+140°C
 - IP DEGREE: MATED STATE: IP6K9K, IP67; UNMATED STATE: IP2XB.
- 3 CABLE OUTLET MUST GO MIN. 10MM PARALLEL TO PROTECTION CAP. FIRST FIXATION POINT MAX. 80MM FROM PROTECTION COVER. AVOID TENSILE OR PRESSURE FORCE FROM THE CABLE. MIN. BENDING RADIUS 5 x D ACC. TO SPEC OF CABLE SUPPLIER.
- 4 LABEL CONTENT INCLUDES TE PART NUMBER, PART NUMBER REVISION, CODING INDEX AND MANUFACTURING DATE LABEL TO BE APPLIED TO THE CABLE AFTER SUCCESSFUL ELECTRICAL TEST.

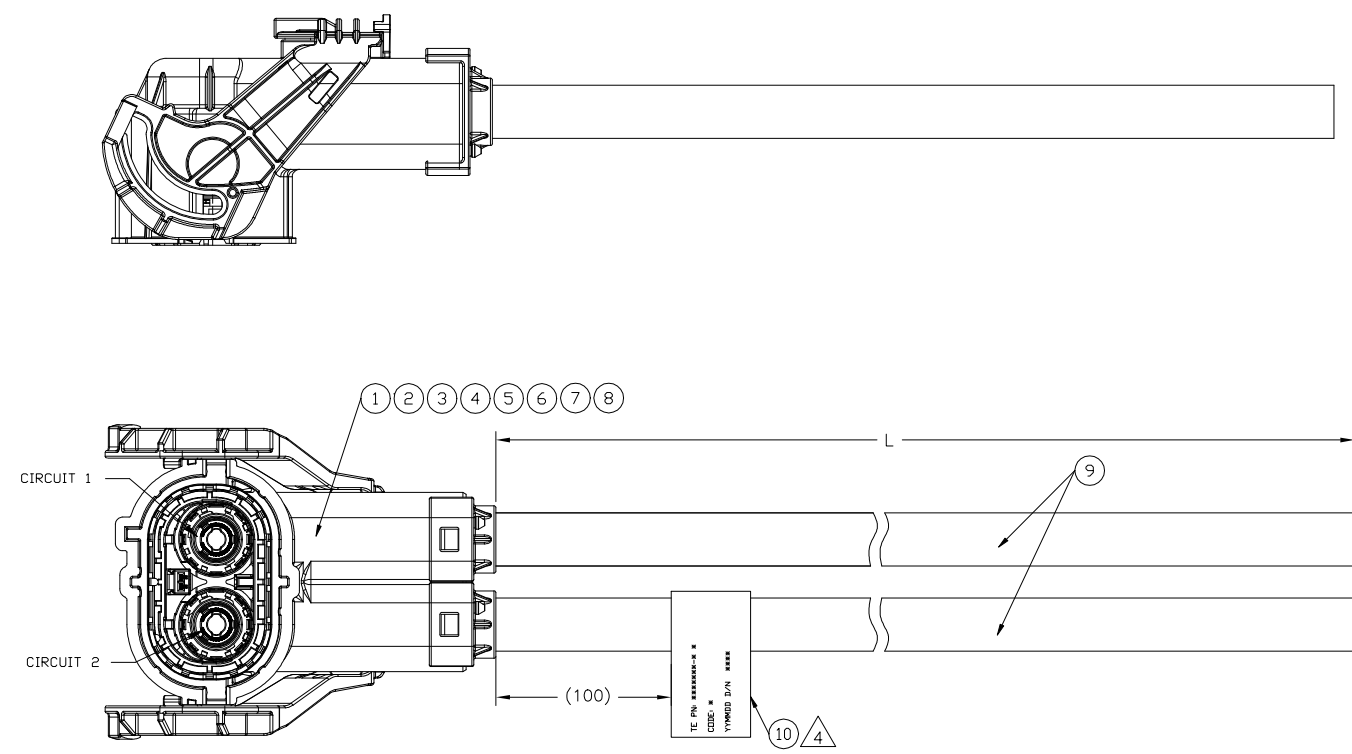


THIS DRAWING IS A CONTROLLED DOCUMENT.

DW	180CT2016	TE Connectivity
FILE	180CT2016	
CHK	180CT2016	NAME: HVP800 2PHI PLUG 90D 35SQMM CABLE PIGTAIL
T.G	180CT2016	
APP'D	180CT2016	SIZE: A1 CAGE CODE: 00779 DRAWING NO: C=2336081
P.W	180CT2016	
PRODUCT SPEC		RESTRICTED TO: -
APPLICATION SPEC		
MATERIAL		WEIGHT: 0 SCALE: - SHEET 5 OF 12 REV A

THIS DRAWING IS UNPUBLISHED. RELEASED FOR PUBLICATION. ALL RIGHTS RESERVED.

REVISIONS				
#	LT#	DESCRIPTION	DATE	APP'D
-	-	SEE SHEET 1	-	-



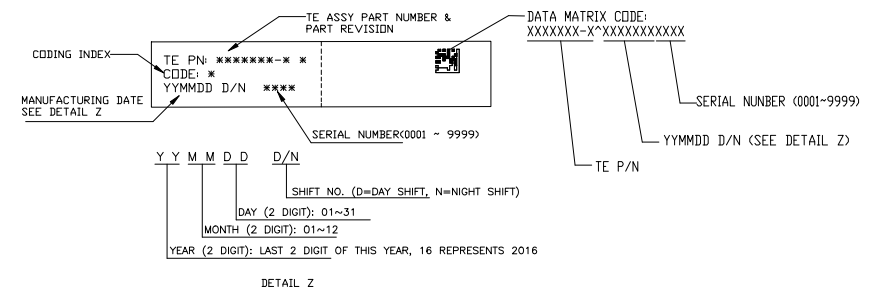
PIN OUT AND WIRE COLOR		
CIRCUIT	JUNCTION 1	WIRE COLOR
1	PIN 1	ORANGE
2	PIN 2	ORANGE

NOTES

- 1 GENERAL ELECTRIC TEST:
 - 1.1 DIELECTRIC WITHSTAND: NO FLASHOVER WHEN SUBJECTED TO 2700VAC FOR 5 SECONDS, LEAKAGE CURRENT LESS THAN 15mA BETWEEN: HV CIRCUIT 1 TO HV CIRCUIT 2, HV CIRCUIT 1 AND 2 TO SHIELD
 - 1.2 INSULATION RESISTANCE: GREATER THAN 200MΩ AT 1000VDC ACROSS THE FOLLOWING LOCATIONS: HV CIRCUIT 1 TO HV CIRCUIT 2, HV CIRCUIT 1 AND 2 TO SHIELD.
 - 1.3 CONTINUITY TO BE 100% VERIFIED THROUGH ALL CIRCUIT AFTER ASSEMBL
- 2 APPLICATION INFORMATION:
 - RATING VOLTAGE: 850VDC
 - OPERATING TEMPERATURE: -40°C~+140°C
 - IP DEGREE: MATED STATE: IP6K9K, IP67; UNMATED STATE: IP2XB.
- 3 CABLE OUTLET MUST GO MIN. 10MM PARALLEL TO PROTECTION CAP. FIRST FIXATION POINT MAX. 80MM FROM PROTECTION COVER. AVOID TENSILE OR PRESSURE FORCE FROM THE CABLE. MIN. BENDING RADIUS 5 x D ACC. TO SPEC OF CABLE SUPPLIER.
- 4 LABEL CONTENT INCLUDES TE PART NUMBER, PART NUMBER REVISION, CODING INDEX AND MANUFACTURING DATE. LABEL TO BE APPLIED TO THE CABLE AFTER SUCCESSFUL ELECTRICAL TEST.

TE PART NUMBER	L	REMARK	TE PART NUMBER	L	REMARK
4-2336081-1	250±10	CHOOSE PRIORITY: 1ST HSG CODE A (PN: 1-2310922-1) WIRE SIZE: 50MM ²	5-2336081-1	250±10	CHOOSE PRIORITY: 2ND HSG CODE B (PN: 1-2310922-2) WIRE SIZE: 50MM ²
4-2336081-2	500±10		5-2336081-2	500±10	
4-2336081-3	1000±15		5-2336081-3	1000±15	
4-2336081-4	2000±25		5-2336081-4	2000±25	
4-2336081-5	3000±35		5-2336081-5	3000±35	
4-2336081-6	4000±45		5-2336081-6	4000±45	
4-2336081-7	5000±55		5-2336081-7	5000±55	
4-2336081-8	7500±80		5-2336081-8	7500±80	
4-2336081-9	10000±100		5-2336081-9	10000±100	

QTY	U/M	TE P/N	DESCRIPTION	ITEM
1	PC	-	LABLE	10
A/R	MM	-	HV CABLE 50 mm ²	9
2	PC	-	DEEP DRAWN SOCKET, PIN 90°, ASSY	8
2	PC	-	DEEP DRAWN SOCKET 90°, ASSY	7
2	PC	-	SHIELDING SLEEVE, 90°	6
2	PC	-	FINGER PROTECTION CAP	5
2	PC	-	SHIELD CRIMP FERRULE, 90°, 50mm ²	4
2	PC	-	SINGLE WIRE SEAL, 50mm ²	3
2	PC	-	PROTECTION COVER, 50mm ²	2
1	PC	1-2310922-2	2POS, 8MM HV, REC HSG 90° DEG, ASSY CODE B	1
1	PC	1-2310922-1	2POS, 8MM HV, REC HSG 90° DEG, ASSY CODE A	



THIS DRAWING IS A CONTROLLED DOCUMENT.

DWG	180CT2016	DATE	180CT2016
CHK	180CT2016	DATE	180CT2016
APP'D	180CT2016	DATE	180CT2016

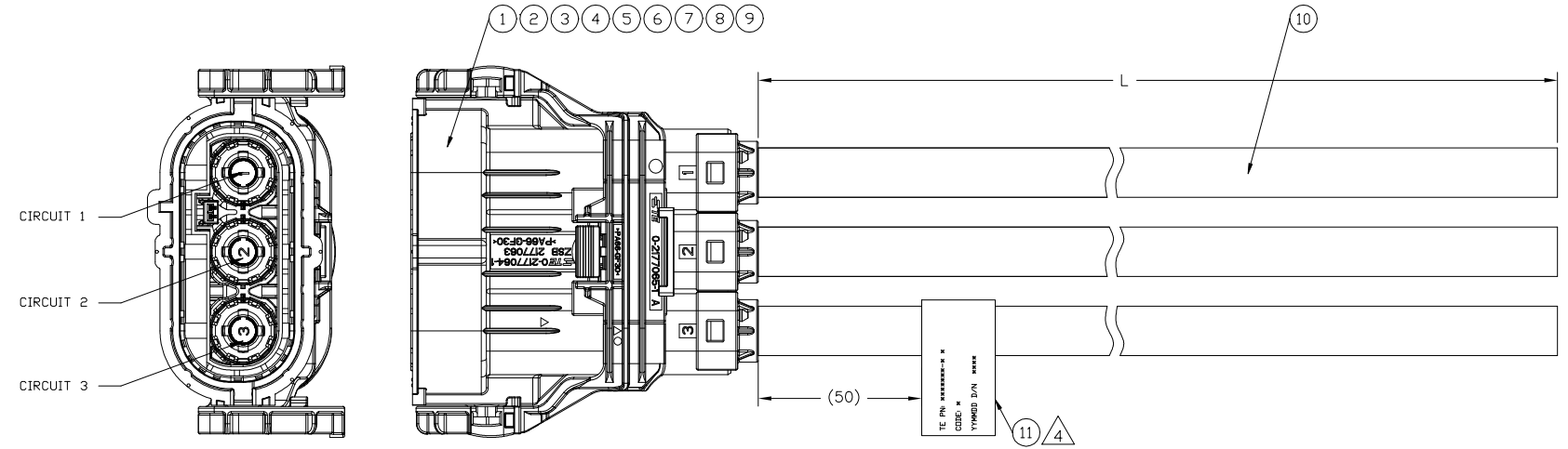
STE TE Connectivity

HVP800 2PHI PLUG 90D 50SQMM CABLE PIGTAIL

SCALE: - SHEET 6 OF 12 REV A

THIS DRAWING IS UNPUBLISHED. RELEASED FOR PUBLICATION. ALL RIGHTS RESERVED.

REVISIONS				
#	LTR	DESCRIPTION	DATE	DMN
-	-	SEE SHEET 1	-	-



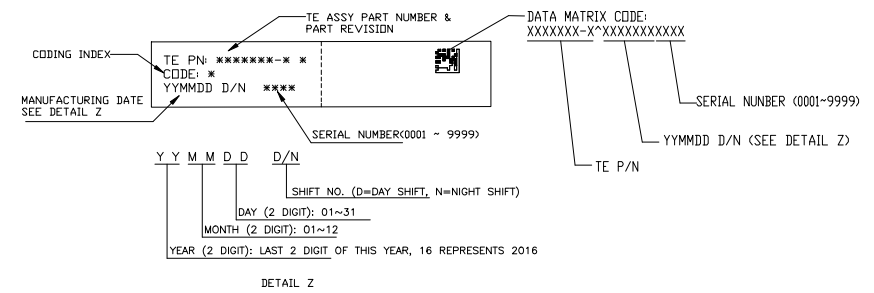
PIN OUT AND WIRE COLOR		
CIRCUIT	JUNCTION 1	WIRE COLOR
1	PIN 1	ORANGE
2	PIN 2	ORANGE
3	PIN 3	ORANGE

TE PART NUMBER	L	REMARK	TE PART NUMBER	L	REMARK
2315502-1	250±10	CHOOSE PRIORITY: 1ST HSG CODE A (PN: 1-2327025-1) WIRE SIZE: 25MM²	1-2315502-1	250±10	CHOOSE PRIORITY: 2ND HSG CODE B (PN: 1-2327025-3) WIRE SIZE: 25MM²
2315502-2	500±10		1-2315502-2	500±10	
2315502-3	1000±15		1-2315502-3	1000±15	
2315502-4	2000±25		1-2315502-4	2000±25	
2315502-5	3000±35		1-2315502-5	3000±35	
2315502-6	4000±45		1-2315502-6	4000±45	
2315502-7	5000±55		1-2315502-7	5000±55	
2315502-8	7500±80		1-2315502-8	7500±80	
2315502-9	10000±100		1-2315502-9	10000±100	

1	PC	-	LABEL	11
A/R	MM	-	HV CABLE 25 mm ²	10
3	PC	-	PROTEC. COVER 8MM HV,90°	9
3	PC	-	SINGLE WIRE SEAL,8MM HV,90°	8
3	PC	-	SHIELD, CRIMP SLEEVE	7
3	PC	-	SHIELD CRIMP FERRULE, INNER	6
3	PC	-	INSULATION INSERT 180°	5
3	PC	-	FINGER PROT CAP 8MM HV,180°	4
3	PC	-	SHIELDING SLEEVE 180°	3
3	PC	-	TURNED CONTACT 180°, 25mm ²	2
1	PC	1-2327025-3	3POS, 8MM HV, REC HSG 180°DEG, ASSY, SEALED, CODE B	1
1	PC	1-2327025-1	3POS, 8MM HV, REC HSG 180°DEG, ASSY, SEALED, CODE A	
PN SEE TABLE QT'Y	U/M	TE P/N	DESCRIPTION	ITEM

NOTES

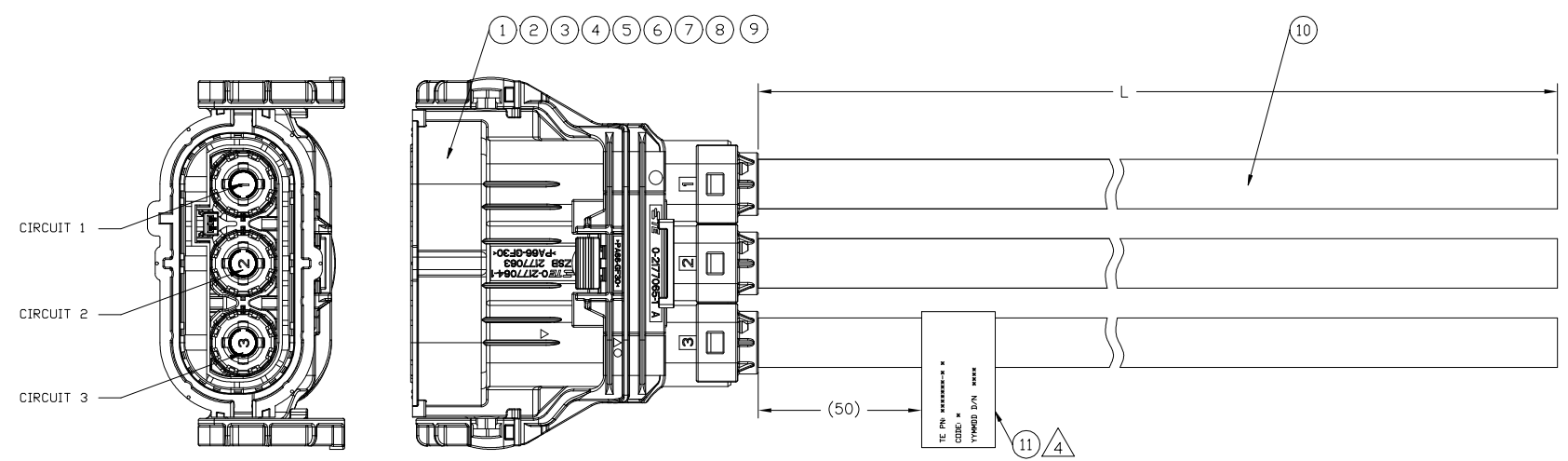
- 1 GENERAL ELECTRIC TEST:
 - 1.1 DIELECTRIC WITHSTAND: NO FLASHOVER WHEN SUBJECTED TO 2700VAC FOR 5 SECONDS, LEAKAGE CURRENT LESS THAN 15mA BETWEEN:
 - HV CIRCUIT 1&2 TO HV CIRCUIT 3
 - HV CIRCUIT 1 TO 2
 - HV CIRCUIT 1&2 AND 3 TO SHIELD
 - 1.2 INSULATION RESISTANCE: GREATER THAN 200MΩ WHEN SUBJECTED TO 1000VDC BETWEEN:
 - HV CIRCUIT 1&2 TO HV CIRCUIT 3
 - HV CIRCUIT 1 TO 2
 - HV CIRCUIT 1&2 AND 3 TO SHIELD
 - 1.3 CONTINUITY TO BE 100% VERIFIED THROUGH ALL CIRCUIT AFTER ASSEMBL
- 2 APPLICATION INFORMATION:
 - RATING VOLTAGE: 850VDC
 - OPERATING TEMPERATURE: -40°C~+140°C
 - IP DEGREE: MATED STATE: IP6K9K, IP67; UNMATED STATE: IP2XB.
- 3 CABLE OUTLET MUST GO MIN. 10MM PARALLEL TO PROTECTION CAP. FIRST FIXATION POINT MAX. 80MM FROM PROTECTION COVER. AVOID TENSILE OR PRESSURE FORCE FROM THE CABLE. MIN. BENDING RADIUS 5 × D ACC. TO SPEC OF CABLE SUPPLIER.
- 4 LABEL CONTENT INCLUDES TE PART NUMBER, PART NUMBER REVISION, CODING INDEX AND MANUFACTURING DATE LABEL TO BE APPLIED TO THE CABLE AFTER SUCCESSFUL ELECTRICAL TEST.



THIS DRAWING IS A CONTROLLED DOCUMENT.		DMN	180CT2016	TE Connectivity			
DIMENSIONS: mm		FILE	180CT2016				
TOLERANCES UNLESS OTHERWISE SPECIFIED:		CHK	180CT2016	HVP800 3PHI PLUG 180D 25SQMM CABLE PIGTAIL			
0 PLC ± -		APVD	180CT2016				
1 PLC ± -		P.W		SIZE	CAGE CODE	DRAWING NO	RESTRICTED TO
2 PLC ± -		PRODUCT SPEC		A1	00779	C=2315502	
3 PLC ± -		APPLICATION SPEC		WEIGHT	0		
4 PLC ± -				CUSTOMER DRAWING			
ANGLES ± -				SCALE		SHEET	7 OF 12
MATERIAL		FINISH					REV
							A

THIS DRAWING IS UNPUBLISHED. RELEASED FOR PUBLICATION. ALL RIGHTS RESERVED.

REVISIONS					
#	LTR	DESCRIPTION	DATE	DMN	APVD
-	-	SEE SHEET 1	-	-	-



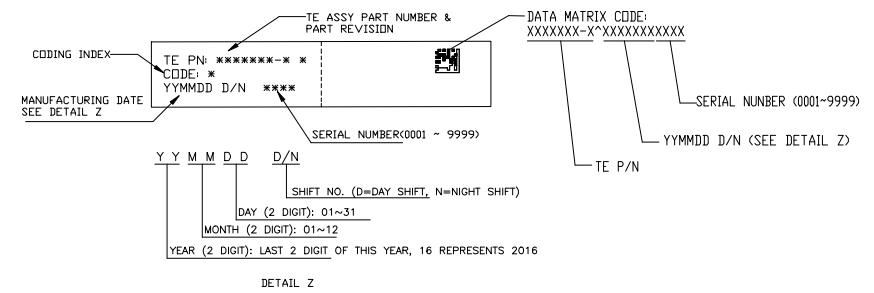
PIN OUT AND WIRE COLOR		
CIRCUIT	JUNCTION 1	WIRE COLOR
1	PIN 1	ORANGE
2	PIN 2	ORANGE
3	PIN 3	ORANGE

TE PART NUMBER	L	REMARK	TE PART NUMBER	L	REMARK
2-2315502-1	250±10	CHOOSE PRIORITY: 1ST HSG CODE A (PN: 1-2327025-1) WIRE SIZE: 35MM²	3-2315502-1	250±10	CHOOSE PRIORITY: 2ND HSG CODE B (PN:1-2327025-3) WIRE SIZE: 35MM²
2-2315502-2	500±10		3-2315502-2	500±10	
2-2315502-3	1000±15		3-2315502-3	1000±15	
2-2315502-4	2000±25		3-2315502-4	2000±25	
2-2315502-5	3000±35		3-2315502-5	3000±35	
2-2315502-6	4000±45		3-2315502-6	4000±45	
2-2315502-7	5000±55		3-2315502-7	5000±55	
2-2315502-8	7500±80		3-2315502-8	7500±80	
2-2315502-9	10000±100		3-2315502-9	10000±100	

1	PC	-	LABLE	11
A/R	MM	-	HV CABLE 35 mm ²	10
3	PC	-	PROTEC. COVER 8MM HV,90°	9
3	PC	-	SINGLE WIRE SEAL,8MM HV,90°	8
3	PC	-	SHIELD, CRIMP SLEEVE	7
3	PC	-	SHIELD CRIMP FERRULE, INNER	6
3	PC	-	INSULATION INSERT 180°	5
3	PC	-	FINGER PROT CAP 8MM HV,180°	4
3	PC	-	SHIELDING SLEEVE 180°	3
3	PC	-	TURNED CONTACT 180°, 35mm ²	2
1	PC	1-2327025-3	3POS, 8MM HV, REC HSG 180°DEG, ASSY, SEALED, CODE B	1
1	PC	1-2327025-1	3POS, 8MM HV, REC HSG 180°DEG, ASSY, SEALED, CODE A	
PN SEE TABLE QTY	U/M	TE P/N	DESCRIPTION	ITEM

NOTES

- 1 GENERAL ELECTRIC TEST:
 - 1.1 DIELECTRIC WITHSTAND: NO FLASHOVER WHEN SUBJECTED TO 2700VAC FOR 5 SECONDS, LEAKAGE CURRENT LESS THAN 15mA BETWEEN:
 - HV CIRCUIT 1&2 TO HV CIRCUIT 3
 - HV CIRCUIT 1 TO 2
 - HV CIRCUIT 1&2 AND 3 TO SHIELD
 - 1.2 INSULATION RESISTANCE: GREATER THAN 200MΩ WHEN SUBJECTED TO 1000VDC BETWEEN:
 - HV CIRCUIT 1&2 TO HV CIRCUIT 3
 - HV CIRCUIT 1 TO 2
 - HV CIRCUIT 1&2 AND 3 TO SHIELD
 - 1.3 CONTINUITY TO BE 100% VERIFIED THROUGH ALL CIRCUIT AFTER ASSEMBL
- 2 APPLICATION INFORMATION:
 - RATING VOLTAGE: 850VDC
 - OPERATING TEMPERATURE: -40°C~+140°C
 - IP DEGREE: MATED STATE: IP6K9K, IP67; UNMATED STATE: IP2XB.
- 3 CABLE OUTLET MUST GO MIN. 10MM PARALLEL TO PROTECTION CAP. FIRST FIXATION POINT MAX. 80MM FROM PROTECTION COVER. AVOID TENSILE OR PRESSURE FORCE FROM THE CABLE. MIN. BENDING RADIUS 5 x D ACC. TO SPEC OF CABLE SUPPLIER.
- 4 LABEL CONTENT INCLUDES TE PART NUMBER,PART NUMBER REVISION, CODING INDEX AND MANUFACTURING DATE LABEL TO BE APPLIED TO THE CABLE AFTER SUCCESSFUL ELECTRICAL TEST.

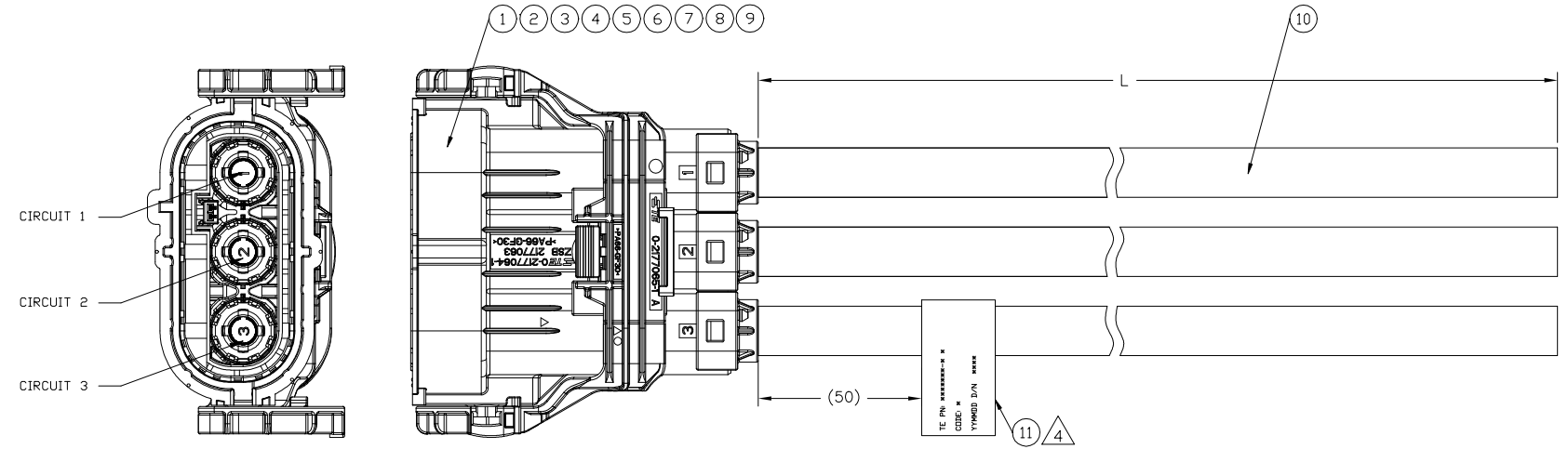


THIS DRAWING IS A CONTROLLED DOCUMENT.

DMN	180CT2016	TE Connectivity
FILEE	180CT2016	
CHK	180CT2016	
TLG		
APVD	180CT2016	NAME
P.W		
PRODUCT SPEC		HVP800 3PHI PLUG 180D 35SQMM CABLE PIGTAIL
APPLICATION SPEC		
SIZE	A1	CAGE CODE
WEIGHT	0	DRAWING NO
MATERIAL		00779
FINISH		©=2315502
CUSTOMER DRAWING		SCALE
		SHEET 8 OF 12
		REV A

THIS DRAWING IS UNPUBLISHED. RELEASED FOR PUBLICATION. ALL RIGHTS RESERVED.

REVISIONS				
#	LTR	DESCRIPTION	DATE	DMN
-	-	SEE SHEET 1	-	-



PIN OUT AND WIRE COLOR		
CIRCUIT	JUNCTION 1	WIRE COLOR
1	PIN 1	ORANGE
2	PIN 2	ORANGE
3	PIN 3	ORANGE

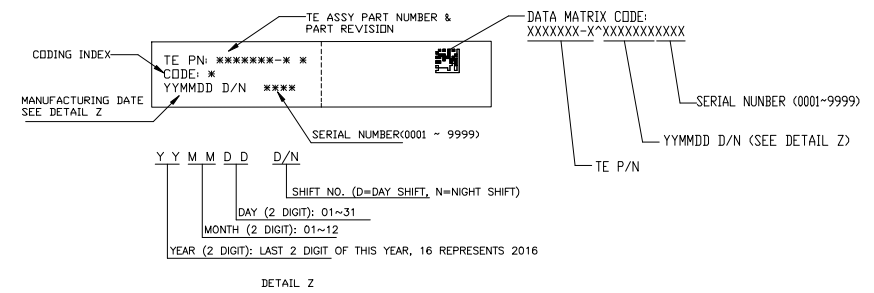
TE PART NUMBER	L	REMARK	TE PART NUMBER	L	REMARK
4-2315502-1	250±10	CHOOSE PRIORITY: 1ST HSG CODE A (PN: 1-2327025-1) WIRE SIZE: 50MM²	5-2315502-1	250±10	CHOOSE PRIORITY: 2ND HSG CODE B (PN: 1-2327025-3) WIRE SIZE: 50MM²
4-2315502-2	500±10		5-2315502-2	500±10	
4-2315502-3	1000±15		5-2315502-3	1000±15	
4-2315502-4	2000±25		5-2315502-4	2000±25	
4-2315502-5	3000±35		5-2315502-5	3000±35	
4-2315502-6	4000±45		5-2315502-6	4000±45	
4-2315502-7	5000±55		5-2315502-7	5000±55	
4-2315502-8	7500±80		5-2315502-8	7500±80	
4-2315502-9	10000±100		5-2315502-9	10000±100	

1	PC	-	LABEL	11
A/R	MM	-	HV CABLE 50 mm ²	10
3	PC	-	PROTEC. COVER 8MM HV,90°	9
3	PC	-	SINGLE WIRE SEAL,8MM HV,90°	8
3	PC	-	SHIELD, CRIMP SLEEVE	7
3	PC	-	SHIELD CRIMP FERRULE, INNER	6
3	PC	-	INSULATION INSERT 180°	5
3	PC	-	FINGER PROT CAP 8MM HV,180°	4
3	PC	-	SHIELDING SLEEVE 180°	3
3	PC	-	TURNUED CONTACT 180°, 50mm ²	2
1	PC	1-2327025-3	3POS, 8MM HV, REC HSG 180°DEG, ASSY, SEALED, CODE B	1
1	PC	1-2327025-1	3POS, 8MM HV, REC HSG 180°DEG, ASSY, SEALED, CODE A	
PN SEE TABLE	U/M	TE P/N	DESCRIPTION	ITEM

NOTES

- 1 GENERAL ELECTRIC TEST:
 - 1.1 DIELECTRIC WITHSTAND: NO FLASHOVER WHEN SUBJECTED TO 2700VAC FOR 5 SECONDS, LEAKAGE CURRENT LESS THAN 15mA BETWEEN:
 - HV CIRCUIT 1&2 TO HV CIRCUIT 3
 - HV CIRCUIT 1 TO 2
 - HV CIRCUIT 1&2 AND 3 TO SHIELD
 - 1.2 INSULATION RESISTANCE: GREATER THAN 200MΩ WHEN SUBJECTED TO 1000VDC BETWEEN:
 - HV CIRCUIT 1&2 TO HV CIRCUIT 3
 - HV CIRCUIT 1 TO 2
 - HV CIRCUIT 1&2 AND 3 TO SHIELD
 - 1.3 CONTINUITY TO BE 100% VERIFIED THROUGH ALL CIRCUIT AFTER ASSEMBL
- 2 APPLICATION INFORMATION:
 - RATING VOLTAGE: 850VDC
 - OPERATING TEMPERATURE: -40°C~+140°C
 - IP DEGREE: MATED STATE: IP6K9K, IP67; UNMATED STATE: IP2XB.
- 3 CABLE OUTLET MUST GO MIN. 10MM PARALLEL TO PROTECTION CAP. FIRST FIXATION POINT MAX. 80MM FROM PROTECTION COVER. AVOID TENSILE OR PRESSURE FORCE FROM THE CABLE. MIN. BENDING RADIUS 5 × D ACC. TO SPEC OF CABLE SUPPLIER.

4 LABEL CONTENT INCLUDES TE PART NUMBER, PART NUMBER REVISION, CODING INDEX AND MANUFACTURING DATE LABEL TO BE APPLIED TO THE CABLE AFTER SUCCESSFUL ELECTRICAL TEST.



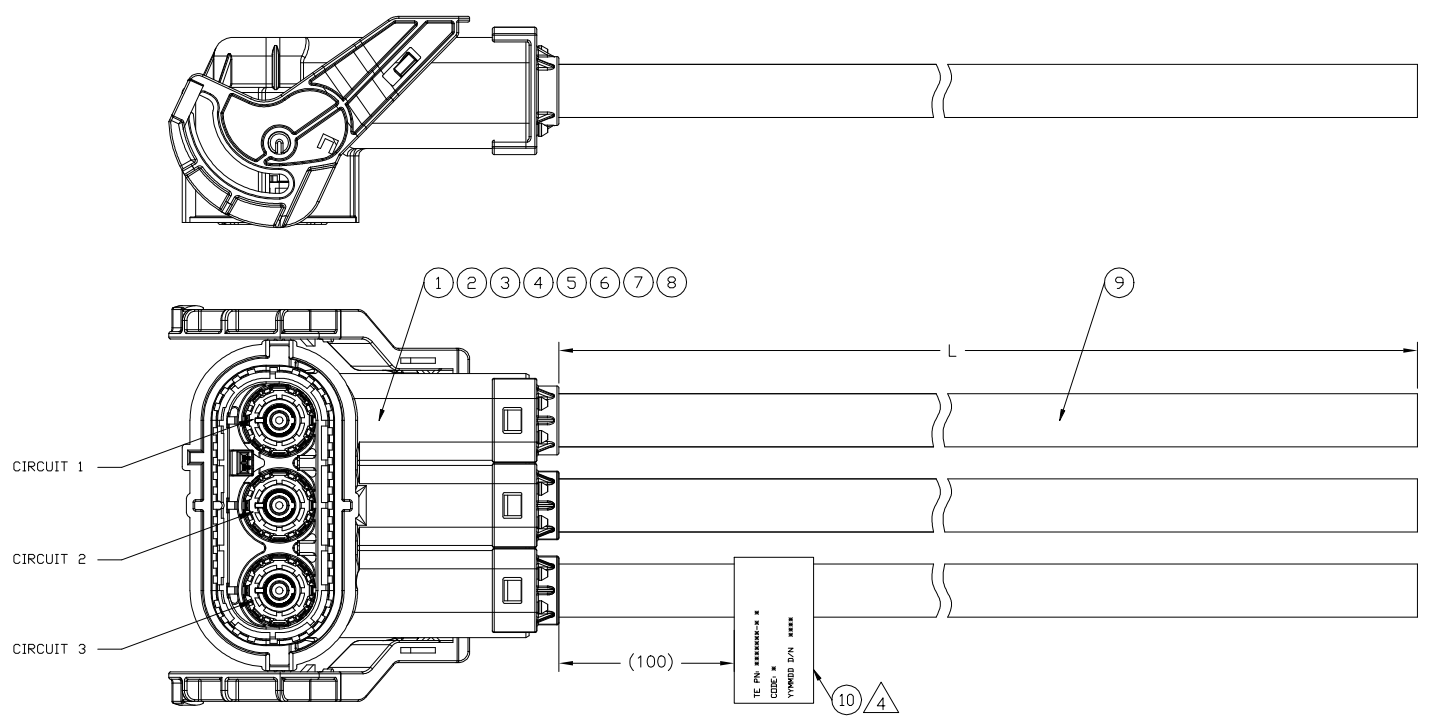
THIS DRAWING IS A CONTROLLED DOCUMENT.

DMN	180CT2016	TE Connectivity
FILEE	180CT2016	
CHK	180CT2016	HVP800 3PHI PLUG 180D 50SQMM CABLE PIGTAIL
TLG	180CT2016	
APVD	180CT2016	NAME
P.W		SIZE
PRODUCT SPEC		CAGE CODE
APPLICATION SPEC		DRAWING NO
		RESTRICTED TO
MATERIAL		WEIGHT
FINISH		SCALE

4806 (1/15)

THIS DRAWING IS UNPUBLISHED. RELEASED FOR PUBLICATION. ALL RIGHTS RESERVED.

REVISIONS				
#	LT#	DESCRIPTION	DATE	APP'D
-	-	SEE SHEET 1	-	-



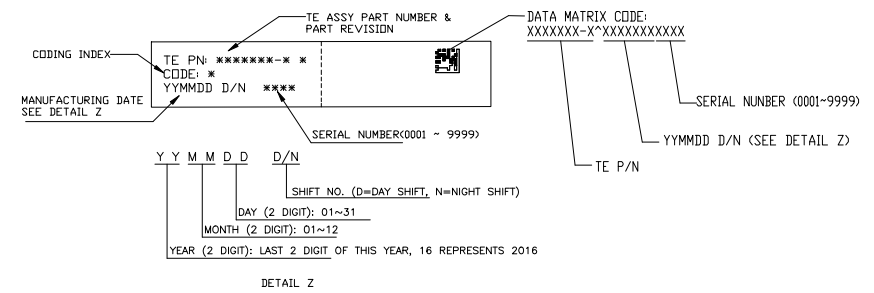
PIN OUT AND WIRE COLOR		
CIRCUIT	JUNCTION 1	WIRE COLOR
1	PIN 1	ORANGE
2	PIN 2	ORANGE
3	PIN 3	ORANGE

TE PART NUMBER	L	REMARK	TE PART NUMBER	L	REMARK
2336139-1	250±10	CHOOSE PRIORITY: 1ST HSG CODE A (PN: 1-2325010-1) WIRE SIZE: 25MM²	1-2336139-1	250±10	CHOOSE PRIORITY: 2ND HSG CODE B (PN: 1-2325010-2) WIRE SIZE: 25MM²
2336139-2	500±10		1-2336139-2	500±10	
2336139-3	1000±15		1-2336139-3	1000±15	
2336139-4	2000±25		1-2336139-4	2000±25	
2336139-5	3000±35		1-2336139-5	3000±35	
2336139-6	4000±45		1-2336139-6	4000±45	
2336139-7	5000±55		1-2336139-7	5000±55	
2336139-8	7500±80		1-2336139-8	7500±80	
2336139-9	10000±100		1-2336139-9	10000±100	

PN	QTY	U/M	TE P/N	DESCRIPTION	ITEM
1		PC	-	LABLE	10
A/R		MM	-	HV CABLE 25 mm ²	9
3		PC	-	DEEP DRAWN SOCKET, PIN 90°, ASSY	8
3		PC	-	DEEP DRAWN SOCKET 90°, ASSY	7
3		PC	-	SHIELDING SLEEVE, 90°	6
3		PC	-	FINGER PROTECTION CAP	5
3		PC	-	SHIELD CRIMP FERRULE, 90°, 25mm ²	4
3		PC	-	SINGLE WIRE SEAL, 25mm ²	3
3		PC	-	PROTECTION COVER, 25mm ²	2
1		PC	1-2325010-2	3POS, 8MM HV, REC HSG 90°DEG, ASSY CODE B	1
1		PC	1-2325010-1	3POS, 8MM HV, REC HSG 90°DEG, ASSY CODE A	

NOTES

- 1 GENERAL ELECTRIC TEST:
 - 1.1 DIELECTRIC WITHSTAND: NO FLASHOVER WHEN SUBJECTED TO 2700VAC FOR 5 SECONDS, LEAKAGE CURRENT LESS THAN 15mA BETWEEN:
 - HV CIRCUIT 1&2 TO HV CIRCUIT 3
 - HV CIRCUIT 1 TO 2
 - HV CIRCUIT 1&2 AND 3 TO SHIELD
 - 1.2 INSULATION RESISTANCE: GREATER THAN 200MΩ WHEN SUBJECTED TO 1000VDC BETWEEN:
 - HV CIRCUIT 1&2 TO HV CIRCUIT 3
 - HV CIRCUIT 1 TO 2
 - HV CIRCUIT 1&2 AND 3 TO SHIELD
 - 1.3 CONTINUITY TO BE 100% VERIFIED THROUGH ALL CIRCUIT AFTER ASSEMBL
- 2 APPLICATION INFORMATION:
 - RATING VOLTAGE: 850VDC
 - OPERATING TEMPERATURE: -40°C~+140°C
 - IP DEGREE: MATED STATE: IP6K9K, IP67; UNMATED STATE: IP2XB.
- 3 CABLE OUTLET MUST GO MIN. 10MM PARALLEL TO PROTECTION CAP. FIRST FIXATION POINT MAX. 80MM FROM PROTECTION COVER. AVOID TENSILE OR PRESSURE FORCE FROM THE CABLE. MIN. BENDING RADIUS 5 × D ACC. TO SPEC OF CABLE SUPPLIER.
- 4 LABEL CONTENT INCLUDES TE PART NUMBER, PART NUMBER REVISION, CODING INDEX AND MANUFACTURING DATE LABEL TO BE APPLIED TO THE CABLE AFTER SUCCESSFUL ELECTRICAL TEST.



THIS DRAWING IS A CONTROLLED DOCUMENT.

DWG	FILEE	18OCT2016
CHK	T.G	18OCT2016
APP'D	P.W	18OCT2016

TE Connectivity

HVP800 3PHI PLUG 90D 25SQMM CABLE PIGTAIL

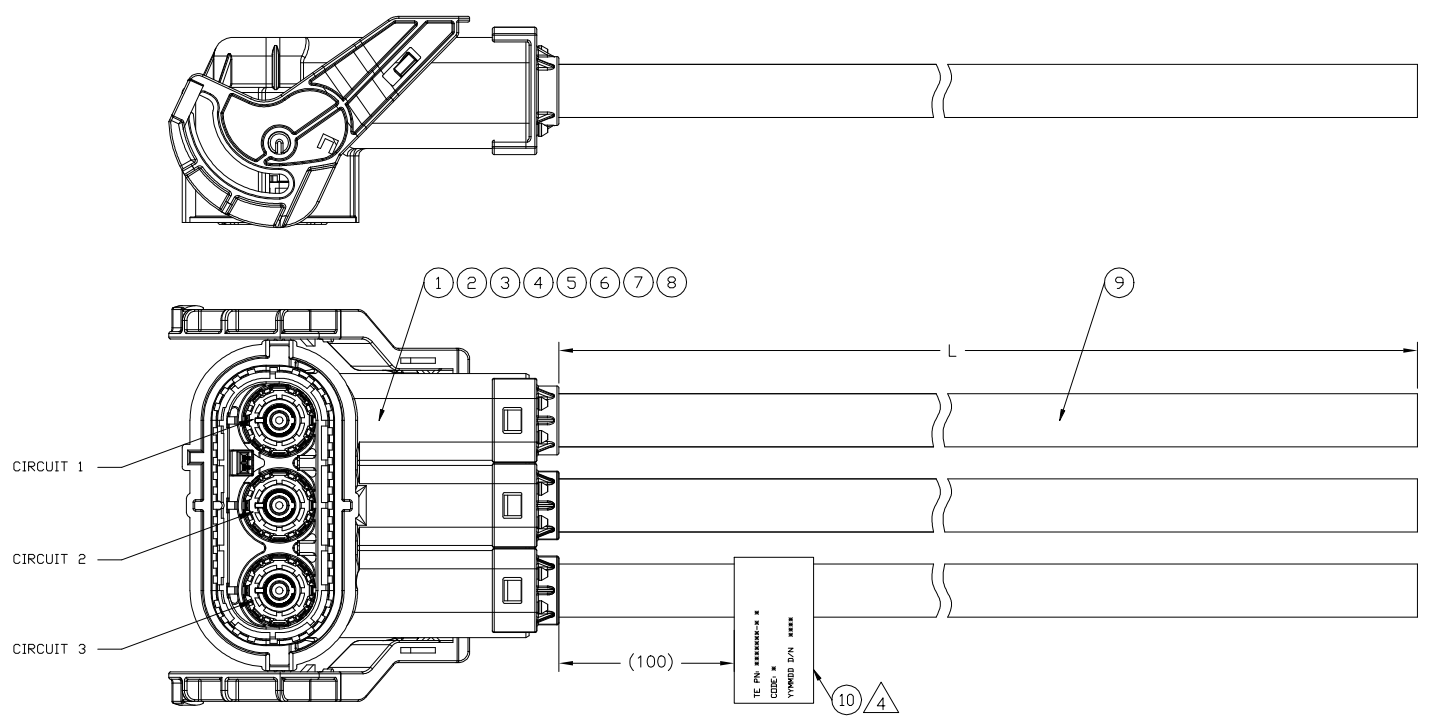
SIZE: A1 CAGE CODE: 00779 DRAWING NO: C=2336139

CUSTOMER DRAWING

SCALE: - SHEET 10 OF 12 REV A

THIS DRAWING IS UNPUBLISHED. RELEASED FOR PUBLICATION. ALL RIGHTS RESERVED.

REVISIONS				
#	LTR	DESCRIPTION	DATE	BY
-	-	SEE SHEET 1	-	-



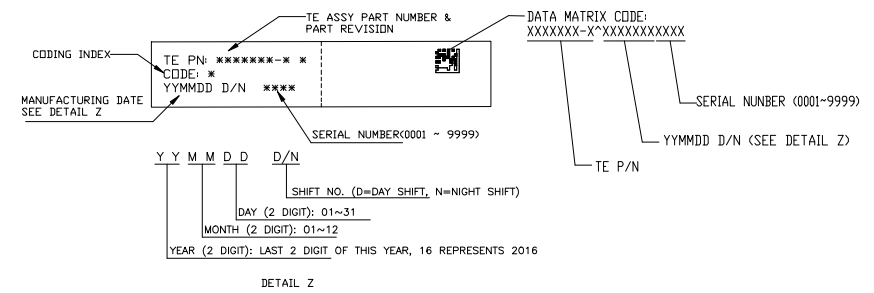
PIN OUT AND WIRE COLOR		
CIRCUIT	JUNCTION 1	WIRE COLOR
1	PIN 1	ORANGE
2	PIN 2	ORANGE
3	PIN 3	ORANGE

TE PART NUMBER	L	REMARK	TE PART NUMBER	L	REMARK
2-2336139-1	250±10	CHOOSE PRIORITY: 1ST HSG CODE A (PN: 1-2325010-1) WIRE SIZE: 35MM²	3-2336139-1	250±10	CHOOSE PRIORITY: 2ND HSG CODE B (PN: 1-2325010-2) WIRE SIZE: 35MM²
2-2336139-2	500±10		3-2336139-2	500±10	
2-2336139-3	1000±15		3-2336139-3	1000±15	
2-2336139-4	2000±25		3-2336139-4	2000±25	
2-2336139-5	3000±35		3-2336139-5	3000±35	
2-2336139-6	4000±45		3-2336139-6	4000±45	
2-2336139-7	5000±55		3-2336139-7	5000±55	
2-2336139-8	7500±80		3-2336139-8	7500±80	
2-2336139-9	10000±100		3-2336139-9	10000±100	

1	PC	-	LABLE	10
A/R	MM	-	HV CABLE 35 mm ²	9
3	PC	-	DEEP DRAWN SOCKET, PIN 90°, ASSY	8
3	PC	-	DEEP DRAWN SOCKET 90°, ASSY	7
3	PC	-	SHIELDING SLEEVE, 90°	6
3	PC	-	FINGER PROTECTION CAP	5
3	PC	-	SHIELD CRIMP FERRULE, 90°, 35mm ²	4
3	PC	-	SINGLE WIRE SEAL, 35mm ²	3
3	PC	-	PROTECTION COVER, 35mm ²	2
1	PC	1-2325010-2	3POS, 8MM HV, REC HSG 90°DEG, ASSY CODE B	1
1	PC	1-2325010-1	3POS, 8MM HV, REC HSG 90°DEG, ASSY CODE A	
PN SEE TABLE QTY	U/M	TE P/N	DESCRIPTION	ITEM

NOTES

- 1 GENERAL ELECTRIC TEST:
 - 1.1 DIELECTRIC WITHSTAND: NO FLASHOVER WHEN SUBJECTED TO 2700VAC FOR 5 SECONDS, LEAKAGE CURRENT LESS THAN 15mA BETWEEN:
 - HV CIRCUIT 1&2 TO HV CIRCUIT 3
 - HV CIRCUIT 1 TO 2
 - HV CIRCUIT 1&2 AND 3 TO SHIELD
 - 1.2 INSULATION RESISTANCE: GREATER THAN 200MΩ WHEN SUBJECTED TO 1000VDC BETWEEN:
 - HV CIRCUIT 1&2 TO HV CIRCUIT 3
 - HV CIRCUIT 1 TO 2
 - HV CIRCUIT 1&2 AND 3 TO SHIELD
 - 1.3 CONTINUITY TO BE 100% VERIFIED THROUGH ALL CIRCUIT AFTER ASSEMBL
- 2 APPLICATION INFORMATION:
 - RATING VOLTAGE: 850VDC
 - OPERATING TEMPERATURE: -40°C~+140°C
 - IP DEGREE: MATED STATE: IP6K9K, IP67; UNMATED STATE: IP2XB.
- 3 CABLE OUTLET MUST GO MIN. 10MM PARALLEL TO PROTECTION CAP. FIRST FIXATION POINT MAX. 80MM FROM PROTECTION COVER. AVOID TENSILE OR PRESSURE FORCE FROM THE CABLE. MIN. BENDING RADIUS 5 x D ACC. TO SPEC OF CABLE SUPPLIER.
- 4 LABEL CONTENT INCLUDES TE PART NUMBER, PART NUMBER REVISION, CODING INDEX AND MANUFACTURING DATE LABEL TO BE APPLIED TO THE CABLE AFTER SUCCESSFUL ELECTRICAL TEST.



THIS DRAWING IS A CONTROLLED DOCUMENT.

DWG	FILEE	18OCT2016
CHK	T.G	18OCT2016
APP'D	P.W	18OCT2016

STE TE Connectivity

HVP800 3PHI PLUG 90D 35SQMM CABLE PIGTAIL

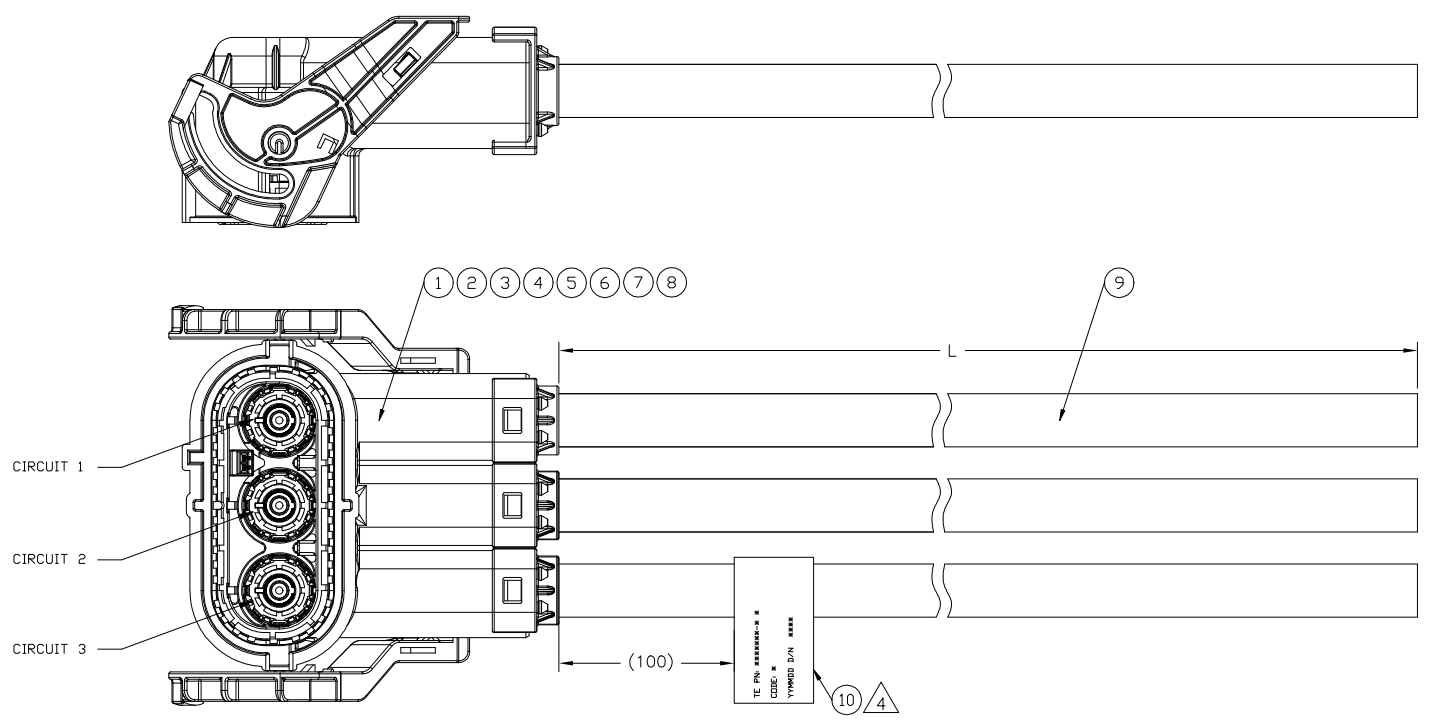
SIZE: A1 CAGE CODE: 00779 DRAWING NO: C=2336139

CUSTOMER DRAWING

SCALE: - SHEET 11 OF 12 REV A

THIS DRAWING IS UNPUBLISHED. RELEASED FOR PUBLICATION. ALL RIGHTS RESERVED.

REVISIONS				
#	LT#	DESCRIPTION	DATE	APP'D
-	-	SEE SHEET 1	-	-



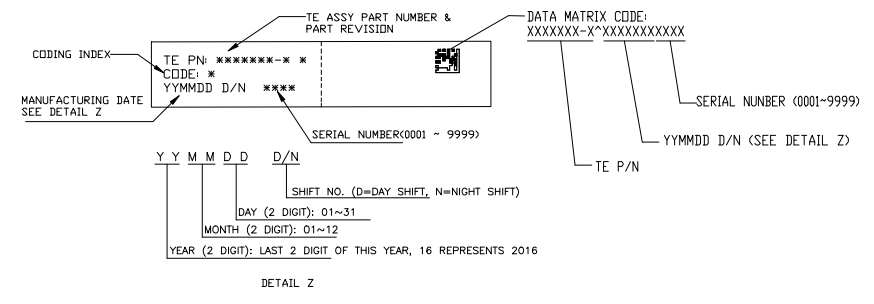
PIN OUT AND WIRE COLOR		
CIRCUIT	JUNCTION 1	WIRE COLOR
1	PIN 1	ORANGE
2	PIN 2	ORANGE
3	PIN 3	ORANGE

TE PART NUMBER	L	REMARK	TE PART NUMBER	L	REMARK
4-2336139-1	250±10	CHOOSE PRIORITY: 1ST HSG CODE A (PN: 1-2325010-1) WIRE SIZE: 50MM²	5-2336139-1	250±10	CHOOSE PRIORITY: 2ND HSG CODE B (PN: 1-2325010-2) WIRE SIZE: 50MM²
4-2336139-2	500±10		5-2336139-2	500±10	
4-2336139-3	1000±15		5-2336139-3	1000±15	
4-2336139-4	2000±25		5-2336139-4	2000±25	
4-2336139-5	3000±35		5-2336139-5	3000±35	
4-2336139-6	4000±45		5-2336139-6	4000±45	
4-2336139-7	5000±55		5-2336139-7	5000±55	
4-2336139-8	7500±80		5-2336139-8	7500±80	
4-2336139-9	10000±100		5-2336139-9	10000±100	

1	PC	-	LABLE	10
A/R	MM	-	HV CABLE 50 mm ²	9
3	PC	-	DEEP DRAWN SOCKET, PIN 90°, ASSY	8
3	PC	-	DEEP DRAWN SOCKET 90°, ASSY	7
3	PC	-	SHIELDING SLEEVE, 90°	6
3	PC	-	FINGER PROTECTION CAP	5
3	PC	-	SHIELD CRIMP FERRULE, 90°, 50mm ²	4
3	PC	-	SINGLE WIRE SEAL, 50mm ²	3
3	PC	-	PROTECTION COVER, 50mm ²	2
1	PC	1-2325010-2	3POS, 8MM HV, REC HSG 90°DEG, ASSY CODE A	1
1	PC	1-2325010-1	3POS, 8MM HV, REC HSG 90°DEG, ASSY CODE A	
PN SEE TABLE QTY	U/M	TE P/N	DESCRIPTION	ITEM

NOTES

- 1 GENERAL ELECTRIC TEST:
 - 1.1 DIELECTRIC WITHSTAND: NO FLASHOVER WHEN SUBJECTED TO 2700VAC FOR 5 SECONDS, LEAKAGE CURRENT LESS THAN 15mA BETWEEN:
 - HV CIRCUIT 1&2 TO HV CIRCUIT 3
 - HV CIRCUIT 1 TO 2
 - HV CIRCUIT 1&2 AND 3 TO SHIELD
 - 1.2 INSULATION RESISTANCE: GREATER THAN 200MΩ WHEN SUBJECTED TO 1000VDC BETWEEN:
 - HV CIRCUIT 1&2 TO HV CIRCUIT 3
 - HV CIRCUIT 1 TO 2
 - HV CIRCUIT 1&2 AND 3 TO SHIELD
 - 1.3 CONTINUITY TO BE 100% VERIFIED THROUGH ALL CIRCUIT AFTER ASSEMBL
- 2 APPLICATION INFORMATION:
 - RATING VOLTAGE: 850VDC
 - OPERATING TEMPERATURE: -40°C~+140°C
 - IP DEGREE: MATED STATE: IP6K9K, IP67; UNMATED STATE: IP2XB.
- 3 CABLE OUTLET MUST GO MIN. 10MM PARALLEL TO PROTECTION CAP. FIRST FIXATION POINT MAX. 80MM FROM PROTECTION COVER. AVOID TENSILE OR PRESSURE FORCE FROM THE CABLE. MIN. BENDING RADIUS 5 x D ACC. TO SPEC OF CABLE SUPPLIER.
- 4 LABEL CONTENT INCLUDES TE PART NUMBER, PART NUMBER REVISION, CODING INDEX AND MANUFACTURING DATE LABEL TO BE APPLIED TO THE CABLE AFTER SUCCESSFUL ELECTRICAL TEST.



THIS DRAWING IS A CONTROLLED DOCUMENT.

DWG	FILEE	18OCT2016
CHK	T.G	18OCT2016
APP'D	P.W	18OCT2016

STE TE Connectivity
 HVP800 3PHI PLUG 90D 50SQMM CABLE PIGTAIL
 DIMENSIONS: mm
 TOLERANCES UNLESS OTHERWISE SPECIFIED:
 0 PLC ± -
 1 PLC ± -
 2 PLC ± -
 3 PLC ± -
 4 PLC ± -
 ANGLES ± -
 MATERIAL - FINISH -
 WEIGHT 0
 SIZE A1
 CAGE CODE 00779
 DRAWING NO C=2336139
 CUSTOMER DRAWING
 SCALE - SHEET 12 OF 12 REV A