

THIS DRAWING IS UNPUBLISHED.

RELEASED FOR PUBLICATION

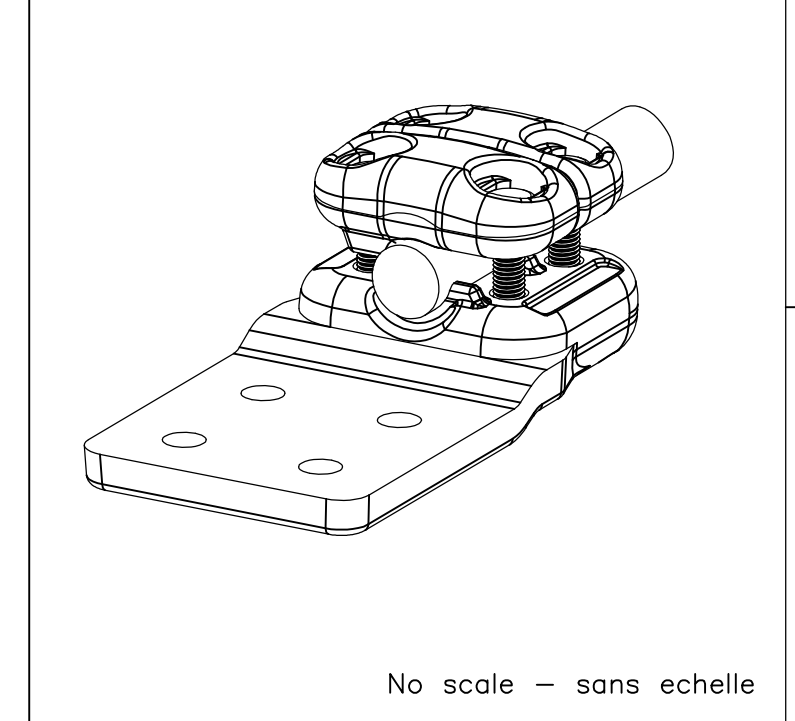
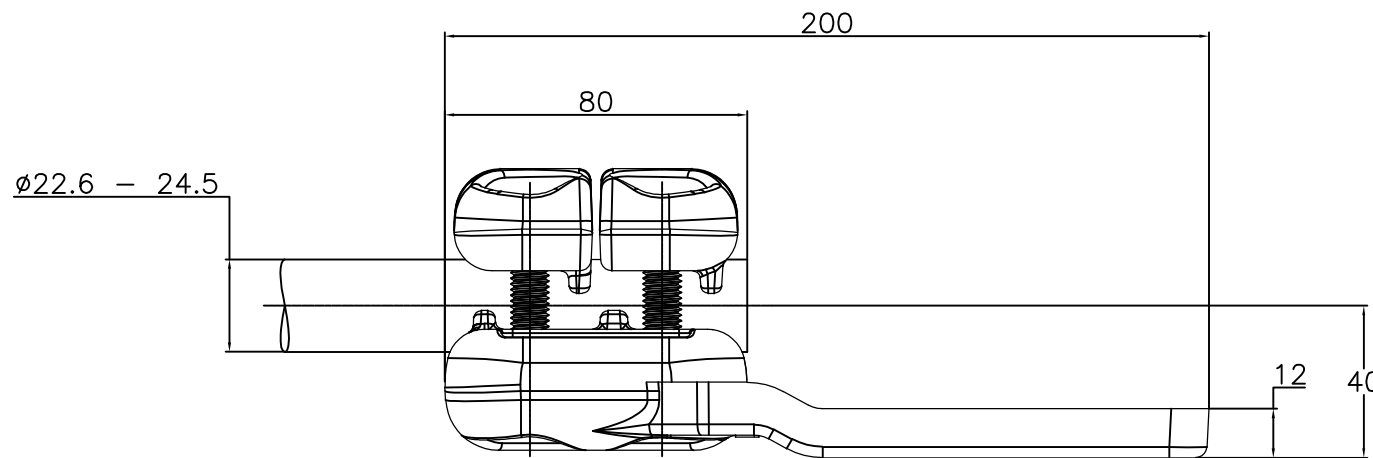
-. - .

© COPYRIGHT - By -

ALL RIGHTS RESERVED.

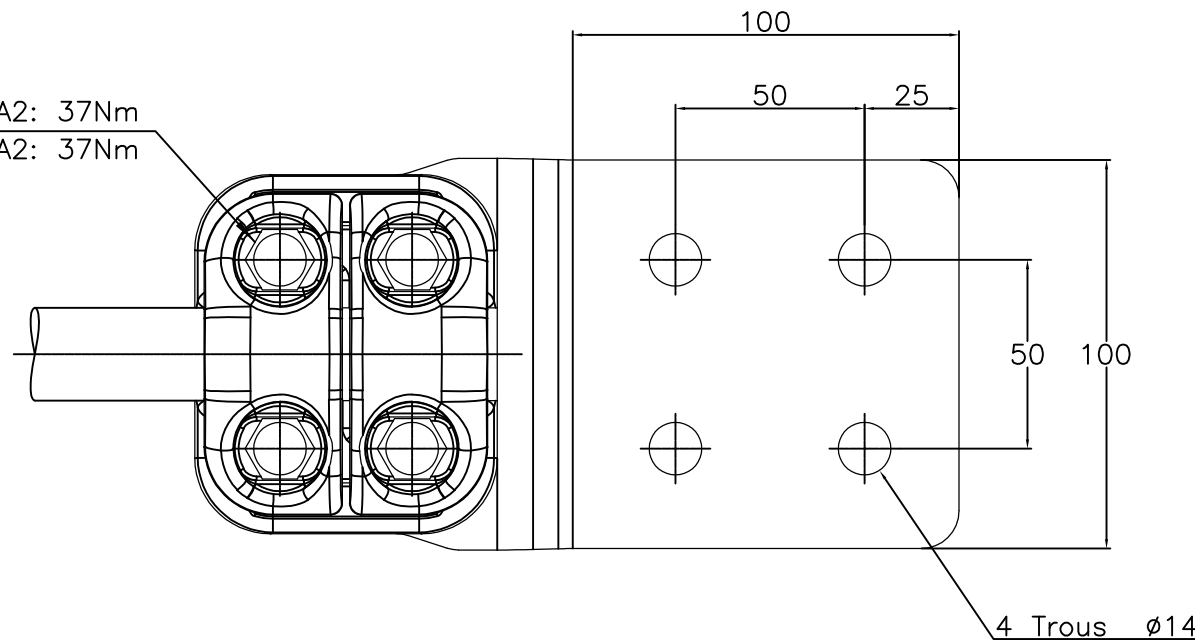
REVISIONS

P	LTR	DESCRIPTION	DATE	DWN	APVD
	A	CREATION	13-Feb-17	PG	-



No scale - sans echelle

M10 Bolts stainless steel A2: 37Nm
 Boulons M10 acier inoxydable A2: 37Nm



ITEM:.....

THIS DRAWING IS A CONTROLLED DOCUMENT.

DWN GARNIER P. 14-Feb-17

CHK -

APVD -

PRODUCT SPEC

108-69096-001

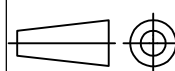
APPLICATION SPEC

-

APPROX.WEIGHT 1.5 kg

CUSTOMER DRAWING

DIMENSIONS:
mm



TOLERANCES UNLESS OTHERWISE SPECIFIED:

0 PLC	$\pm -$
1 PLC	$\pm -$
2 PLC	$\pm -$
3 PLC	$\pm -$
4 PLC	$\pm -$
ANGLES	$\pm -$
FINISH	-

MATERIAL

-



NAME
 Pad connector for cable
 Raccord a plage pour cable
 5 PD 82 S245 100 C34

SIZE	CAGE CODE	DRAWING NO	RESTRICTED TO
A3	-	©=2314464	-

SCALE	SHEET	REV
1/2	1 OF 1	A