

THIS DRAWING IS UNPUBLISHED.

RELEASED FOR PUBLICATION

-. - .

REVISIONS

© COPYRIGHT - By -

ALL RIGHTS RESERVED.

P	LTR	DESCRIPTION	DATE	DWN	APVD
	A	CREATION	10-Fev-17	PG	-

∅42.6 - 44.5

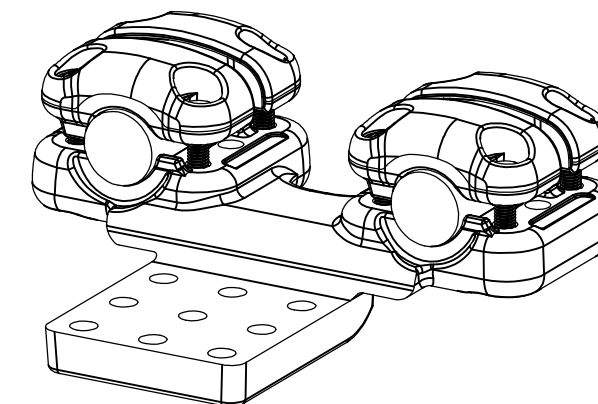
273

125

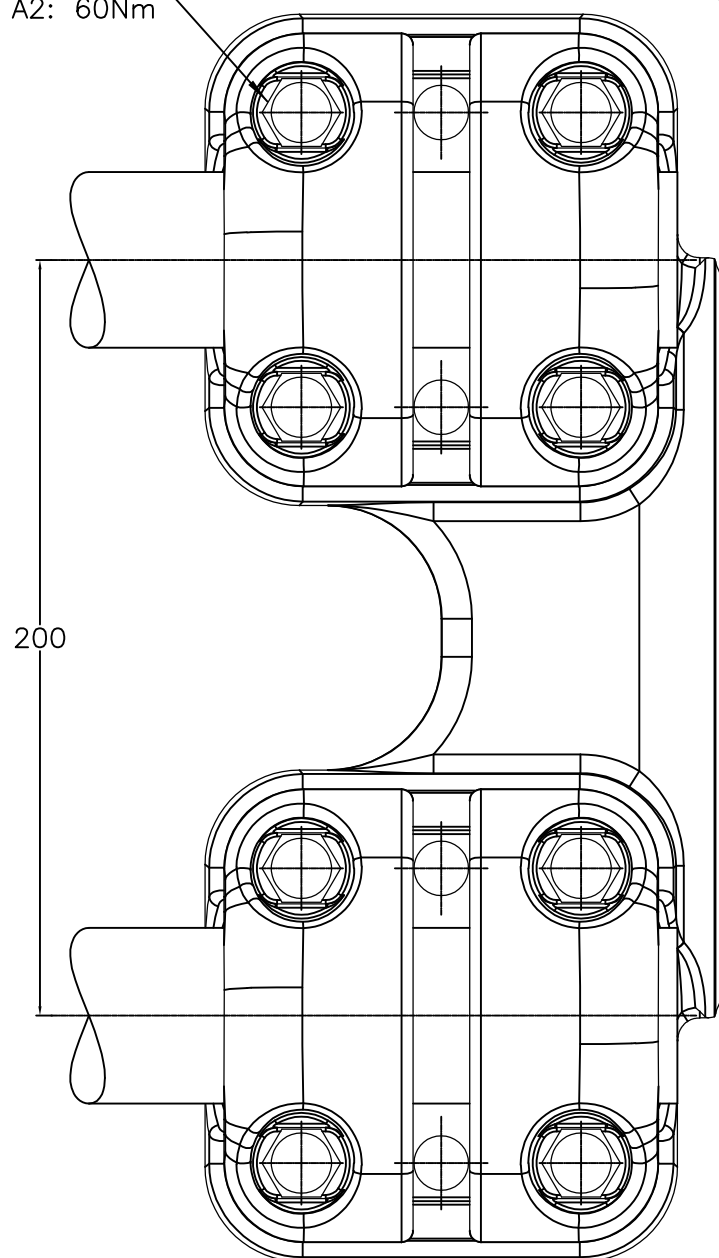
80

25

M12 Bolts stainless steel A2: 60Nm
Boulons M12 acier inoxydable A2: 60Nm



No scale - sans echelle



200

125

45

45

16.5

45

125

45

9 Trous ∅18

THIS DRAWING IS A CONTROLLED DOCUMENT.		DWN	GARNIER P.	10-Fev-17
DIMENSIONS: mm		CHK	-	-
TOLERANCES UNLESS OTHERWISE SPECIFIED:		APVD	-	-
0 PLC	± -	PRODUCT SPEC	NAME	
1 PLC	± -	APPLICATION SPEC	5 PD 82 F L445 E200 125 C175	
2 PLC	± -		SIZE	A3
3 PLC	± -		CAGE CODE	-
4 PLC	± -		DRAWING NO	©=2314421
ANGLES	± -		RESTRICTED TO	-
MATERIAL	-	APPROX.WEIGHT	5 kg	
FINISH	-	CUSTOMER DRAWING	SCALE	1/2
			SHEET	1 OF 1
			REV	A



ITEM:.....