

THIS DRAWING IS UNPUBLISHED.

RELEASED FOR PUBLICATION

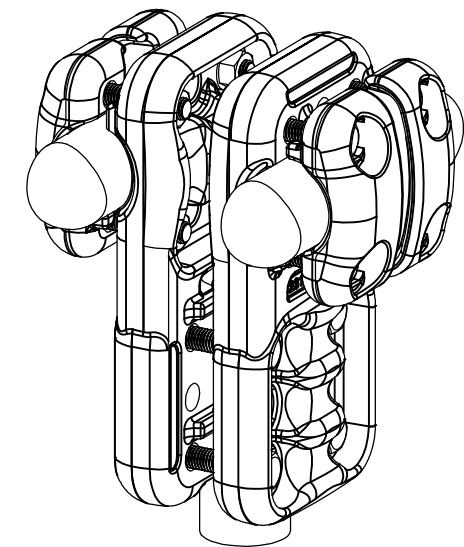
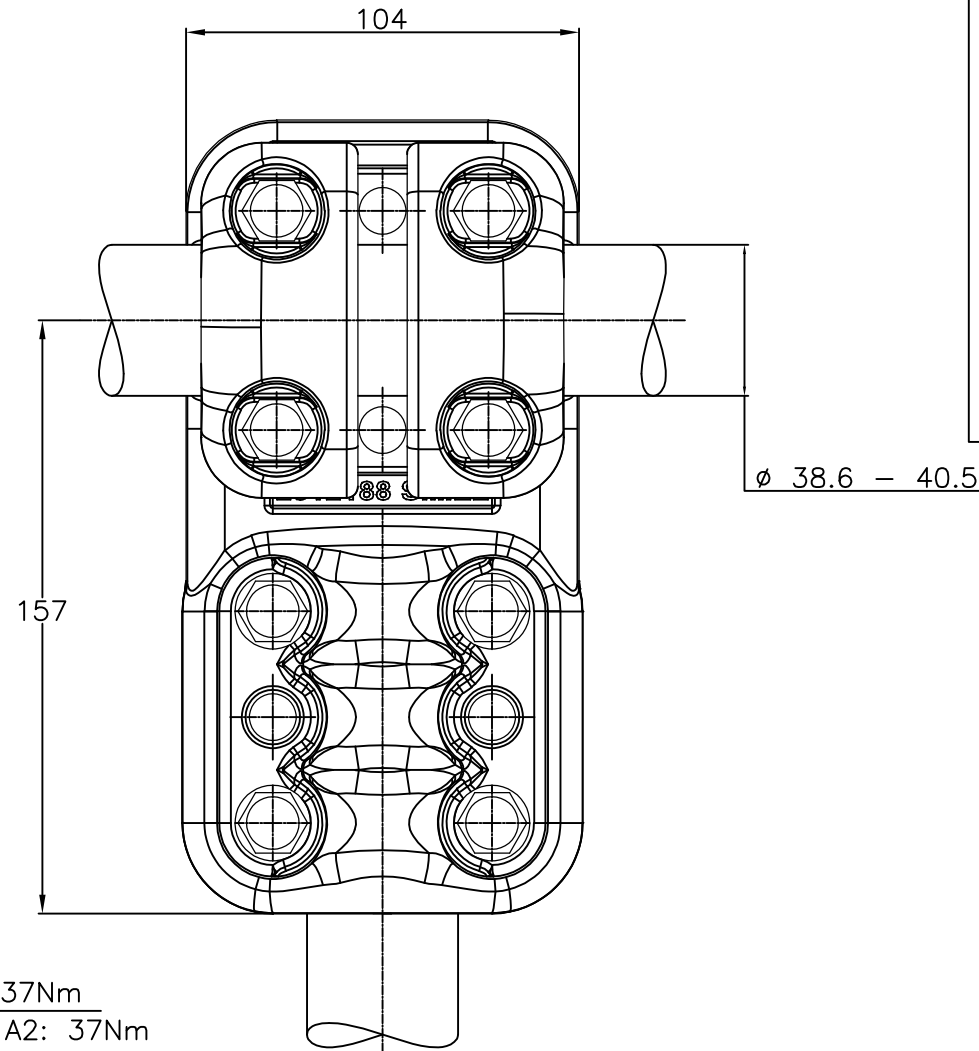
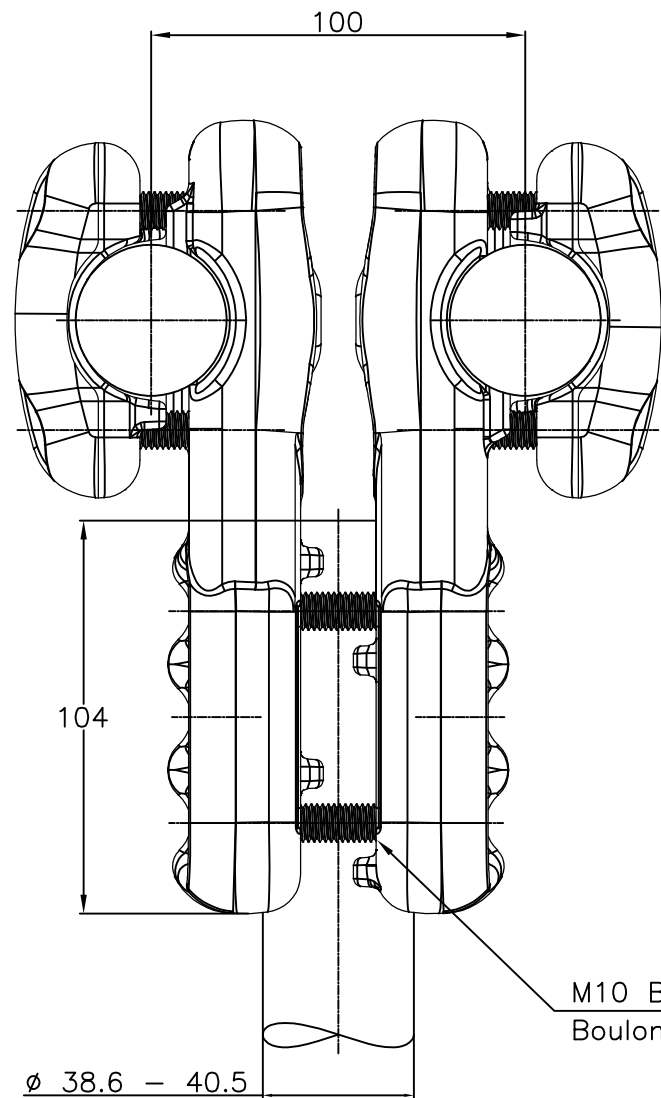
-. - .

REVISIONS

© COPYRIGHT - By -

ALL RIGHTS RESERVED.


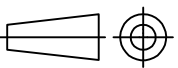
P	LTR	DESCRIPTION	DATE	DWN	APVD
	A	CREATION	10-Jan-17	PG	-



No scale - sans echelle

M10 Bolts stainless steel A2: 37Nm
 Boulons M10 acier inoxydable A2: 37Nm

ITEM:.....

THIS DRAWING IS A CONTROLLED DOCUMENT.		DWN GARNIER P.	10-Jan-17	 TE Connectivity	
DIMENSIONS: mm		CHK -	APVD -		
		TOLERANCES UNLESS OTHERWISE SPECIFIED: 0 PLC ± - 1 PLC ± - 2 PLC ± - 3 PLC ± - 4 PLC ± - ANGLES ± -		NAME Tee connector twin to single Connecteur en T faisceau double / simple 5 CT 82 F M405 E100 M405	
MATERIAL -		FINISH -		PRODUCT SPEC 108-69096-001	APPLICATION SPEC -
		APPROX.WEIGHT 3.3 kg		SIZE A3	CAGE CODE 00779
		CUSTOMER DRAWING		DRAWING NO C=2314401	RESTRICTED TO -
		SCALE 1/2		SHEET 1 OF 1	REV A