

THIS DRAWING IS UNPUBLISHED.

RELEASED FOR PUBLICATION

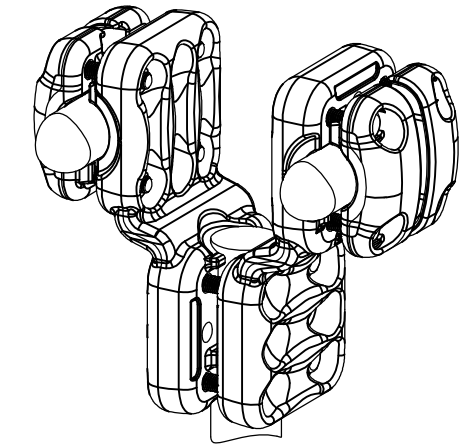
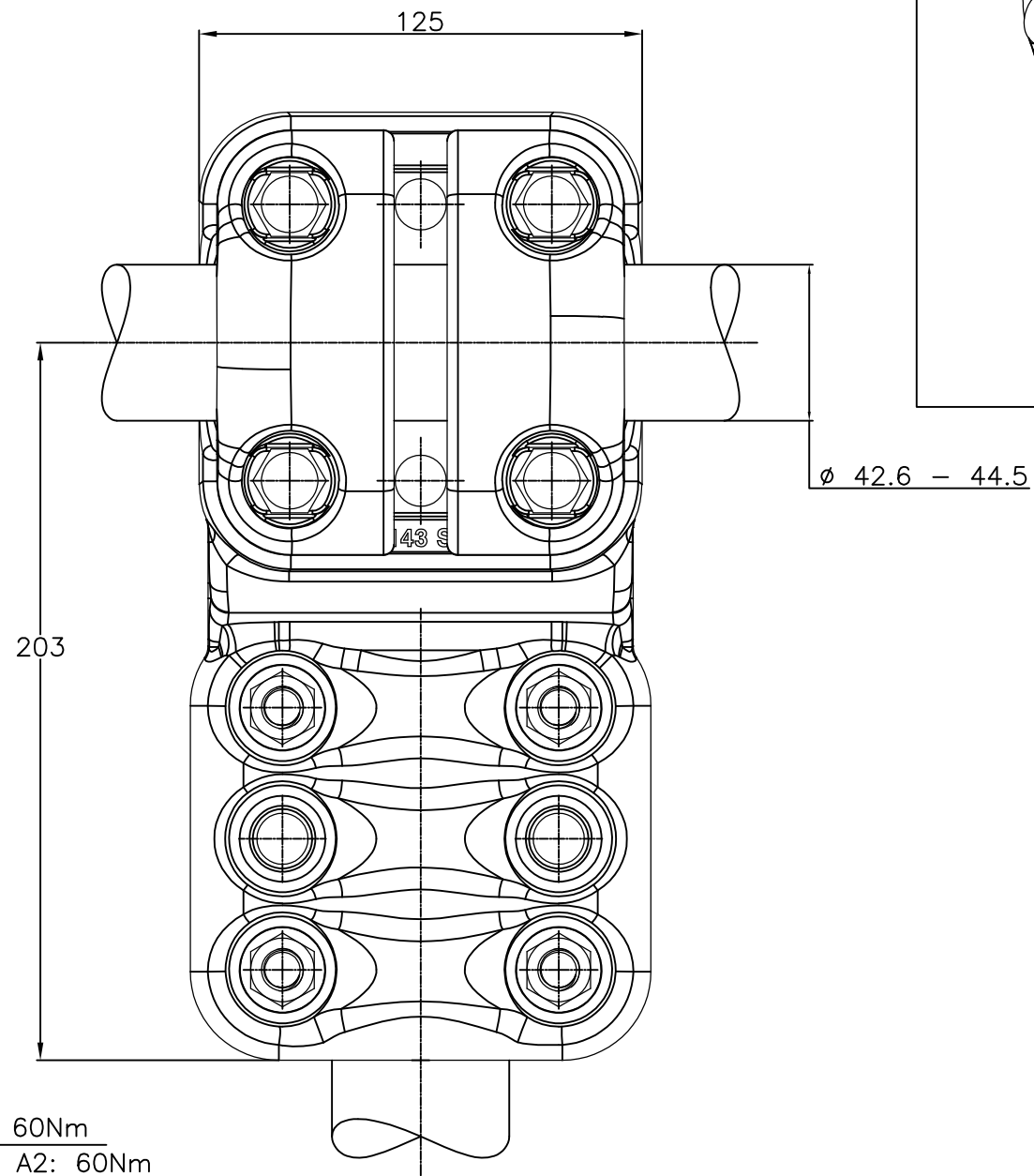
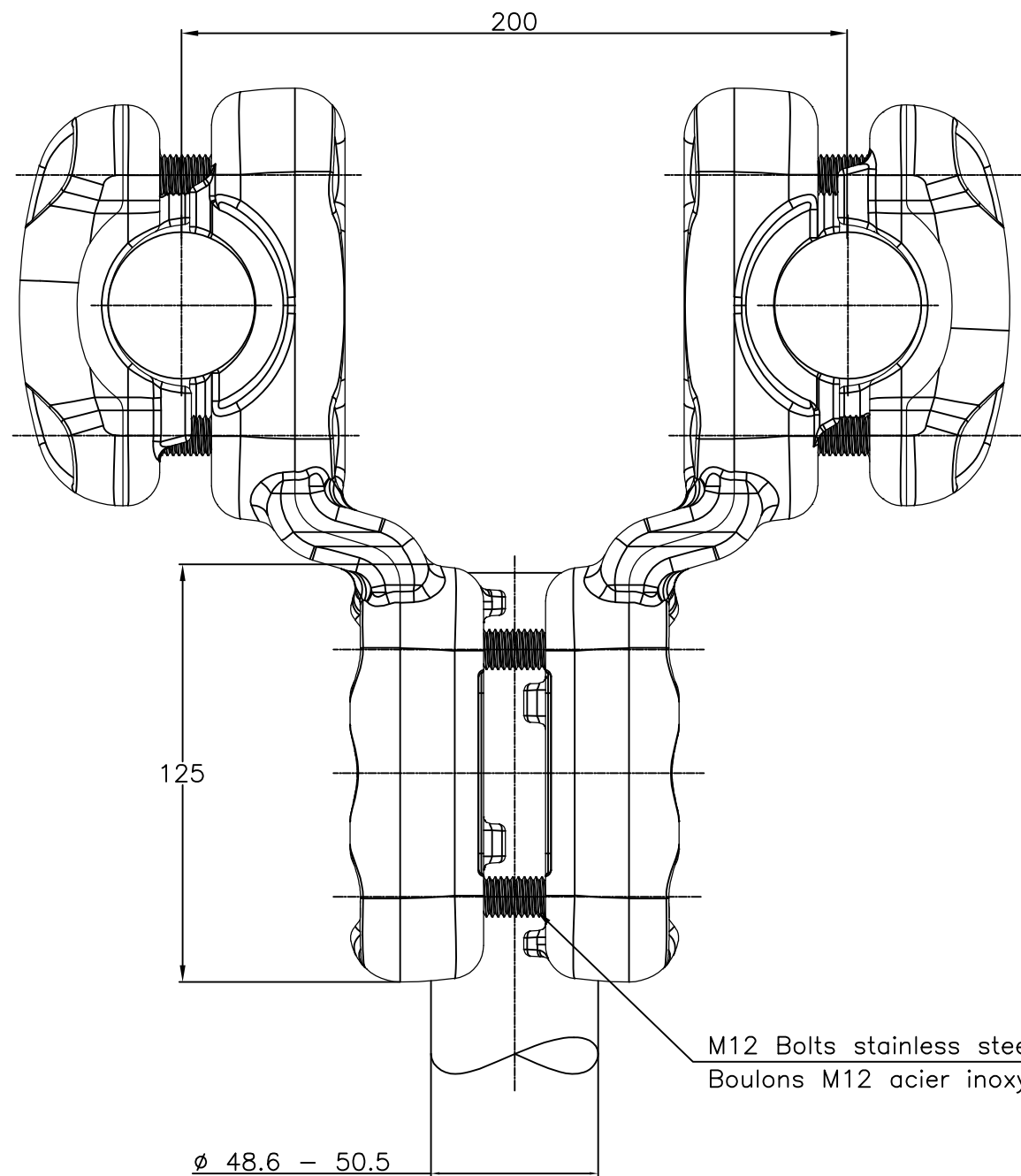
-. - .

REVISIONS

© COPYRIGHT - By -

ALL RIGHTS RESERVED.

P	LTR	DESCRIPTION	DATE	DWN	APVD
	A	CREATION	17-Feb-17	TC	-



No scale - sans echelle

M12 Bolts stainless steel A2: 60Nm  
 Boulons M12 acier inoxydable A2: 60Nm

ITEM:.....

THIS DRAWING IS A CONTROLLED DOCUMENT.		DWN	17-FEB-17	<b>STE</b> TE Connectivity	
		CHK	-		
DIMENSIONS: mm		TOLERANCES UNLESS OTHERWISE SPECIFIED:		NAME	
		0 PLC ± -		Te connector twin to single	
		1 PLC ± -		Connecteur en T faisceau double / simple	
		2 PLC ± -		5 CT 82 F L445 E200 L505	
		3 PLC ± -		SIZE	
		4 PLC ± -		CAGE CODE	
		ANGLES ± -		DRAWING NO	
		FINISH		RESTRICTED TO	
MATERIAL		APPROX.WEIGHT		A3 00779	
		6.9 kg		C=2314350	
		CUSTOMER DRAWING		SCALE 1/2	
				SHEET 1 OF 1	
				REV A	