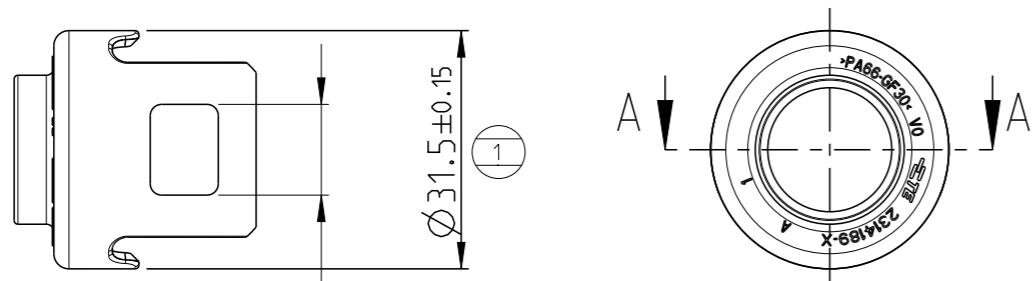


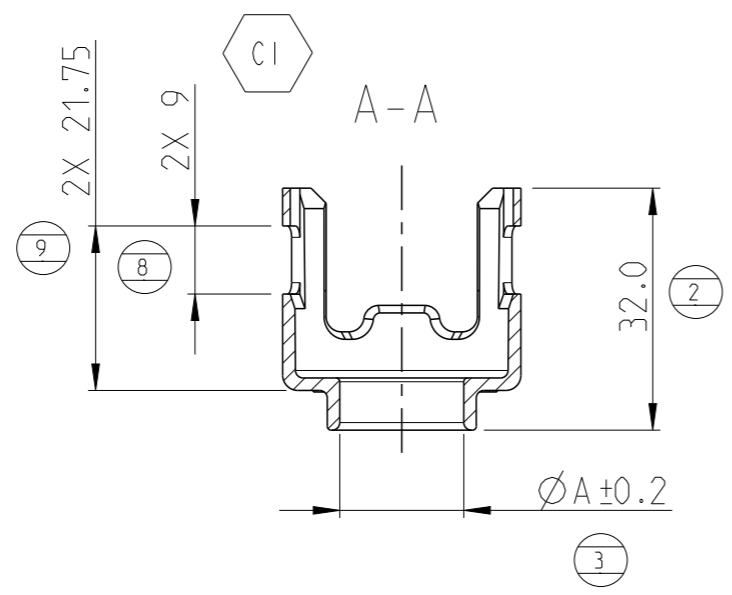
P	LTR	DESCRIPTION	DATE	DWN	APVD
	A	RELEASED	18SEP2017	J.L	I.Y
	B	REVISED ECO-18-003979	22MAR2018	F.S	E.J
	C	ECN-21-121446	12OCT2021	S.X	E.J
	C1	ECN-23-194627	22NOV22	C.X	E.J



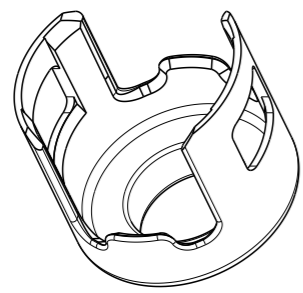
1. 2314189-1/2/3/4 ARE UL94 V0 VERSION; 1-2314189-5 IS UL94 HB VERSION; RELATED HB VERSION PN IS 1-1991225-4/5/6/7 DIFFERENCE IS MATERIAL DEFINITION

LOCAL HB VERSION	LOCAL V0 VERSION	EMEA HB VERSION
/	2314189-1	1-1991225-4
/	2314189-2	1-1991225-5
/	2314189-3	1-1991225-6
/	2314189-4	1-1991225-7
1-2314189-5	/	/

2. SUPPLIED FORM: LOOSE PIECE PACKED INTO CARTON
 3. MAX BURR: 0.38mm; MUST BE FREE OF FLASH, CRACK, FLAW, DISCOLORATION OR OTHER IMPERFECTION WHICH COULD AFFECT ITS FUNCTIONALITY.



2314189-4	ORANGE	PA66-GF V0	15.8-0.6	16.4	ROTECTIVE COVER IPT 50mm sq.
2314189-3	ORANGE	PA66-GF V0	14.4-0.6	15.0	ROTECTIVE COVER IPT 35mm sq.
2314189-2	ORANGE	PA66-GF V0	12.2-0.6	12.8	ROTECTIVE COVER IPT 25mm sq.
2314189-1	ORANGE	PA66-GF V0	10.2-0.6	10.8	PROTECTIVE COVER IPT 16mm sq.
PART NO	COLOUR	MATERIAL	FOR WIRE DIAMETER [mm ²]	DIM. A	DESCRIPTION



THIS DRAWING IS A CONTROLLED DOCUMENT.

DWN: J.LI 12OCT2021
 CHK: E. JIANG 28AUG2017
 APVD: I.YIN 18SEP2017

STE TE Connectivity

NAME: PROTECT COVER, IPT 16-50mm²

PRODUCT SPEC
 APPLICATION SPEC

DIMENSIONS: mm

TOLERANCES UNLESS OTHERWISE SPECIFIED:
 0 PLC ±0.5
 1 PLC ±0.1
 2 PLC ±0.01
 3 PLC ±0.001
 4 PLC ±0.0001
 ANGLES ±

MATERIAL: TBD

FINISH: -

WEIGHT: (5.1g)

SIZE: A3 CAGE CODE: 00779 DRAWING NO: C=2314189 RESTRICTED TO: -

CUSTOMER DRAWING SCALE: 1:1 SHEET: 1 OF 2 REV: C1

THIS DRAWING IS UNPUBLISHED.

RELEASED FOR PUBLICATION

20

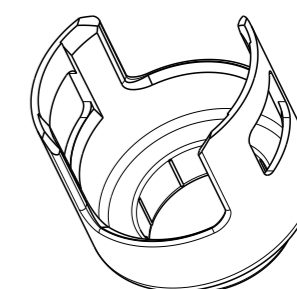
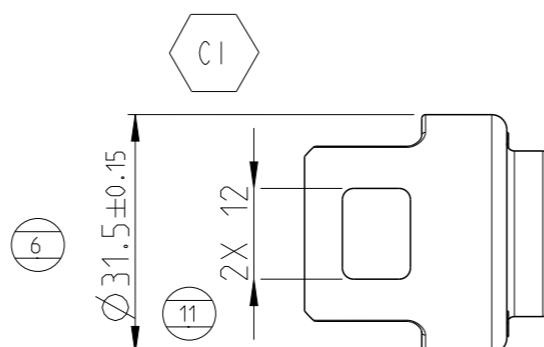
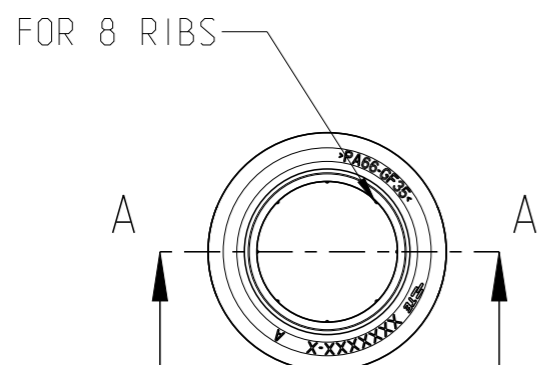
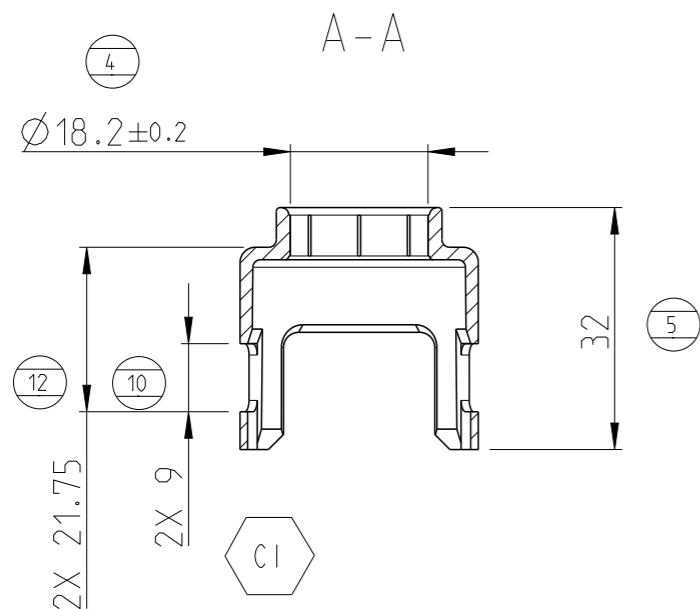
© COPYRIGHT 2021

TE Connectivity. All Rights Reserved.

ALL RIGHTS RESERVED.

REVISIONS

P	LTR	DESCRIPTION	DATE	DWN	APVD
		SEE SHEET 1			



1-2314189-5	ORANGE	PA66-GF HB	18.2-0.8	18.2	ROTECTIVE COVER IPT 70mm sq.
PART NO	COLOUR	MATERIAL	FOR WIRE DIAMETER [mm ²]	DIM. A	DESCRIPTION

THIS DRAWING IS A CONTROLLED DOCUMENT.		DWN J.LI 120CT2021	 TE Connectivity														
DIMENSIONS: mm		CHK E. JIANG 28AUG2017				NAME PROTECT COVER, IPT 16-50mm ²											
TOLERANCES UNLESS OTHERWISE SPECIFIED: ±0.5		APVD L.YIN 18SEP2017	- -														
<table border="1"> <tr><td>0 PLC</td><td>±</td></tr> <tr><td>1 PLC</td><td>±0.1</td></tr> <tr><td>2 PLC</td><td>±0.01</td></tr> <tr><td>3 PLC</td><td>±0.001</td></tr> <tr><td>4 PLC</td><td>±0.0001</td></tr> <tr><td>ANGLES</td><td>±</td></tr> </table>		0 PLC	±	1 PLC	±0.1	2 PLC	±0.01	3 PLC	±0.001	4 PLC	±0.0001	ANGLES	±	PRODUCT SPEC	SIZE A3		
0 PLC	±																
1 PLC	±0.1																
2 PLC	±0.01																
3 PLC	±0.001																
4 PLC	±0.0001																
ANGLES	±																
MATERIAL TBD		APPLICATION SPEC	CAGE CODE 00779	DRAWING NO C-2314189	RESTRICTED TO -												
FINISH -		WEIGHT (5.1g)	SCALE 1:1														
		CUSTOMER DRAWING	SHEET 2 OF 2		REV C1												