

4

3

2

1

THIS DRAWING IS UNPUBLISHED.

RELEASED FOR PUBLICATION

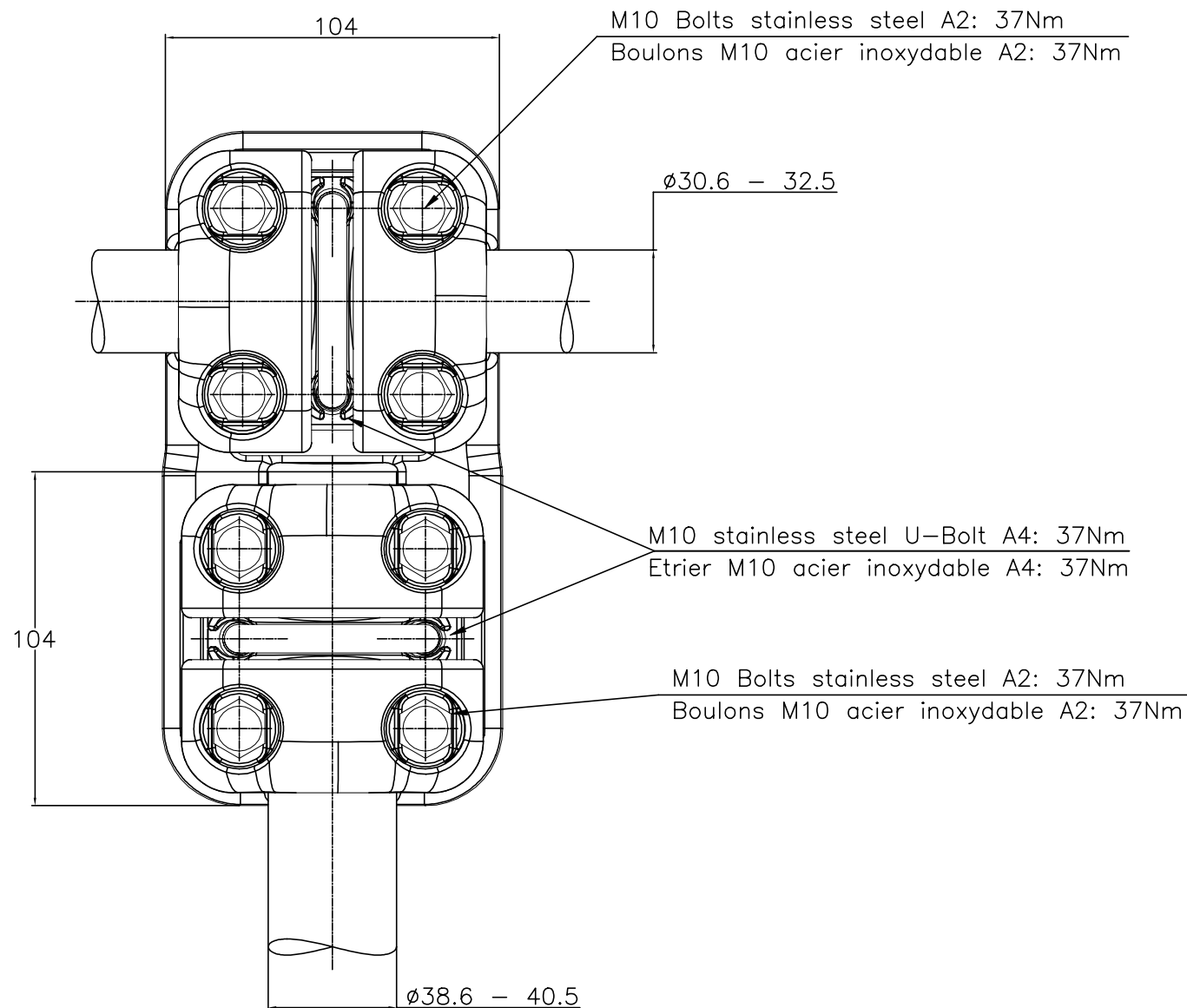
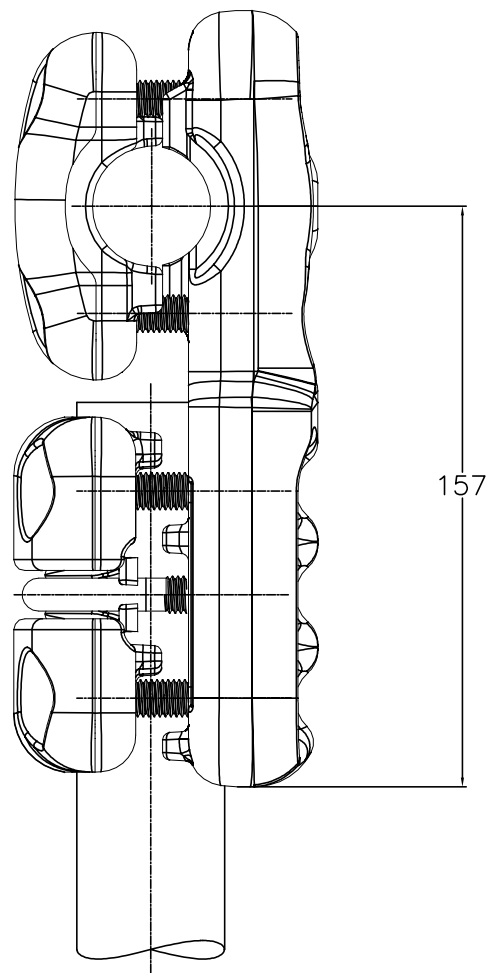
-. - .

REVISIONS

© COPYRIGHT - By -

ALL RIGHTS RESERVED.

P	LTR	DESCRIPTION	DATE	DWN	APVD
	B	DESIGN MODIFICATION	11-Jan-17	PG	-



THIS DRAWING IS A CONTROLLED DOCUMENT.		DWN	GODARD		05-Dec-16
DIMENSIONS:		CHK	-		
mm		APVD	-		
TOLERANCES UNLESS OTHERWISE SPECIFIED:		PRODUCT SPEC	108-69096-001		
0 PLC ± -		APPLICATION SPEC	-		
1 PLC ± -		APPROX.WEIGHT	2.3 kg		A3
2 PLC ± -		CUSTOMER DRAWING	00779		©=2314028
3 PLC ± -		SCALE	1:2		SHEET 1 of 1
4 PLC ± -		RESTRICTED TO	-		
ANGLES ± -		REV	B		
FINISH		-			
MATERIAL		-			

STE TE Connectivity

NAME 5 CT 82 MR325 MR405

ITEM:.....