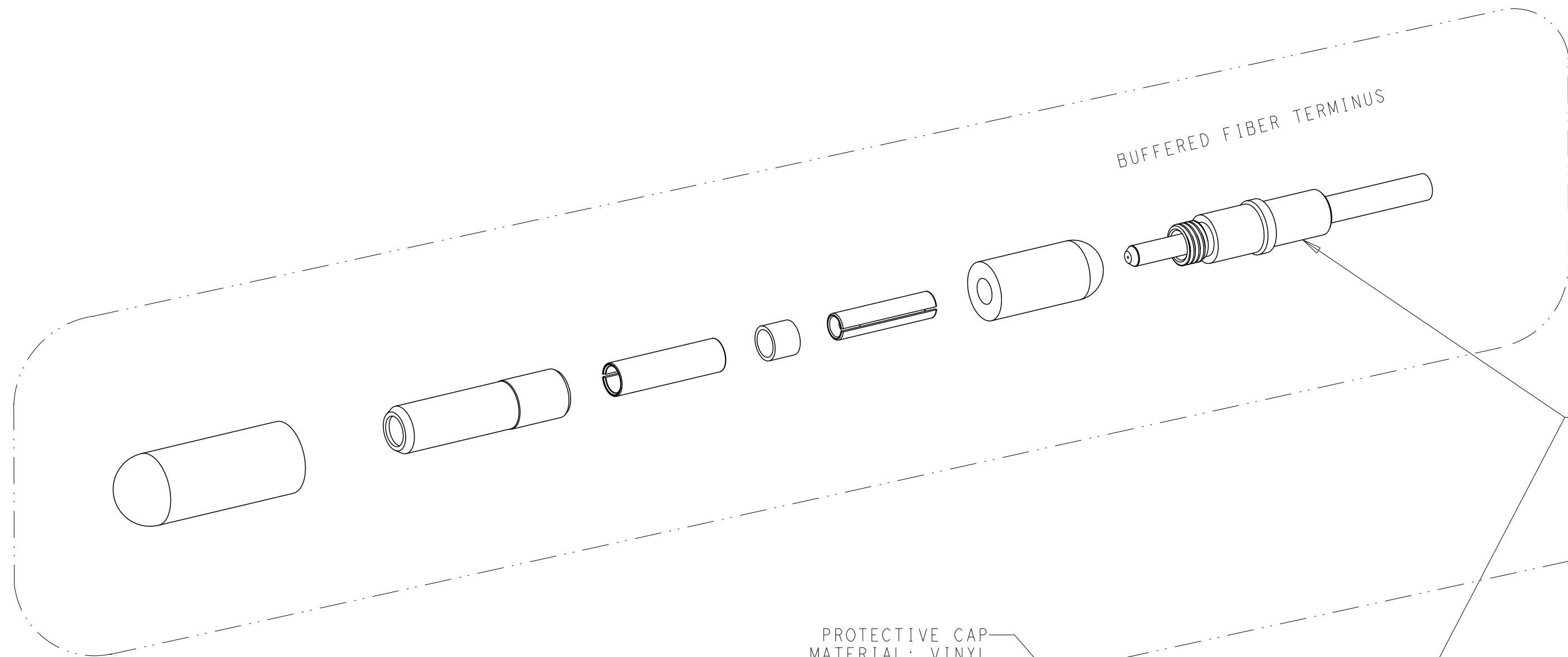
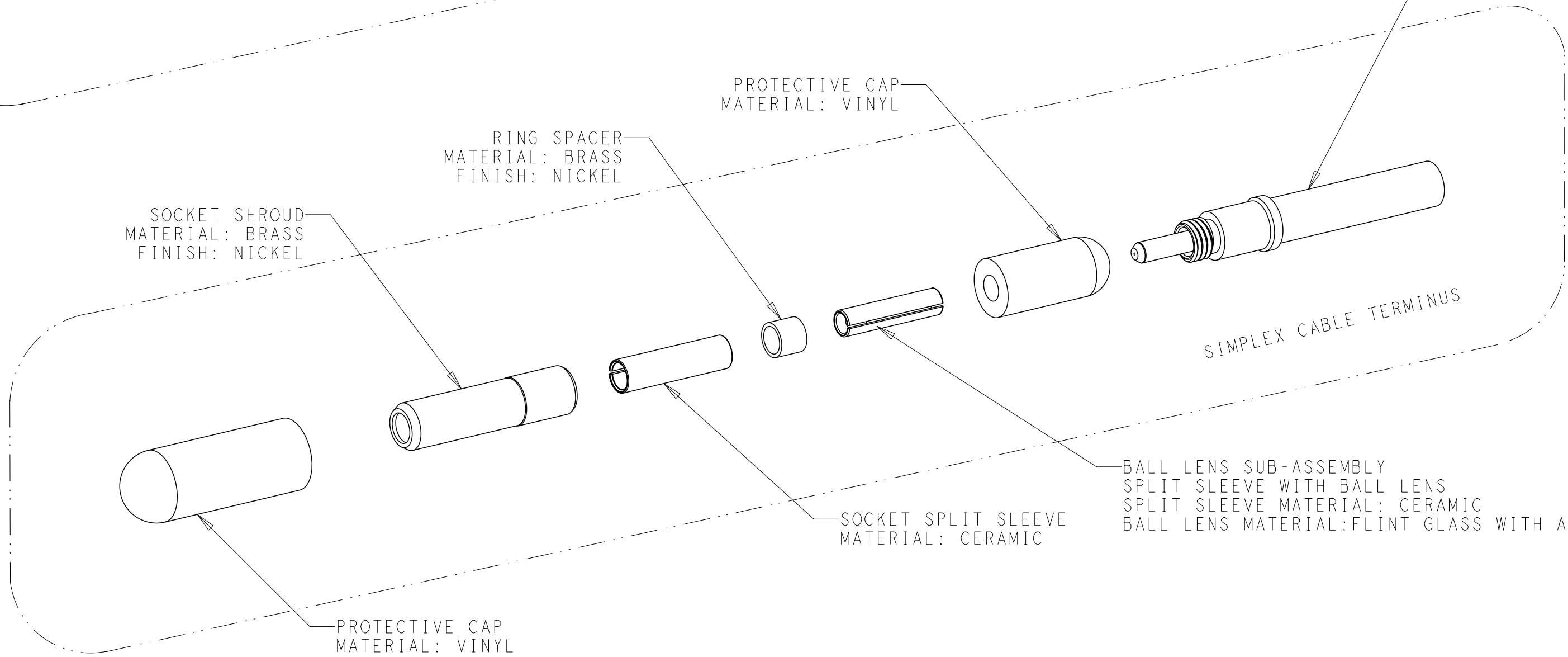


THIS DRAWING IS UNPUBLISHED. RELEASED FOR PUBLICATION 20  
 © COPYRIGHT 20 BY - ALL RIGHTS RESERVED.

| REVISIONS |     |                           |           |     |      |
|-----------|-----|---------------------------|-----------|-----|------|
| P         | LTR | DESCRIPTION               | DATE      | DWN | APVD |
| A         |     | RELEASED                  | 19NOV2019 | DF  | SM   |
| A1        |     | REVISED PER ECO-20-014881 | 22OCT2020 | LN  | DW   |



SOCKET TERMINUS SUB-ASSEMBLY  
 FERRULE WITH BASE  
 BASE MATERIAL: BRASS  
 BASE FINISH: NICKEL  
 SOCKET FERRULE MATERIAL: CERAMIC



BALL LENS SUB-ASSEMBLY  
 SPLIT SLEEVE WITH BALL LENS  
 SPLIT SLEEVE MATERIAL: CERAMIC  
 BALL LENS MATERIAL: FLINT GLASS WITH ANTI-REFLECTION

|                       |                        |             |
|-----------------------|------------------------|-------------|
| 0.9 BUFFERED FIBER    | 126.0                  | 2313256-4   |
| 0.9 BUFFERED FIBER    | 125.5                  | 2313256-3   |
| 1.6-2.1 SIMPLEX CABLE | 126.0                  | 2313256-2   |
| 1.6-2.1 SIMPLEX CABLE | 125.5                  | 2313256-1   |
| CABLE SIZE (mm)       | FERRULE HOLE SIZE (µm) | PART NUMBER |

THIS DRAWING IS A CONTROLLED DOCUMENT. DWN: D. FABIAN 27AUG2018

|                |  |             |              |                 |                     |           |                  |            |               |         |
|----------------|--|-------------|--------------|-----------------|---------------------|-----------|------------------|------------|---------------|---------|
| DIMENSIONS: mm | TOLERANCES UNLESS OTHERWISE SPECIFIED: | CHK: -      | APVD: -      | PRODUCT SPEC: - | APPLICATION SPEC: - | WEIGHT: - | CUSTOMER DRAWING | SCALE: 4:1 | SHEET: 1 OF 1 | REV: A1 |
| 0 PLC ±        | 1 PLC ±                                | 2 PLC ±0.13 | 3 PLC ±0.013 | 4 PLC ±         | ANGLES ±1           | FINISH    |                  |            |               |         |

**STE** TE Connectivity

NAME: KIT, SOCKET TERMINUS SIZE 16, EB, SM

SIZE: A2 CAGE CODE: 00779 DRAWING NO: C-2313256