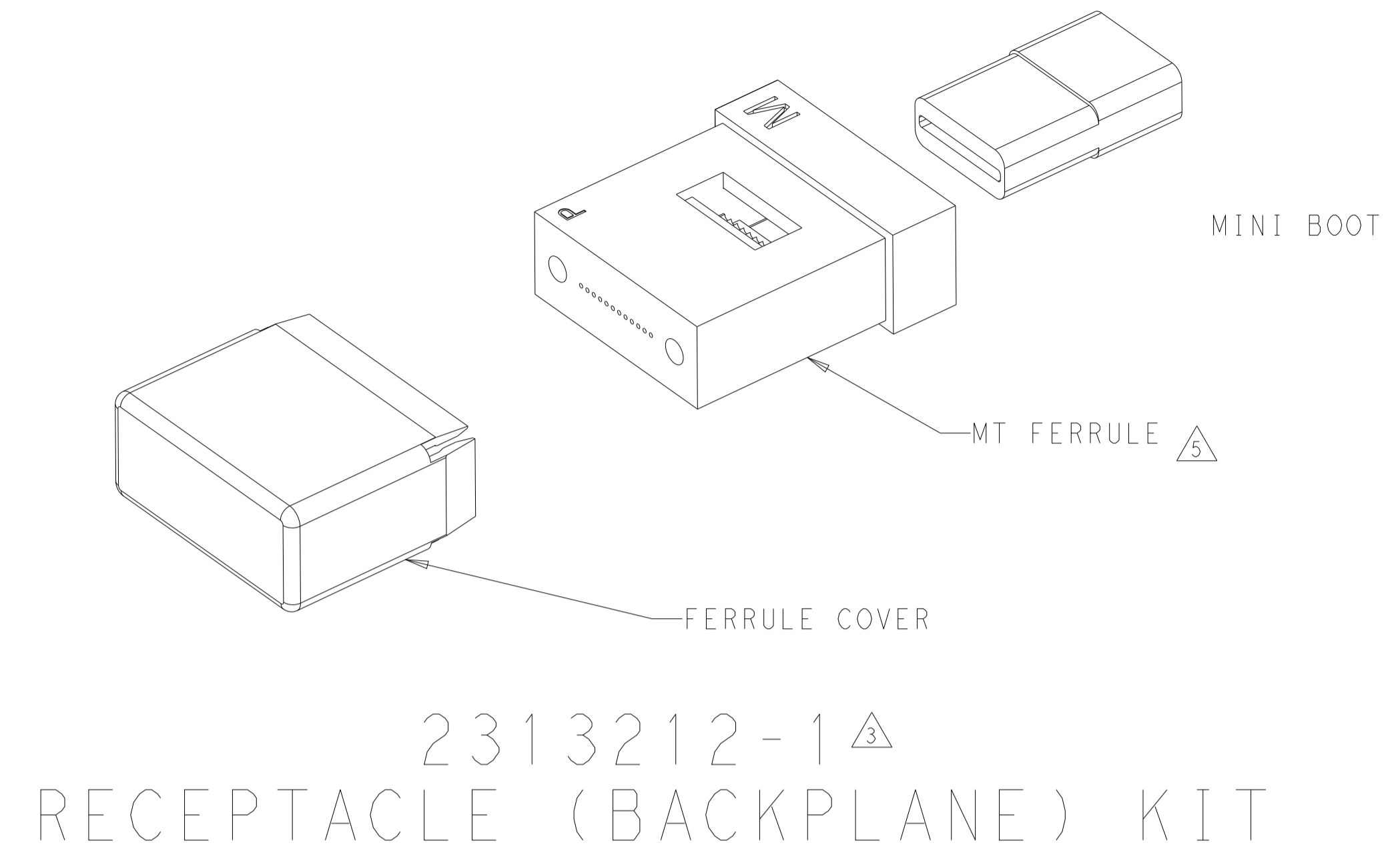


LOC		DIST		REVISIONS			
P	LTN	DESCRIPTION	DATE	DWN	APVD		
A		RELEASED PER ECO-18-017448	04DEC2018	-	-		
A1		ECN-22-168414	05AUG2022	CG	JM		



<sup>△1</sup> MATERIAL:  
 MT FERRULE: PPS THERMOPLASTIC, PER ASTM D4067  
 MINI BOOT: VULCANIZED THERMOPLASTIC ELASTOMER  
 FERRULE COVER: ABS THERMOPLASTIC PER ASTM D4673  
 SPRING: 300 SERIES STAINLESS STEEL WIRE, PER ASTM A313  
 PIN HOLDER: 300 SERIES STAINLESS STEEL, PER ASTM A666  
 PINS: 400 SERIES STAINLESS STEEL, PER ASTM A276

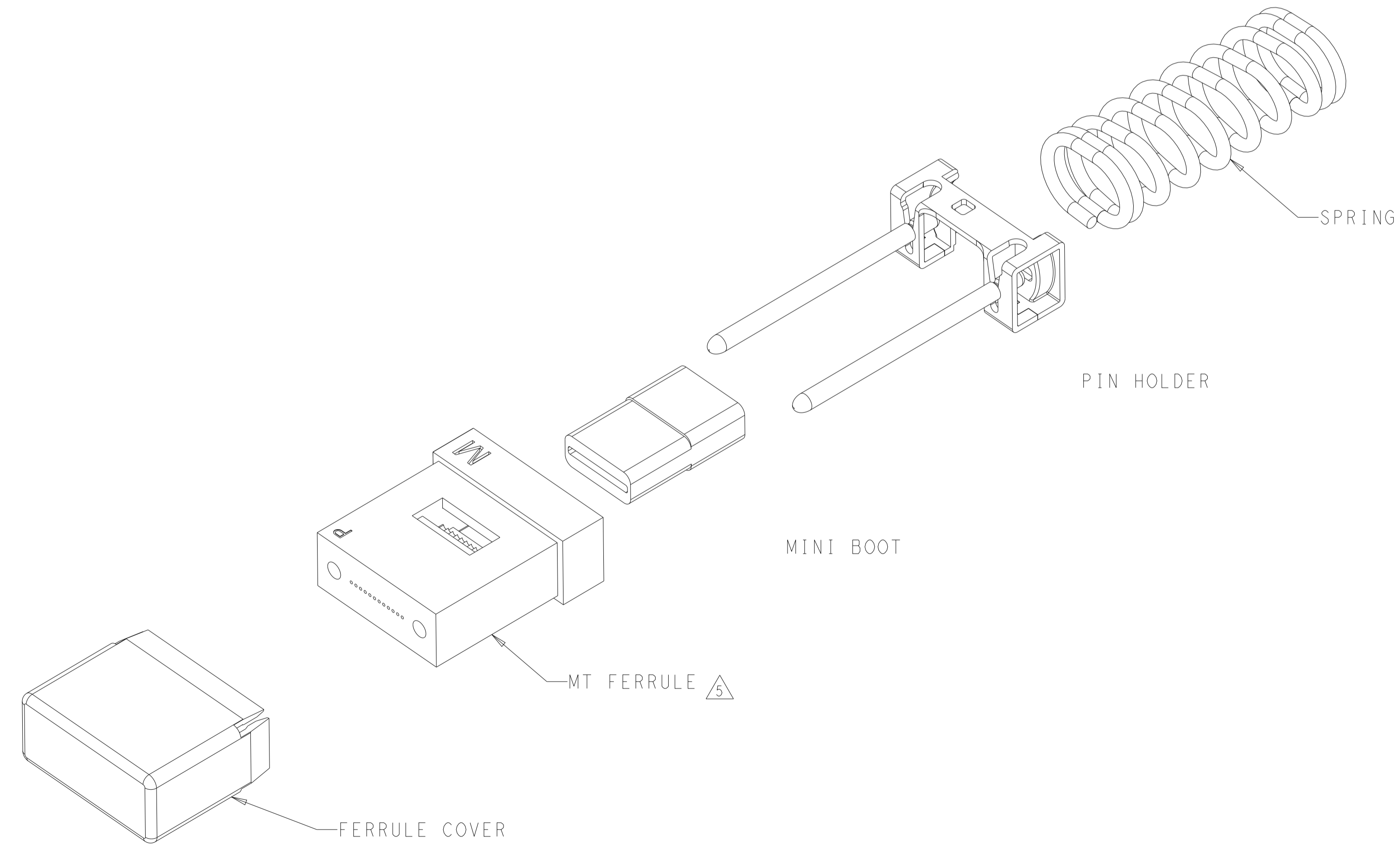
<sup>△2</sup> FINISH:  
 SPRING: PASSIVATED

<sup>△3</sup> UNASSEMBLED KIT CONTAINING THE MT FERRULE, MINI-BOOT AND FERRULE COVER  
 USED WITH RECEPTACLE (BACKPLANE) CONNECTOR KITS:  
 VITA 66.1: 2000973-1  
 VITA 66.4: 2226880-1

<sup>△4</sup> UNASSEMBLED KIT CONTAINING THE MT FERRULE, MINI BOOT, PIN HOLDER, SPRING AND FERRULE COVER  
 USED WITH PLUG (MODULE) CONNECTOR KITS:  
 VITA 66.1: 2000974-1  
 VITA 66.4: 2226881-1

<sup>△5</sup> MT FERRULE TYPE: MULTI-MODE, 50/125,12-FIBER, LOW-LOSS GRADE

<sup>△6</sup> WEIGHT CALCULATIONS FOR REFERENCE ONLY.



1.320	UNASSEMBLED PLUG KIT <sup>△4</sup>	2313212-2
1.100	UNASSEMBLED RECEPTACLE KIT <sup>△3</sup>	2313212-1
KIT WEIGHT (GRAMS) <sup>△6</sup>	KIT CONTENTS	PART NUMBER

THIS DRAWING IS A CONTROLLED DOCUMENT. DWN: D. FABIAN 04DEC2018, CHK: J. MOSIER 04DEC2018, APVD: -

**TE** Connectivity

NAME: MT FERRULE KIT, 12 FIBER, MM 50/125, LOW-LOSS GRADE

PRODUCT SPEC: 108-2247  
 APPLICATION SPEC: 114-32050

SIZE: A1, CAGE CODE: 00779, DRAWING NO: 2313212, RESTRICTED TO: -

MATERIAL: <sup>△1</sup>, FINISH: <sup>△2</sup>, WEIGHT: -, CUSTOMER DRAWING, SCALE: 8:1, SHEET: 1 OF 1, REV: A1