

THIS DRAWING IS UNPUBLISHED.

RELEASED FOR PUBLICATION

REVISIONS

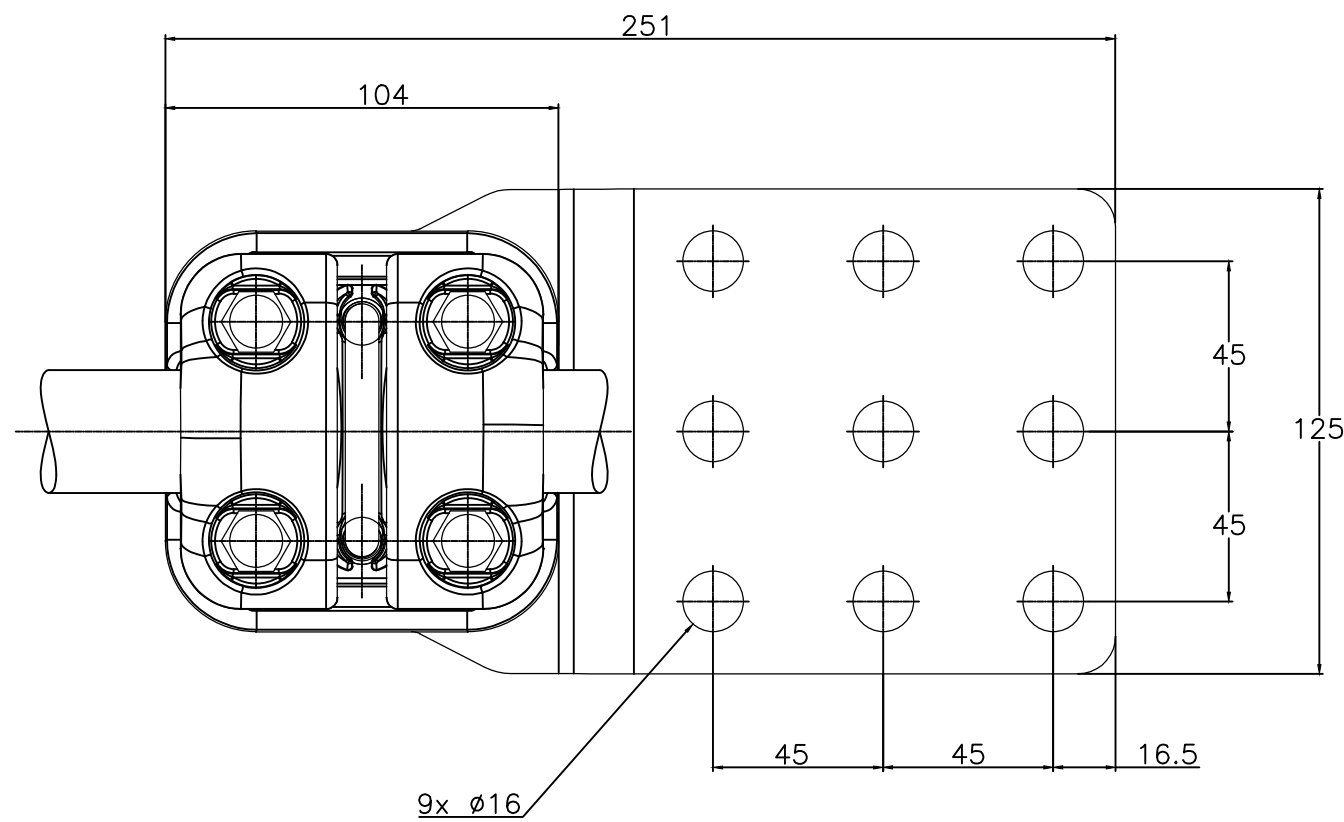
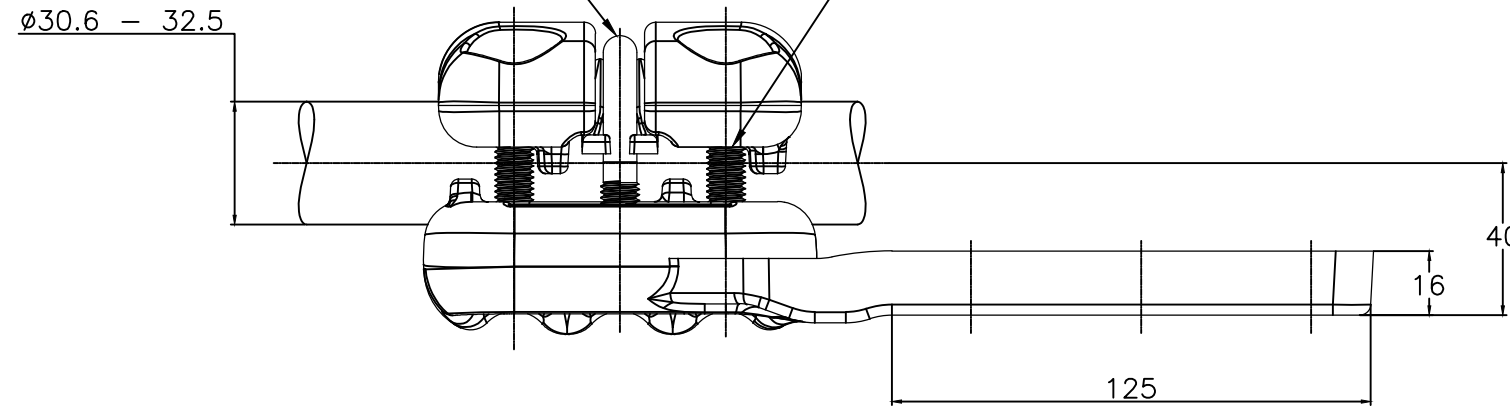
© COPYRIGHT - By -

ALL RIGHTS RESERVED.

P	LTR	DESCRIPTION	DATE	DWN	APVD
	B	DESIGN MODIFICATION	11-Jan-17	PG	-

M10 stainless steel U-Bolt A4: 37Nm  
 Etrier M10 acier inoxydable A4: 37Nm

M10 Bolts stainless steel A2: 37Nm  
 Boulons M10 acier inoxydable A2: 37Nm



ITEM:.....

THIS DRAWING IS A CONTROLLED DOCUMENT.		DWN GODARD	02-Dec-16	<b>STE</b> TE Connectivity	
DIMENSIONS: mm		CHK -	APVD -		
TOLERANCES UNLESS OTHERWISE SPECIFIED:		PRODUCT SPEC 108-69096-001		RESTRICTED TO -	
MATERIAL		APPROX. WEIGHT 1.9 kg		SIZE A3	CAGE CODE 00779
FINISH		CUSTOMER DRAWING		DRAWING NO C=2312961	SCALE 1:2
0 PLC ± - 1 PLC ± - 2 PLC ± - 3 PLC ± - 4 PLC ± - ANGLES ± -		SCALE 1:2		SHEET 1 OF 1	REV B