

THIS DRAWING IS UNPUBLISHED.

RELEASED FOR PUBLICATION

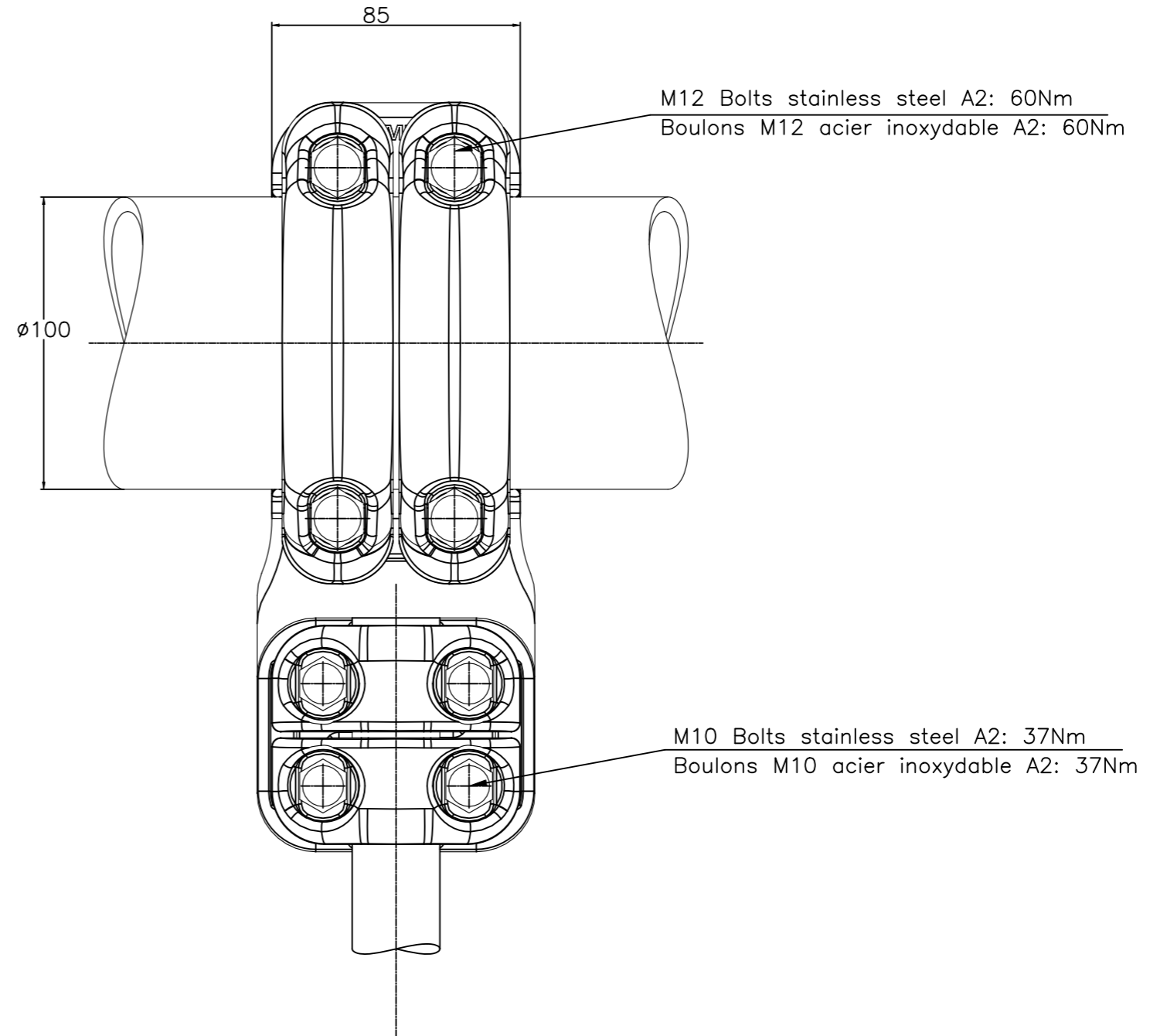
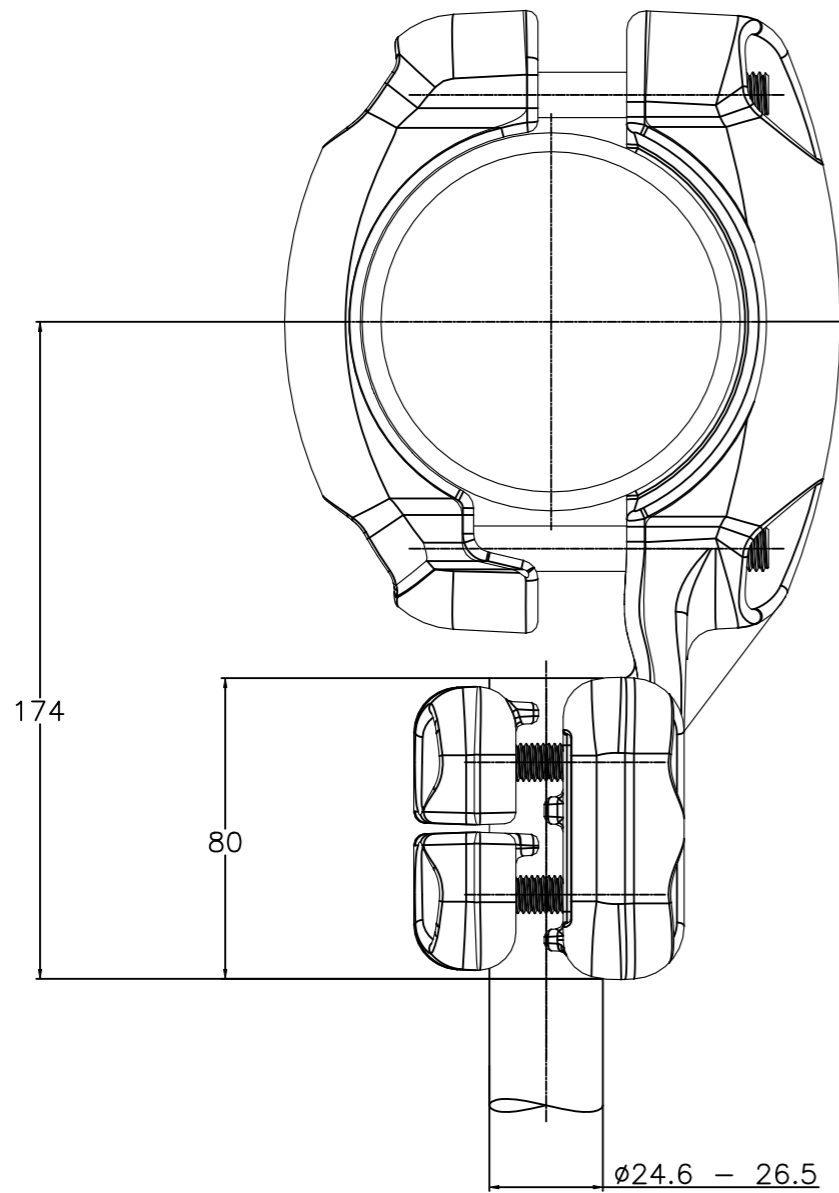
--,--

REVISIONS

© COPYRIGHT - By -

ALL RIGHTS RESERVED.

P	LTR	DESCRIPTION	DATE	DWN	APVD
	A	CREATION	30-Nov-16	GL	-



ITEM:.....

THIS DRAWING IS A CONTROLLED DOCUMENT.		DWN LAFORGE	30-Nov-16	STE TE Connectivity	
DIMENSIONS: mm		CHK -	APVD -		
TOLERANCES UNLESS OTHERWISE SPECIFIED:		PRODUCT SPEC 108-69096-001		5 MT 82 T100 S265	
0 PLC ± -		APPLICATION SPEC -			
1 PLC ± -		APPROX.WEIGHT 2.5 kg		SIZE	RESTRICTED TO
2 PLC ± -		A3 00779		CAGE CODE	-
3 PLC ± -		C=2312901		DRAWING NO	
4 PLC ± -		CUSTOMER DRAWING		SCALE 1:2	SHEET 1 OF 1
ANGLES ± -		SCALE 1:2		REV A	
FINISH -		SCALE 1:2		REV A	