

THIS DRAWING IS UNPUBLISHED.

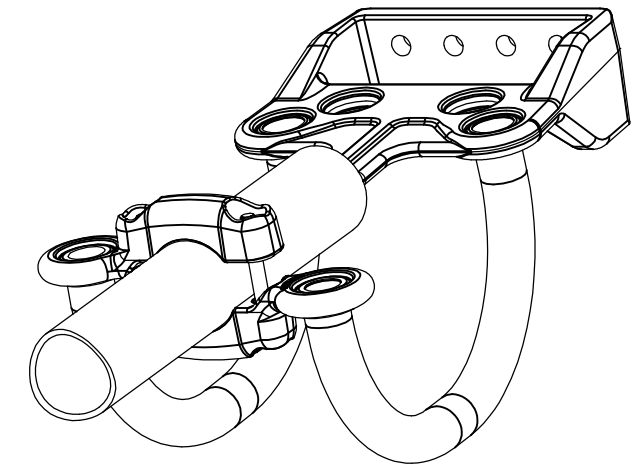
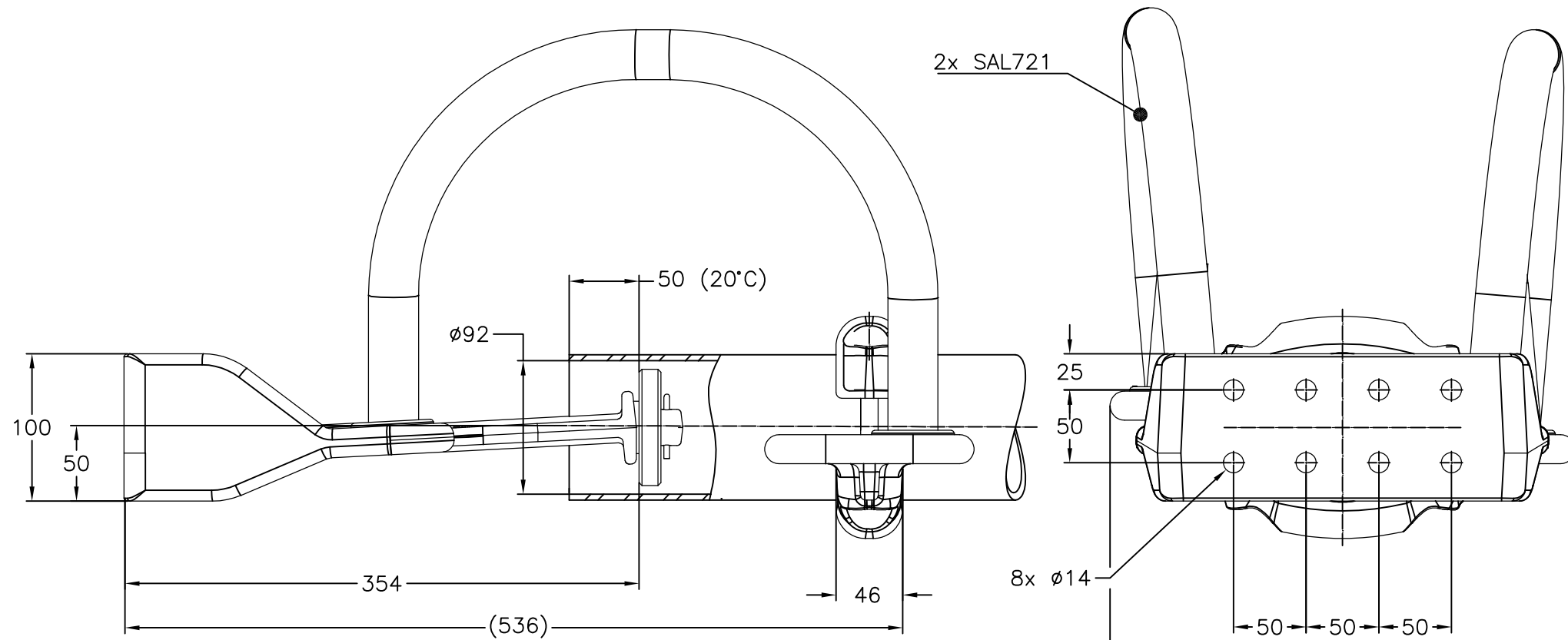
RELEASED FOR PUBLICATION

ALL RIGHTS RESERVED.

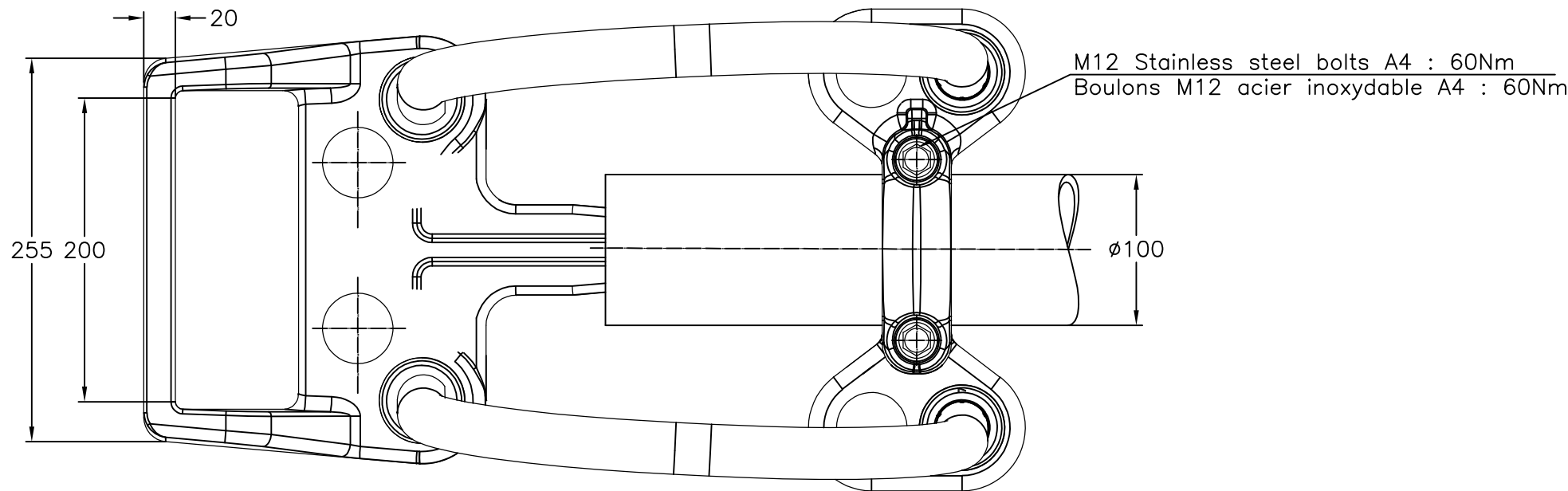
© COPYRIGHT - By -

REVISIONS

P	LTR	DESCRIPTION	DATE	DWN	APVD
	A	CREATION	8-Nov-16	JPM	-



No scale
Sans échelle



THIS DRAWING IS A CONTROLLED DOCUMENT.

DWN MOYEUR 8-Nov-16

CHK -

APVD -

PRODUCT SPEC

108-69094-001

APPLICATION SPEC

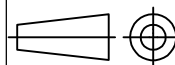
-

APPROX.WEIGHT 10.2 kg

CUSTOMER DRAWING

DIMENSIONS:
mm

TOLERANCES UNLESS OTHERWISE SPECIFIED:



0 PLC	$\pm -$
1 PLC	$\pm -$
2 PLC	$\pm -$
3 PLC	$\pm -$
4 PLC	$\pm -$
ANGLES	$\pm -$
FINISH	-

MATERIAL

-



NAME

BUSBAR CONNECTOR TO AXIAL PAD
RACCORD TUBE SUR PLAGE EQUERRE AXIALE

5 TTPHL 84 T92/100 100X200 R90 27

SIZE CAGE CODE DRAWING NO RESTRICTED TO

A3 00779 C=2311595 -

SCALE 1:4 SHEET 1 OF 1 REV A

ITEM:.....