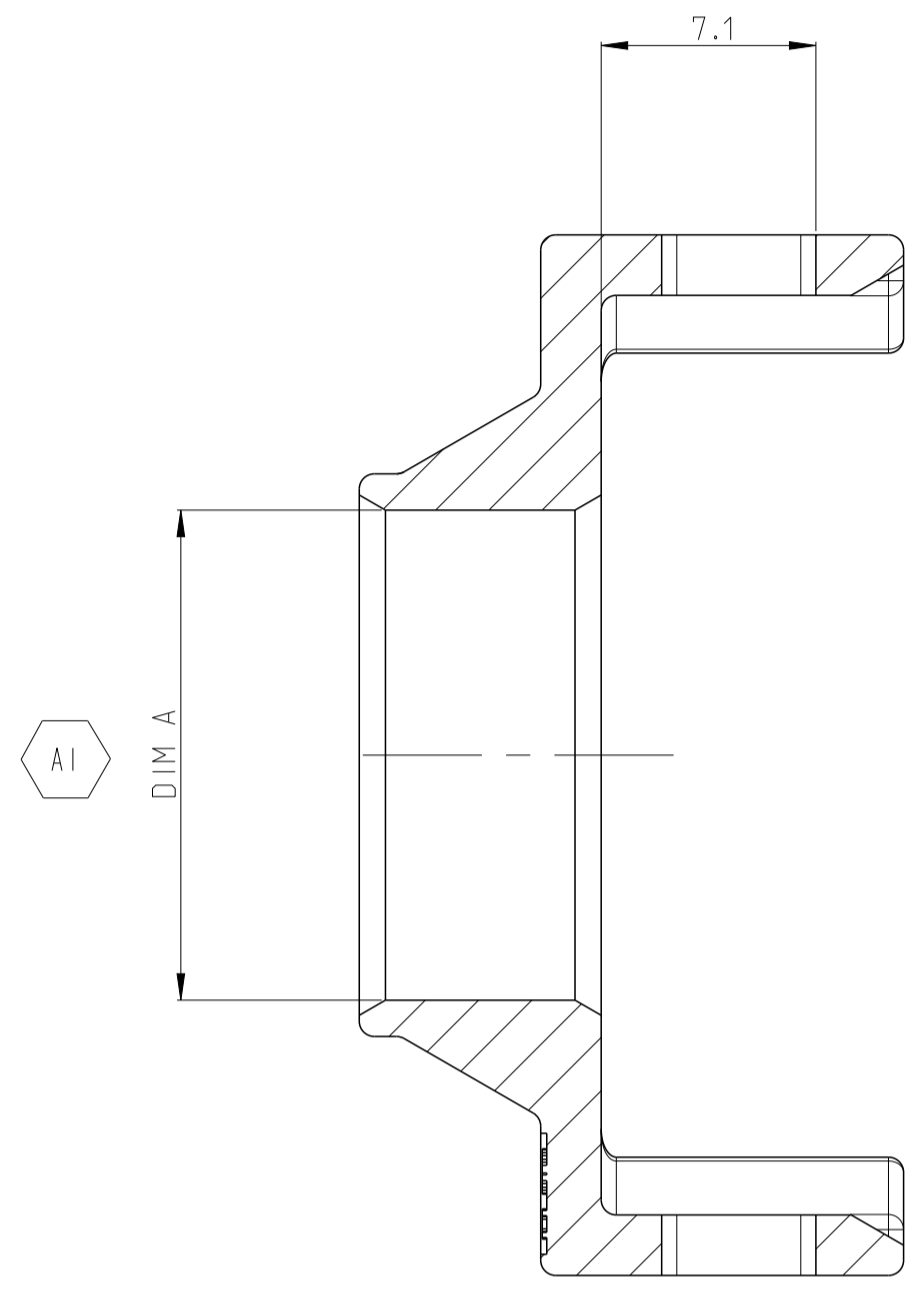
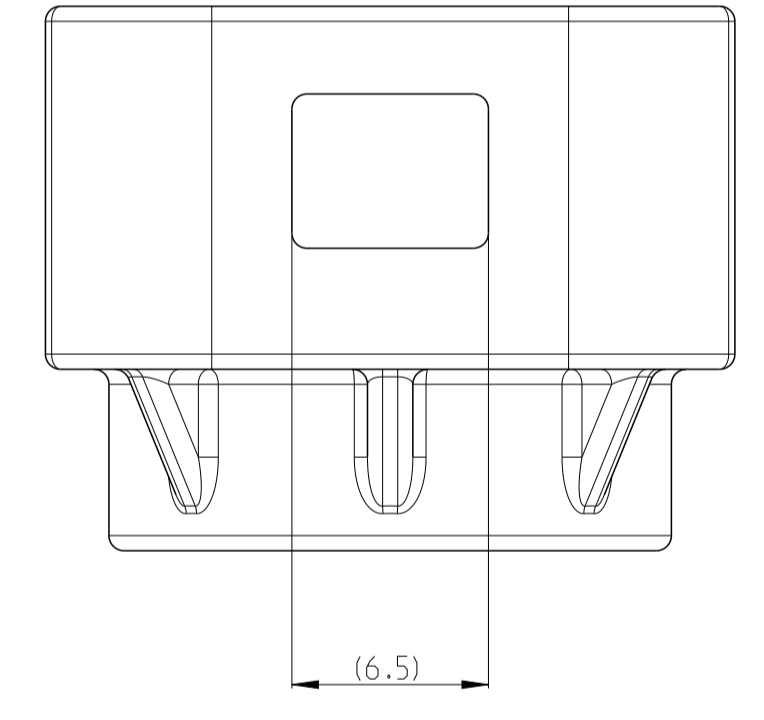
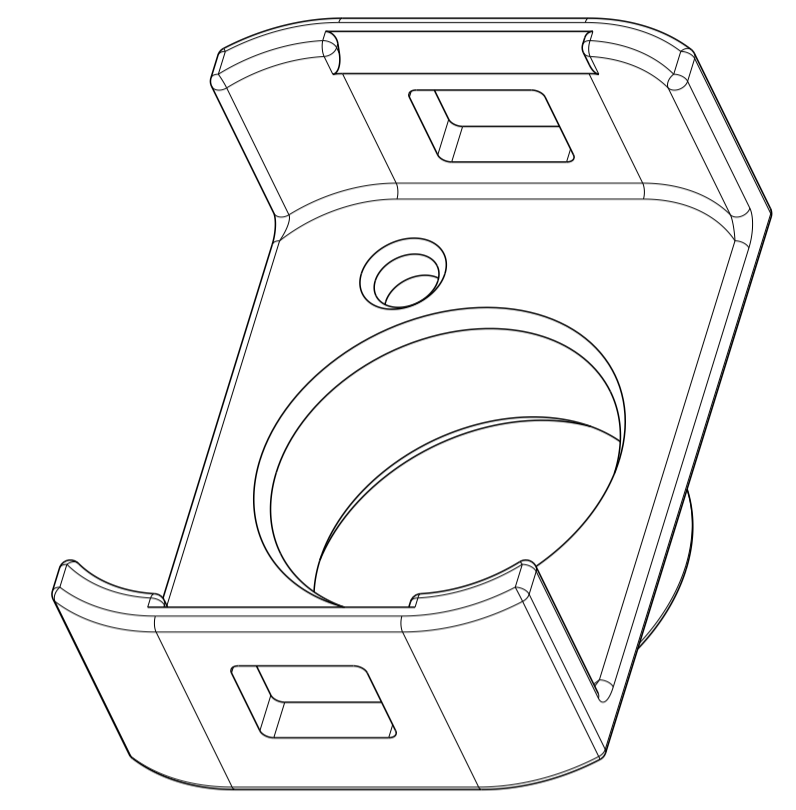
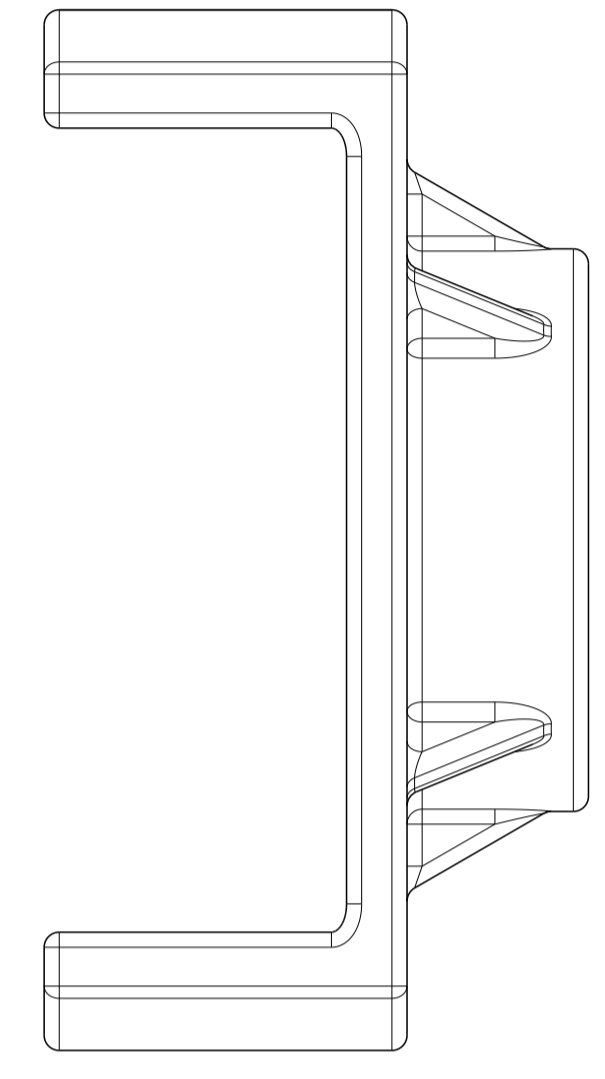
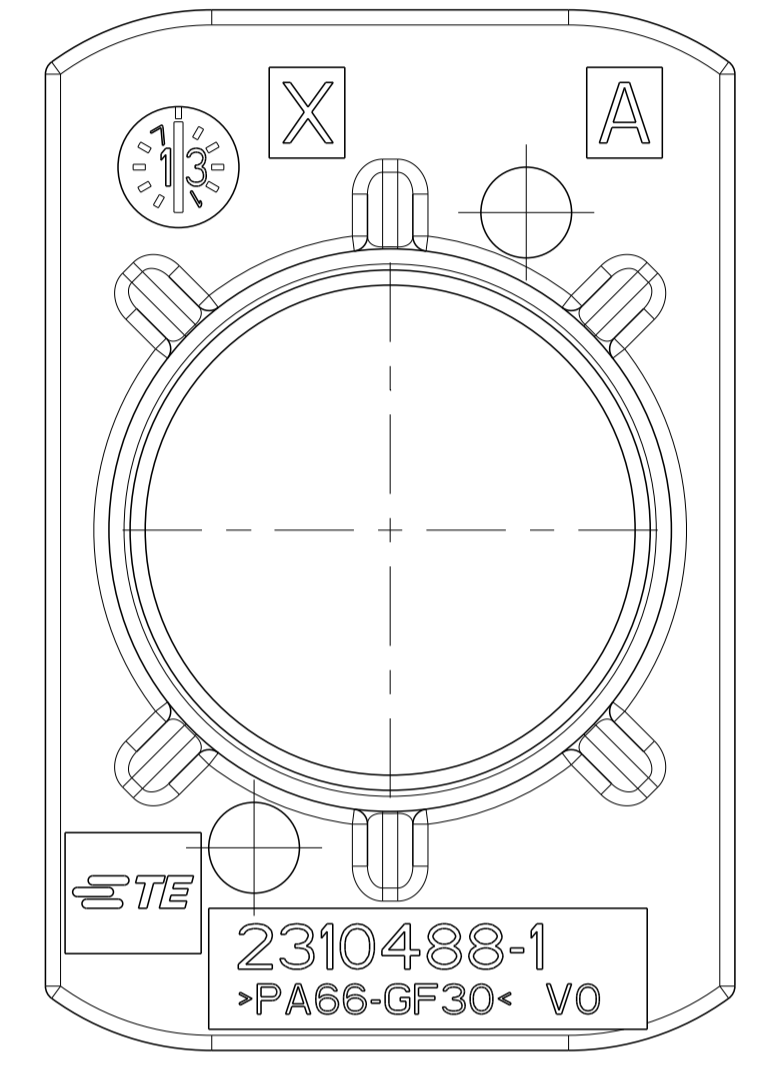


REVISIONS					
P	LTN	DESCRIPTION	DATE	DWN	APVD
A		RELEASED	18SEP17	JL	JY
A1		ECN-22-186507	24NOV22	L.Y	E.J
A2		ECN-23-224805	02AUG2023	L.Y	E.J
A3		ECN-24-284155	11SEP2024	N.L	E.J



A-A



NOTES

- THIS PART IS UL94 V0 VERSION AND RELATED HB VERSION REFER TO TE DRAWING 2141155
- PACKAGING: BULK PACKAGING IN PLASTIC BAG AND CORRUGATED SHIPPING BOX

A3

2310488-1	2310488-2	2310488-3	1-2310488-1	2-2310488-2

PART NO	DIM. A	FOR WIRE SIZE [mm ²]	MATERIAL	DESCRIPTION	WEIGHT (g)	SURFACE COLOR
2-2310488-2	11.4	35 UNSHIELDING	PA66-GF UL94 V0	PROTECTION COVER	(3.7)	ORANGE
1-2310488-1	13.6	50 UNSHIELDING	PA66-GF UL94 V0	PROTECTION COVER	(3.3)	ORANGE
2310488-3	12.6	25	PA66-GF UL94 V0	PROTECTION COVER	(3.3)	ORANGE
2310488-2	14.8	35	PA66-GF UL94 V0	PROTECTION COVER	(3.3)	ORANGE
2310488-1	16.2	50	PA66-GF UL94 V0	PROTECTION COVER	(3.3)	ORANGE

THIS DRAWING IS A CONTROLLED DOCUMENT. DWN: J.LI 12SEP2017
 CHK: E.JIANG 15SEP2017
 APVD: L.YIN 18SEP2017

STE TE Connectivity

NAME: PROTECTION COVER

SIZE: A1 CAGE CODE: 00779 DRAWING NO: 2310488

SCALE: 3:1 SHEET 1 OF 1 REV: A3

MATERIAL: SEE TABLE
 DIMENSIONS: mm
 TOLERANCES UNLESS OTHERWISE SPECIFIED: ±0.3
 0 PLC ±0.3
 1 PLC ±0.3
 2 PLC ±0.3
 3 PLC ±0.3
 4 PLC ±0.3
 ANGLES: °
 FINISH: -

RESTRICTED TO: CUSTOMER DRAWING