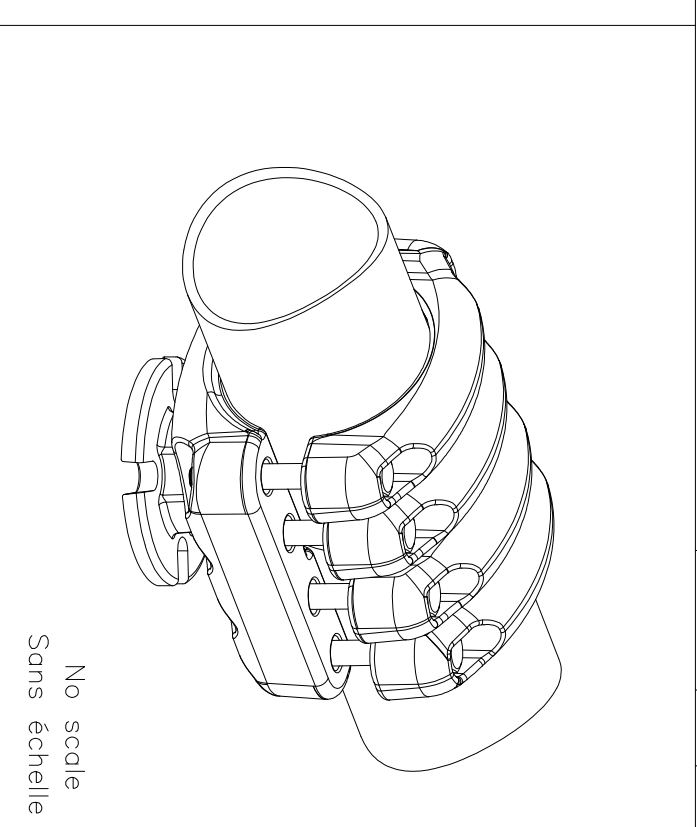
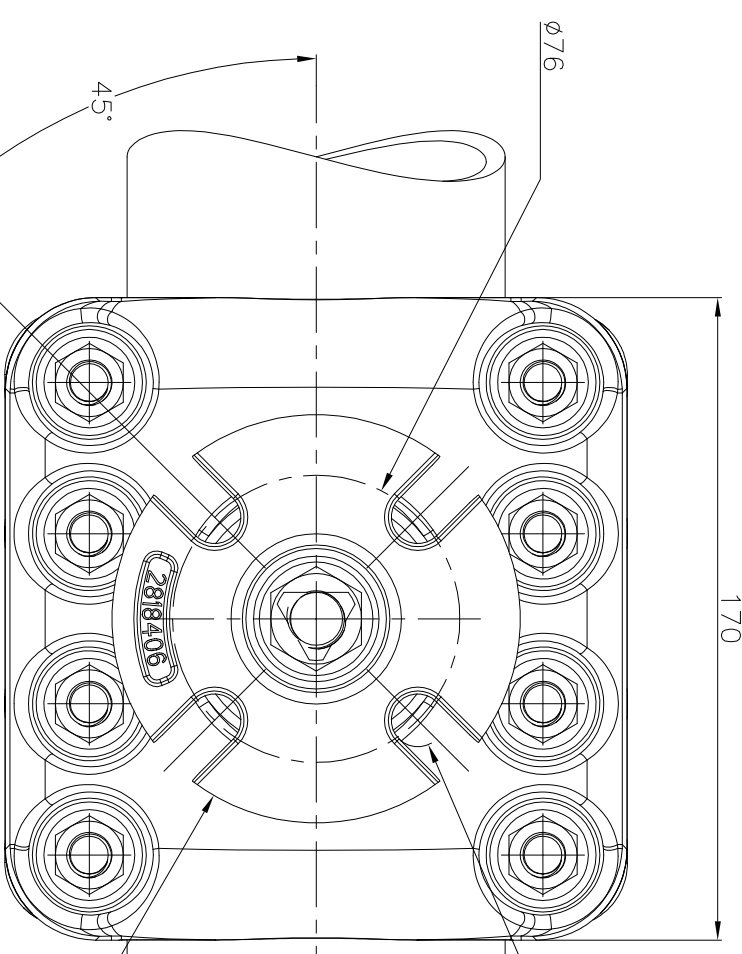
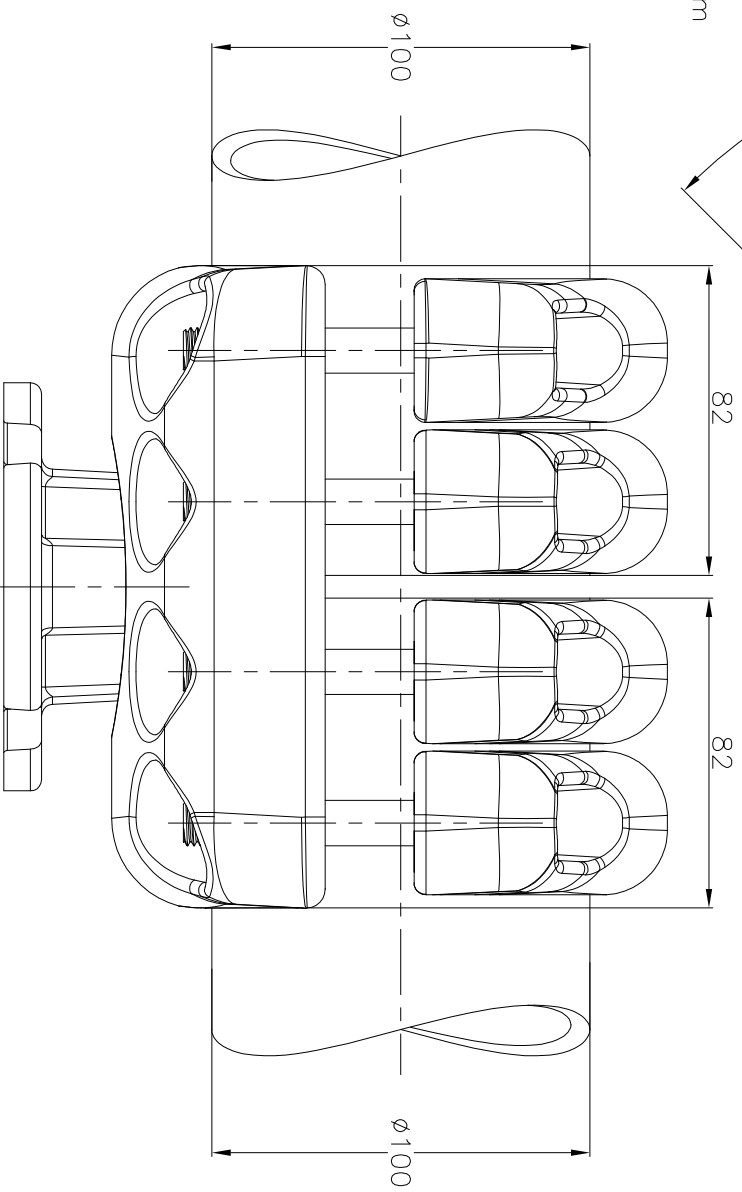
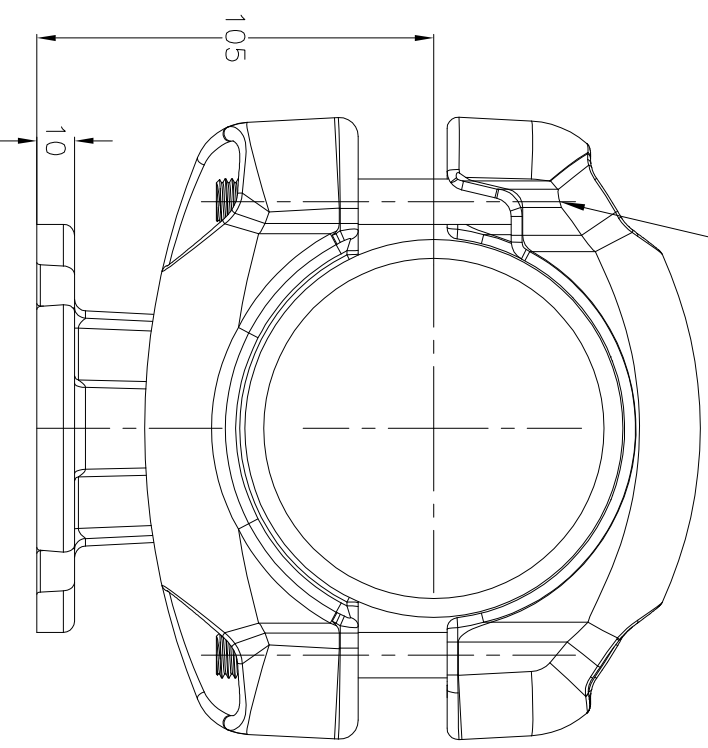


REVISIONS

P	LTR	DESCRIPTION	DATE	DWN	APVD
A		CREATION	04-Oct-16	GL	-



M12 Bolts stainless steel A2: 60Nm  
Boulons M12 acier inoxydable A2: 60Nm



THIS DRAWING IS A CONTROLLED DOCUMENT.

DIMENSIONS:	TOLERANCES UNLESS OTHERWISE SPECIFIED:
mm	

0 PLC	± -
1 PLC	± -
2 PLC	± -
3 PLC	± -
4 PLC	± -
ANGLES	± -

MATERIAL	FINISH
-	-

**STE** TE Connectivity

NAME: BUS JUNCTION SUPPORT ON BPI  
SUPPORT JONCTION POUR TUBE SUR ISO  
5 TJ 82 P3 T100

SIZE: A3  
CAGE CODE: 00779  
DRAWING NO: 2310282

APPROX. WEIGHT: 4.53 kg  
CUSTOMER DRAWING: SCALE 1:2 SHEET 1 OF 1 REV A

ITEM: .....