

THIS DRAWING IS UNPUBLISHED.

RELEASED FOR PUBLICATION  
ALL RIGHTS RESERVED

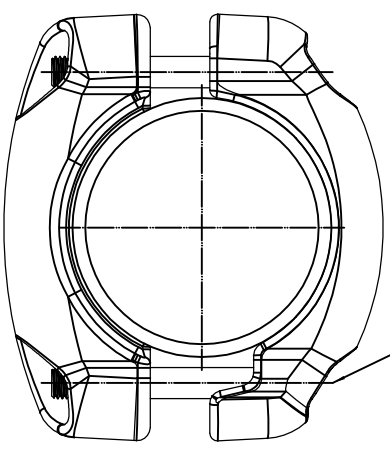
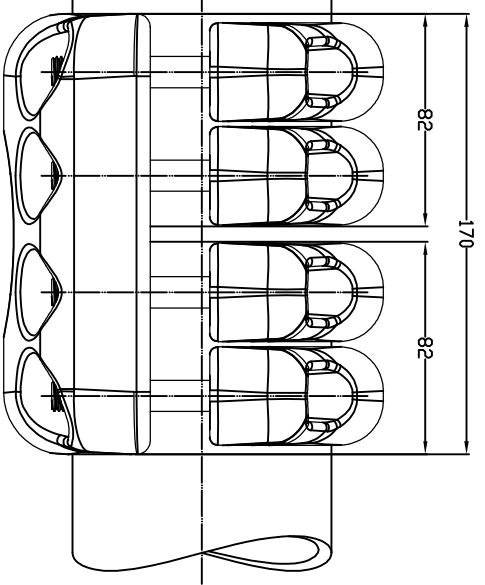
By -

Copyright -

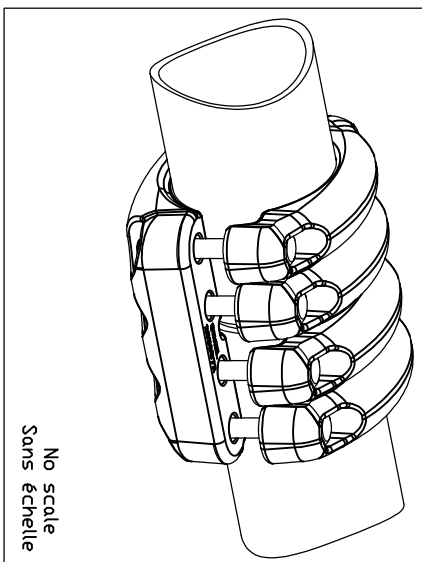
REVISIONS

P	LTR	DESCRIPTION	DATE	DM	APVD
A		CREATION	04-04-16	JPM	-

D

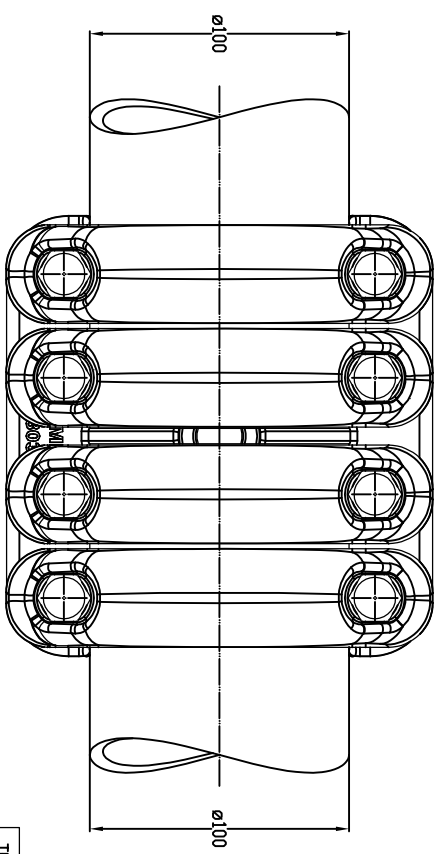


M12 Stainless steel bolts A4 : 60Nm  
Boulons M12 Acier Inoxydable A4 : 60Nm



No scale  
Sans échelle

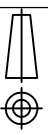
C



A

THIS DRAWING IS A CONTROLLED DOCUMENT.

DIMENSIONS:	TOLERANCES UNLESS OTHERWISE SPECIFIED:
mm	
0 P/C	±
1 P/C	±
2 P/C	±
3 P/C	±
4 P/C	±
ANGLES	±
FINISH	±



MATERIAL

DMN MOYEUX  
CHK -  
04-Oct-16

APVD -  
PRODUCT SPEC  
108-69094-001

APPLICATION SPEC  
APPROX WEIGHT 2.6 kg



TE Connectivity

NAME BUS JUNCTION SUPPORT FORT TUBE Ø100  
SUPPORT JONCTION POUR TUBE Ø100  
SIZE 5 TJ 84 T100

APPROX WEIGHT 2.6 kg  
CAGE CODE DRAWING NO A300779 G-2310088  
RESTRICTED TO

CUSTOMER DRAWING

SCALE 1:2 SHEET 1 of 1 REV A

ITEM: .....