

THIS DRAWING IS UNPUBLISHED.

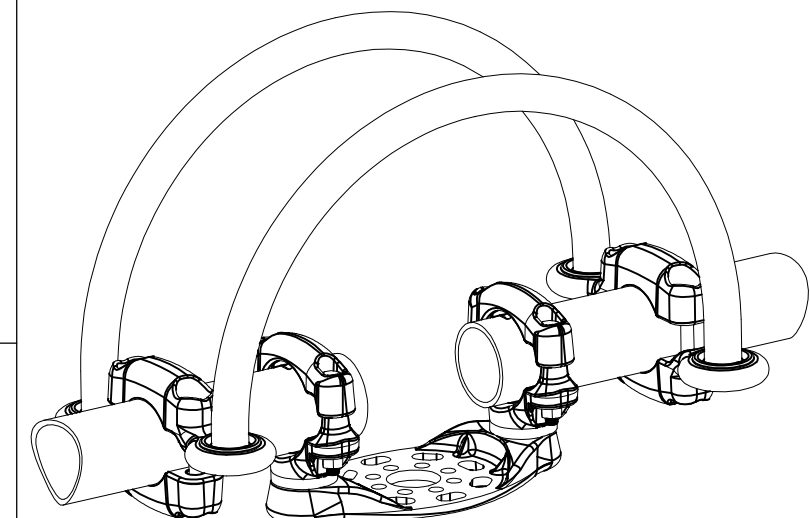
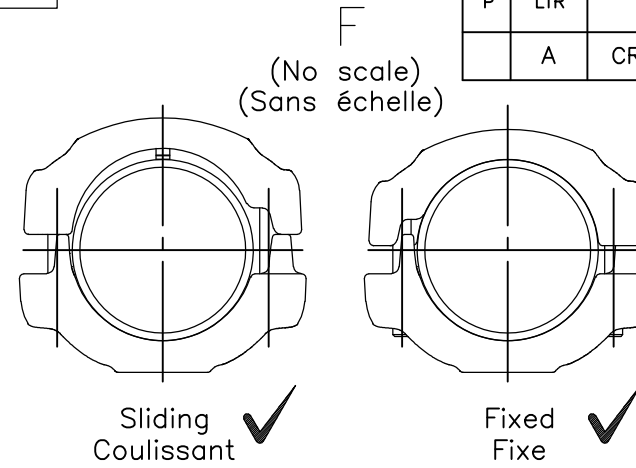
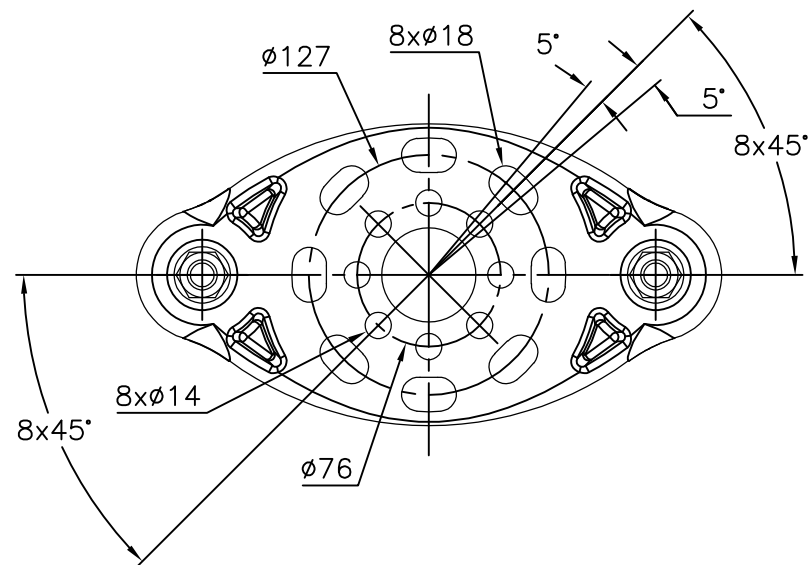
RELEASED FOR PUBLICATION

ALL RIGHTS RESERVED.

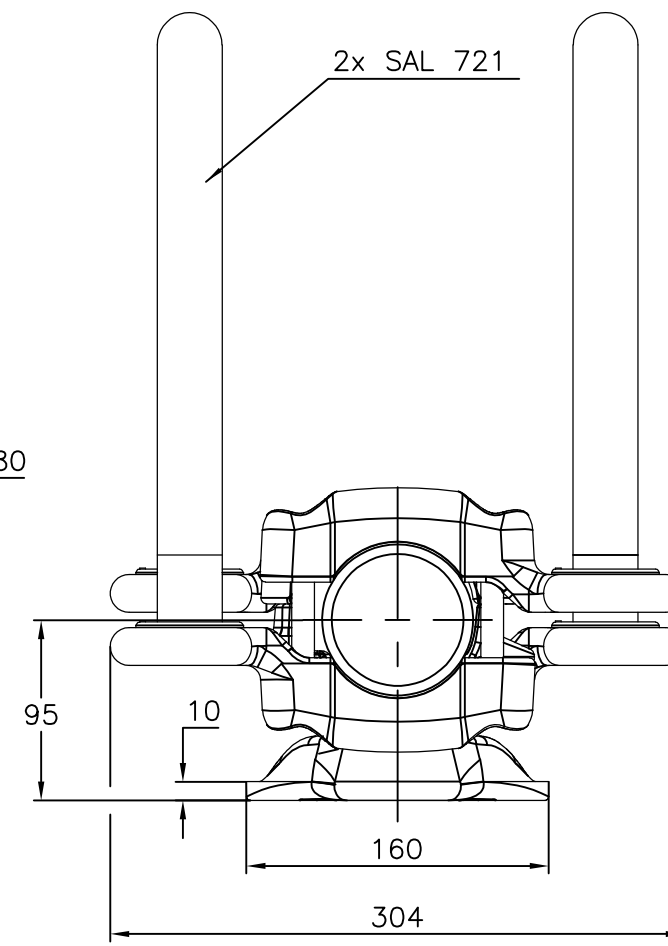
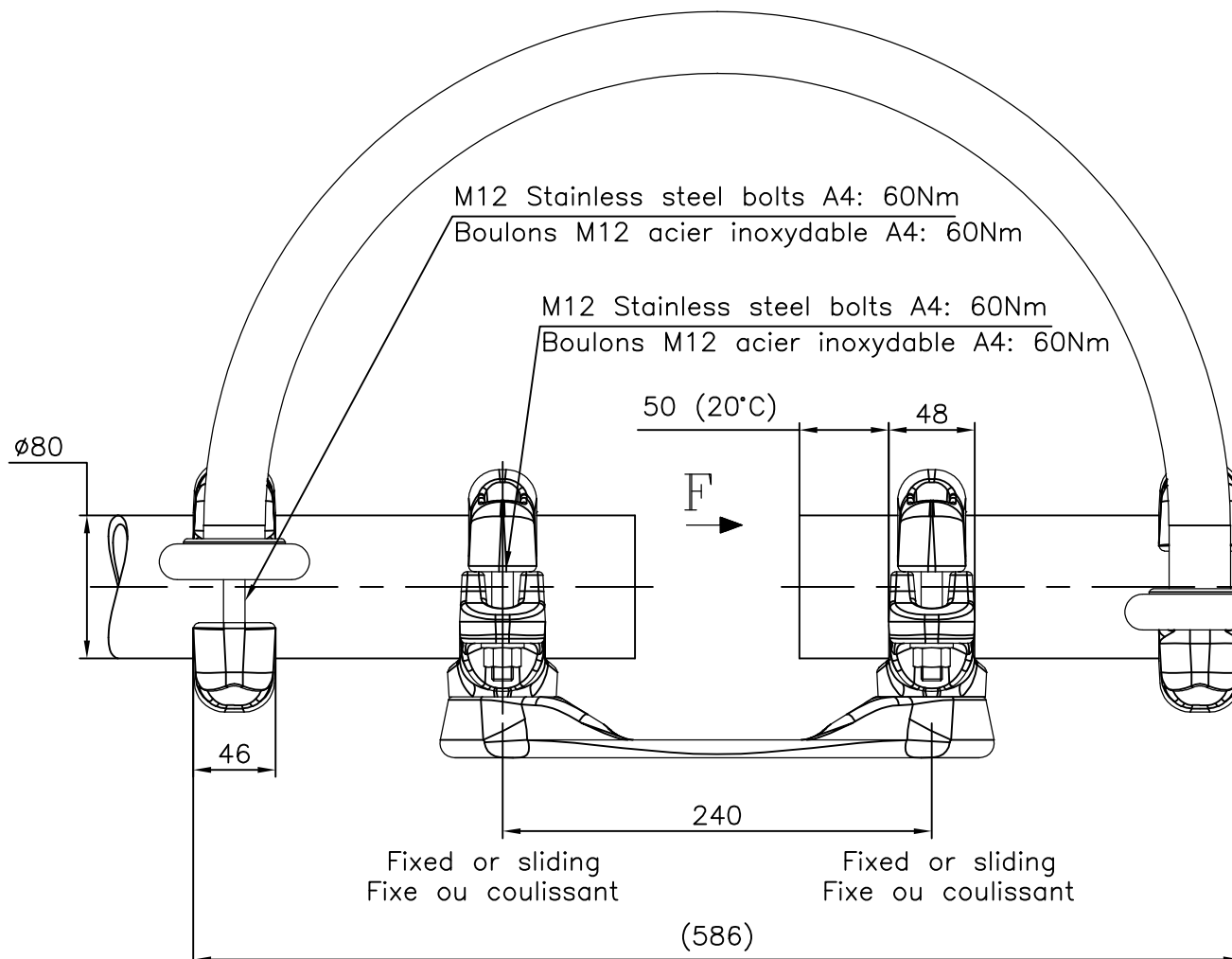
© COPYRIGHT - By -

REVISIONS

P	LTR	DESCRIPTION	DATE	DWN	APVD
	A	CREATION	5-Oct-16	JPM	-



No scale
Sans échelle



THIS DRAWING IS A CONTROLLED DOCUMENT.		DWN MOYEUX 5-Oct-16	TE Connectivity														
DIMENSIONS: mm		CHK -				NAME FLEXIBLE JUNCTION BUSBAR SUPPORT ON BPI SUPPORT JUNCTION SOUPLE POUR TUBE SUR ISO											
TOLERANCES UNLESS OTHERWISE SPECIFIED:		APVD -	PRODUCT SPEC 108-69094-001														
<table border="0"> <tr><td>0 PLC</td><td>± -</td></tr> <tr><td>1 PLC</td><td>± -</td></tr> <tr><td>2 PLC</td><td>± -</td></tr> <tr><td>3 PLC</td><td>± -</td></tr> <tr><td>4 PLC</td><td>± -</td></tr> <tr><td>ANGLES</td><td>± -</td></tr> </table>		0 PLC	± -	1 PLC	± -	2 PLC	± -	3 PLC	± -	4 PLC	± -	ANGLES	± -	APPLICATION SPEC -	SIZE A3	CAGE CODE 00779	DRAWING NO C=2310073
0 PLC	± -																
1 PLC	± -																
2 PLC	± -																
3 PLC	± -																
4 PLC	± -																
ANGLES	± -																
MATERIAL -		FINISH -	APPROX.WEIGHT 10.1 kg	RESTRICTED TO -													
ITEM:.....			CUSTOMER DRAWING	SCALE 1:4	SHEET 1 OF 1												
				REV A													