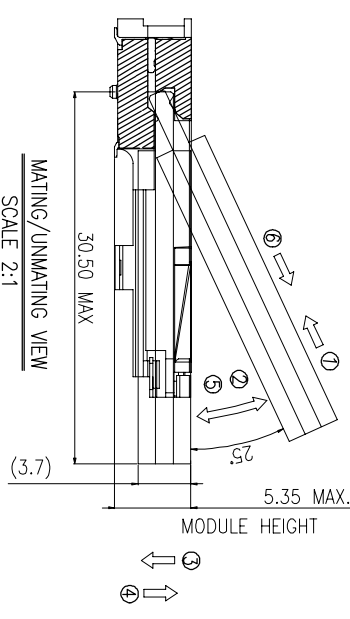
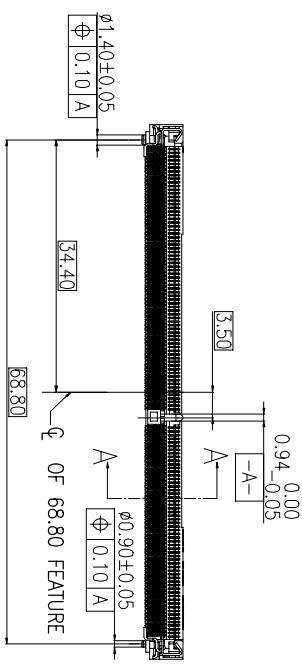
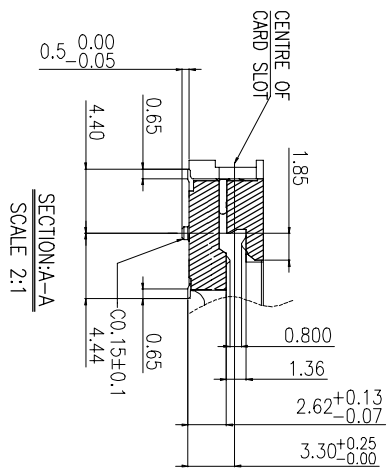


- NOTES:
- MATERIAL:
    - HOUSING:HIGH TEMPERATURE THERMO PLASTIC,UL94V-0,COLOR:BLACK.
    - CONTACT-COPPER ALLOY.
    - SOLDER PEG AND LATCH:STAINLESS STEEL.
  - FINISH:
    - SOLDER PEG: GOLD FLASH ON 50u" MIN NICKEL UNDERPLATED ALL OVER.
    - CONTACT SOLDER AREA: GOLD FLASH ON 50u" MIN NICKEL UNDERPLATED ALL OVER.
    - CONTACT AREA: GOLD FLASH ON 50u" MIN NICKEL UNDERPLATED ALL OVER.
    - CONTACT AREA: 5u" ON 50u" MIN NICKEL UNDERPLATED ALL OVER.
    - CONTACT AREA: 10u" ON 50u" MIN NICKEL UNDERPLATED ALL OVER.
    - CONTACT AREA: 15u" ON 50u" MIN NICKEL UNDERPLATED ALL OVER.
    - CONTACT AREA: 30u" ON 50u" MIN NICKEL UNDERPLATED ALL OVER.
    - COPLANARITY:0.10MAX.(BEFORE SOLDERING)

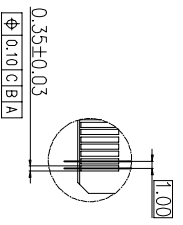
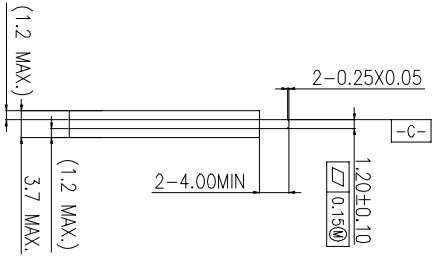
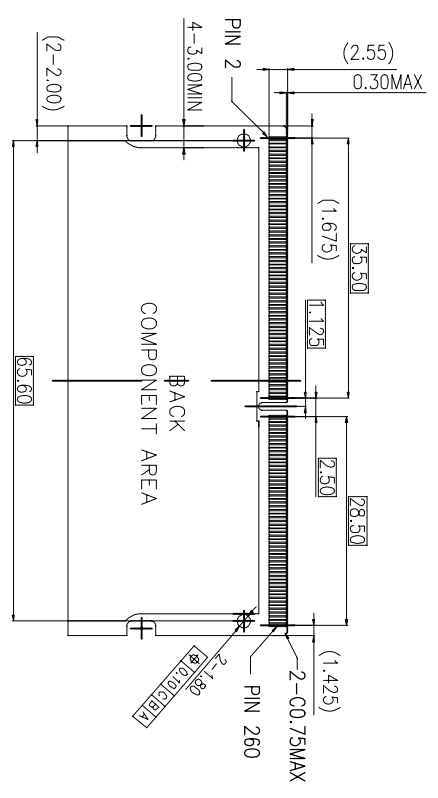
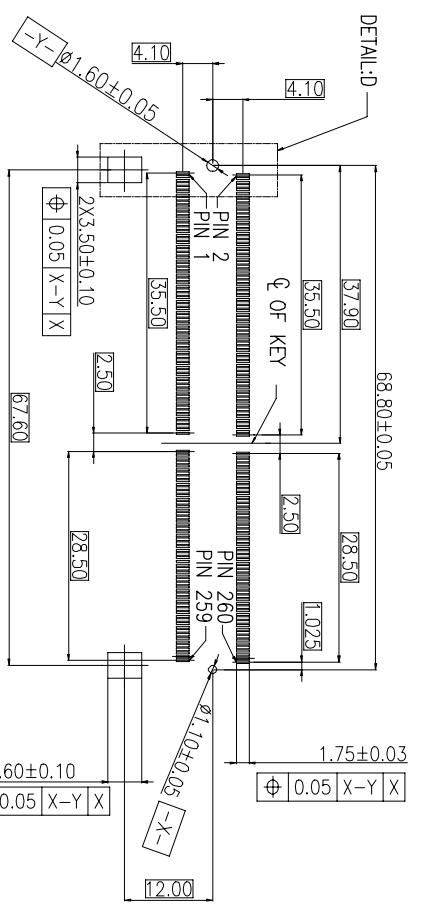
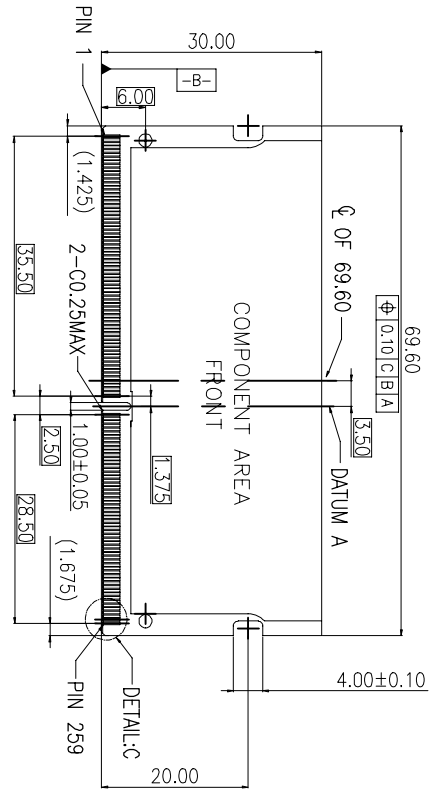


- MATING: ① INSERTING(25) — ② ROTATING — ③ FIXED
- UNMATING: ④ UNFIXED — ⑤ ROTATING — ⑥ WITHDRAWING



TAPE&REEL	BLACK	1.2V	30u"	260	2309410-5
TAPE&REEL	BLACK	1.2V	15u"	260	2309410-4
TAPE&REEL	BLACK	1.2V	10u"	260	2309410-3
TAPE&REEL	BLACK	1.2V	5u"	260	2309410-2
TAPE&REEL	BLACK	1.2V	GF	260	2309410-1
PAKING TYPE	HOUSING COLOR	POWER SUPPLY FINISH	POS	PART NO.	

DIMENSIONS:	TOLERANCES UNLESS OTHERWISE SPECIFIED:	UNIT
0 R.C.	± 0.25	mm
1 R.C.	± 0.15	
2 R.C.	± 0.10	
3 R.C.	± 0.05	
4 R.C.	± 0.02	
ANGLES	± 0.05	
FINISH	± 0.05	



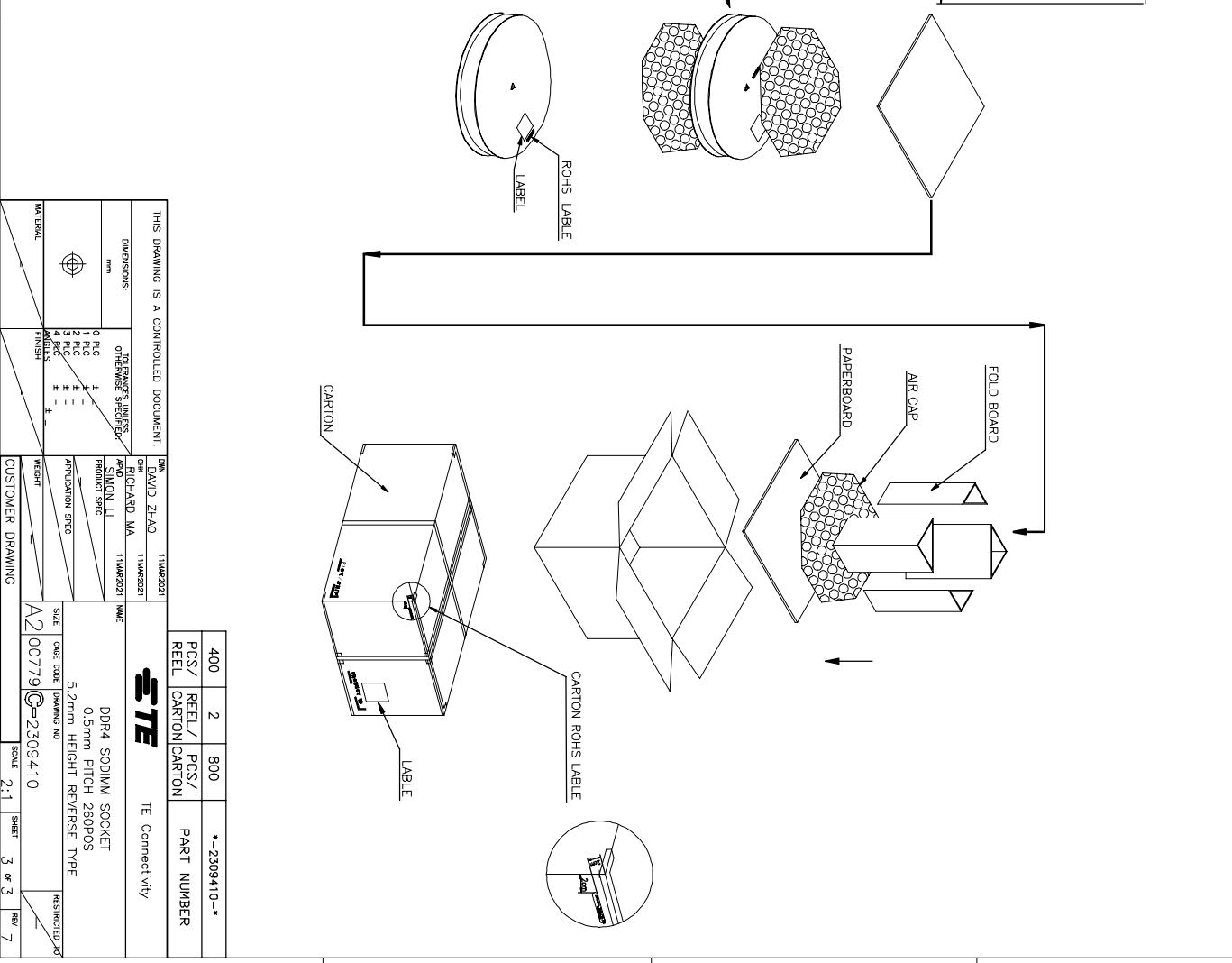
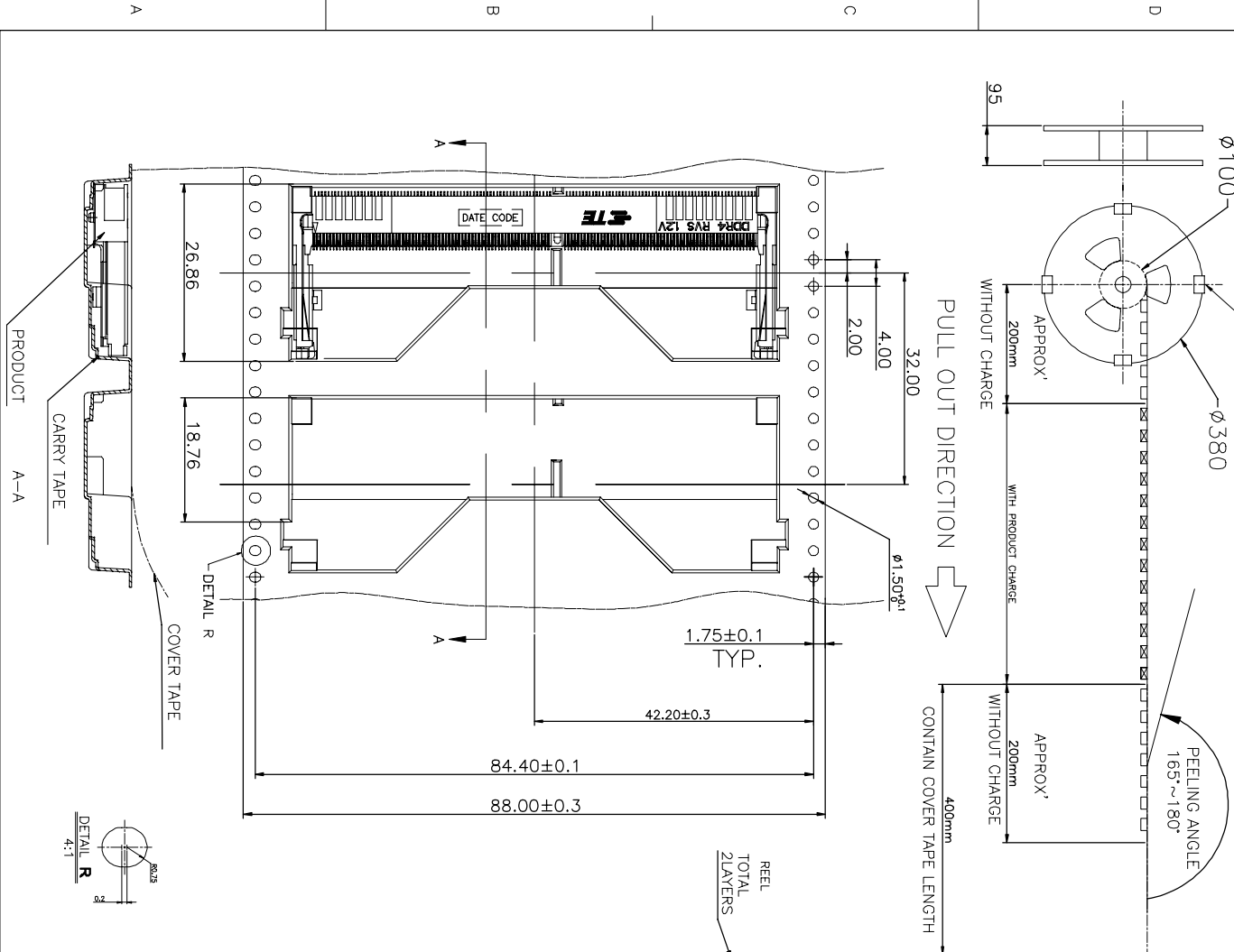
DETAIL:C  
SCALE 2:1

DETAIL:D  
SCALE 2:1

REVISIONS		DATE	OWN	APP'D
P	REV	DESCRIPTION		
-	-	-	-	-

THIS DRAWING IS A CONTROLLED DOCUMENT.		ENR AND ZHAO	11MAR2021	NAME	TE Connectivity
DIMENSIONS: mm		CHK	11MAR2021	PRODUCT SPEC	DDR4 SODIMM SOCKET
TOLERANCE UNLESS OTHERWISE SPECIFIED		RICHARD MA	11MAR2021	APPLICATION SPEC	0.5mm PITCH 260POS
0 R.C.	+			SIZE	5.2mm HEIGHT REVERSE TYPE
1 R.C.	+			SIZE	00779
2 R.C.	+			SCALE	2:1
3 R.C.	+			SHEET	2 of 3
4 R.C.	+			REV	7
5 R.C.	+				
6 R.C.	+				
7 R.C.	+				
8 R.C.	+				
9 R.C.	+				
10 R.C.	+				
11 R.C.	+				
12 R.C.	+				
13 R.C.	+				
14 R.C.	+				
15 R.C.	+				
16 R.C.	+				
17 R.C.	+				
18 R.C.	+				
19 R.C.	+				
20 R.C.	+				
21 R.C.	+				
22 R.C.	+				
23 R.C.	+				
24 R.C.	+				
25 R.C.	+				
26 R.C.	+				
27 R.C.	+				
28 R.C.	+				
29 R.C.	+				
30 R.C.	+				
31 R.C.	+				
32 R.C.	+				
33 R.C.	+				
34 R.C.	+				
35 R.C.	+				
36 R.C.	+				
37 R.C.	+				
38 R.C.	+				
39 R.C.	+				
40 R.C.	+				
41 R.C.	+				
42 R.C.	+				
43 R.C.	+				
44 R.C.	+				
45 R.C.	+				
46 R.C.	+				
47 R.C.	+				
48 R.C.	+				
49 R.C.	+				
50 R.C.	+				
51 R.C.	+				
52 R.C.	+				
53 R.C.	+				
54 R.C.	+				
55 R.C.	+				
56 R.C.	+				
57 R.C.	+				
58 R.C.	+				
59 R.C.	+				
60 R.C.	+				
61 R.C.	+				
62 R.C.	+				
63 R.C.	+				
64 R.C.	+				
65 R.C.	+				
66 R.C.	+				
67 R.C.	+				
68 R.C.	+				
69 R.C.	+				
70 R.C.	+				
71 R.C.	+				
72 R.C.	+				
73 R.C.	+				
74 R.C.	+				
75 R.C.	+				
76 R.C.	+				
77 R.C.	+				
78 R.C.	+				
79 R.C.	+				
80 R.C.	+				
81 R.C.	+				
82 R.C.	+				
83 R.C.	+				
84 R.C.	+				
85 R.C.	+				
86 R.C.	+				
87 R.C.	+				
88 R.C.	+				
89 R.C.	+				
90 R.C.	+				
91 R.C.	+				
92 R.C.	+				
93 R.C.	+				
94 R.C.	+				
95 R.C.	+				
96 R.C.	+				
97 R.C.	+				
98 R.C.	+				
99 R.C.	+				
100 R.C.	+				

REVISIONS		DATE	OWN	APP'D
P	URL			
	DESCRIPTION			



THIS DRAWING IS A CONTROLLED DOCUMENT.		DATE	11MAR2021
DRAWN BY: DAVID ZHAO		CHECKED BY: RICHARD MA	11MAR2021
DIMENSIONS: mm		NAME	TE Connectivity
TOLERANCES UNLESS OTHERWISE SPECIFIED:		PRODUCT SPEC	DDR4 SODIMM SOCKET
0 R.C.	+	PRODUCT SPEC	0.5mm PITCH 260POS
1 R.C.	+	APPLICATION SPEC	5.2mm HEIGHT REVERSE TYPE
2 R.C.	+	APPROVAL	
4 R.C.	+	REVISION	
MATERIAL		SIZE	A2
CUSTOMER DRAWING		QTY	00779
		SCALE	2:1
		SHEET	3 of 3
		REV	7

400	2	800	*-2309410-*
PCS/ REEL	REEL/ CARTON	PCS/ CARTON	PART NUMBER

2309410