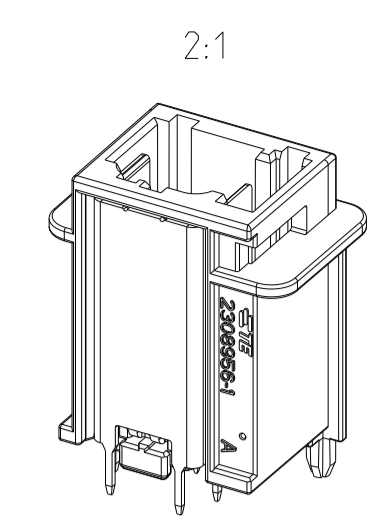


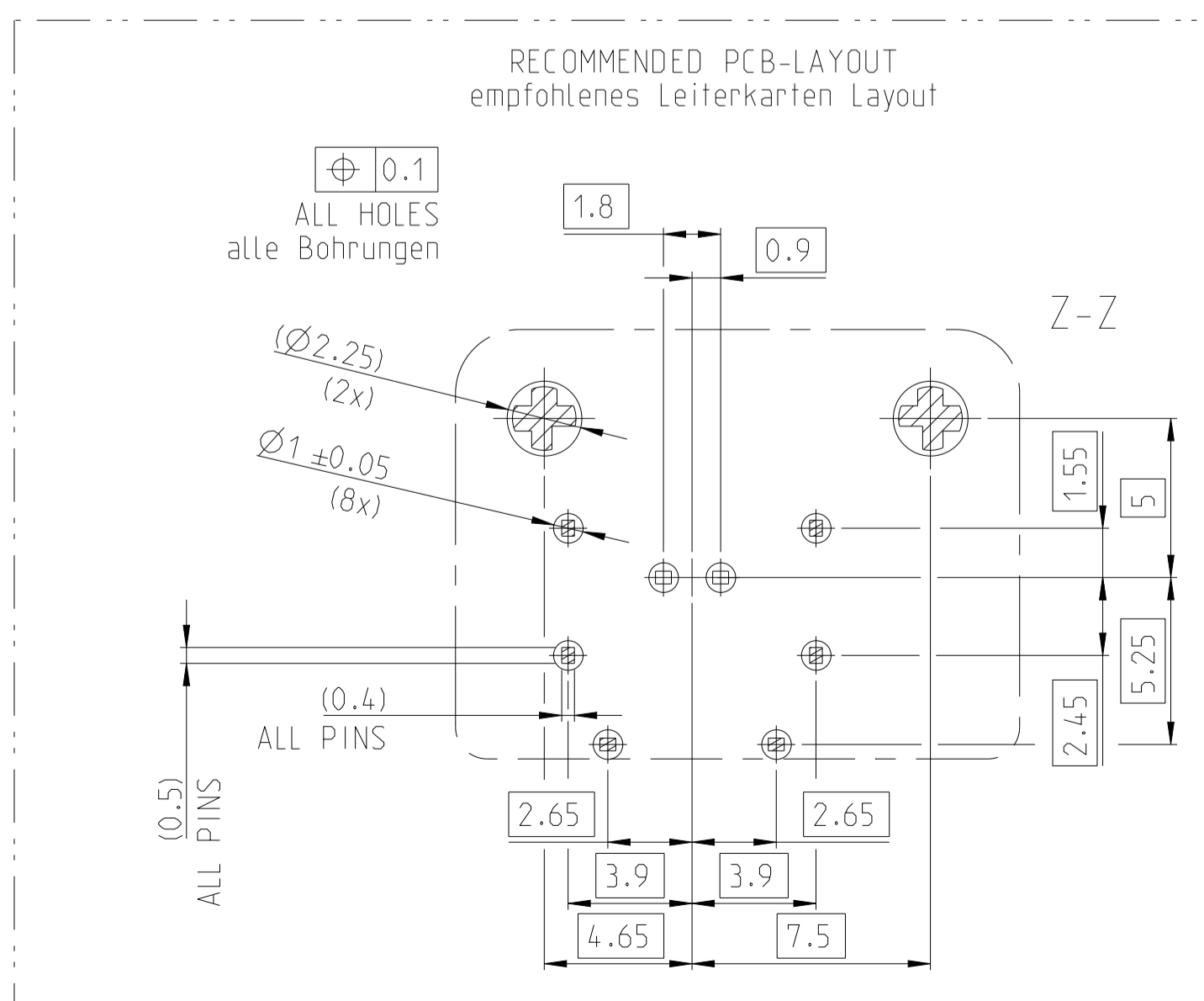
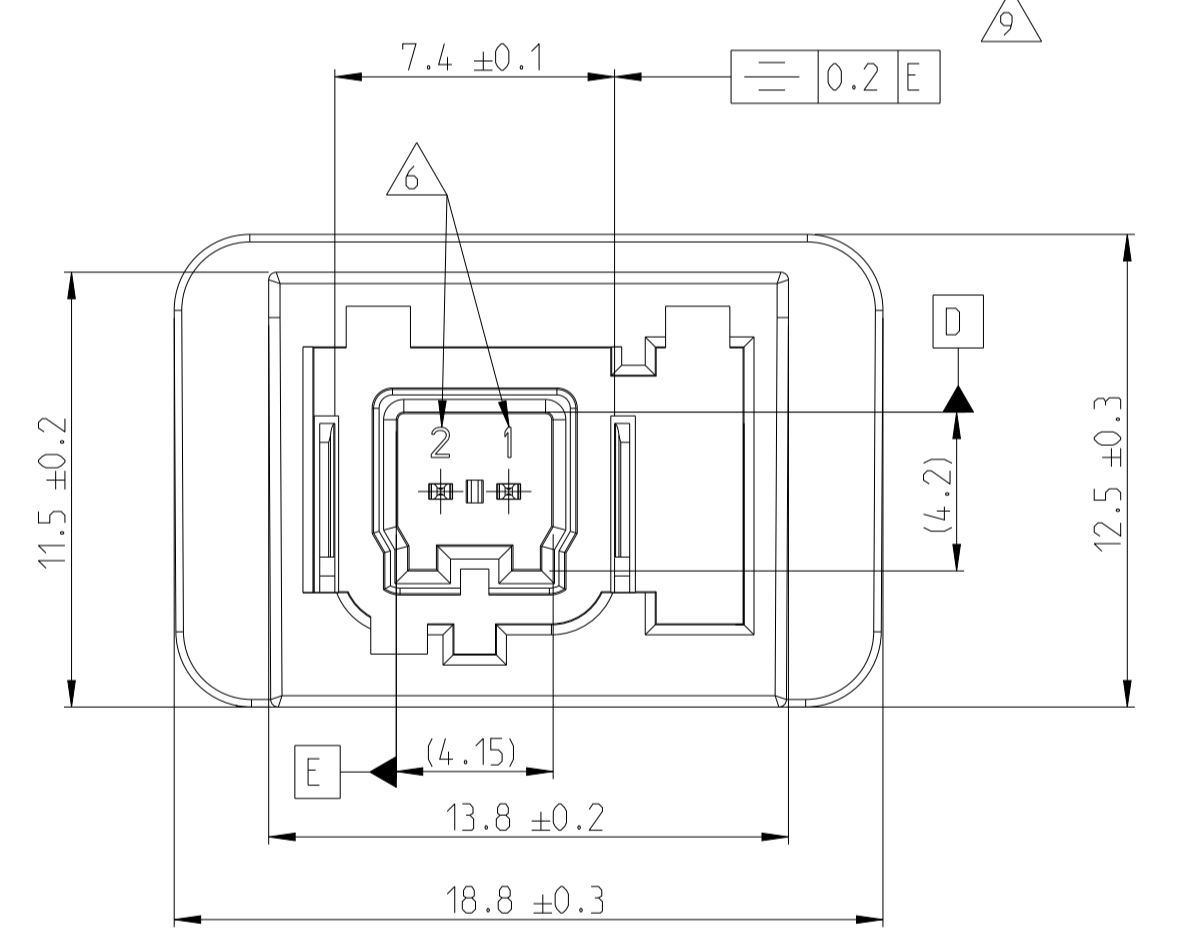
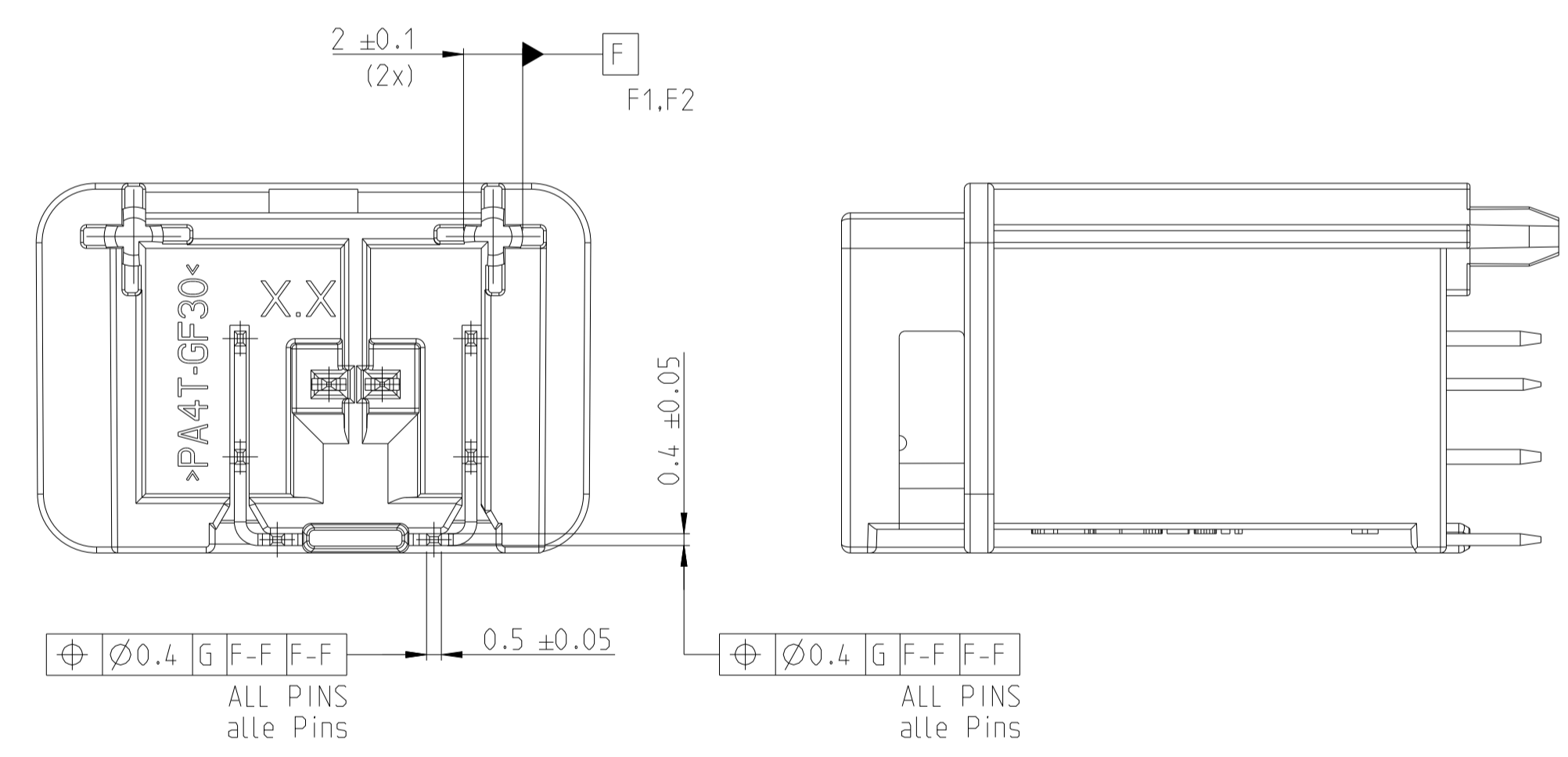
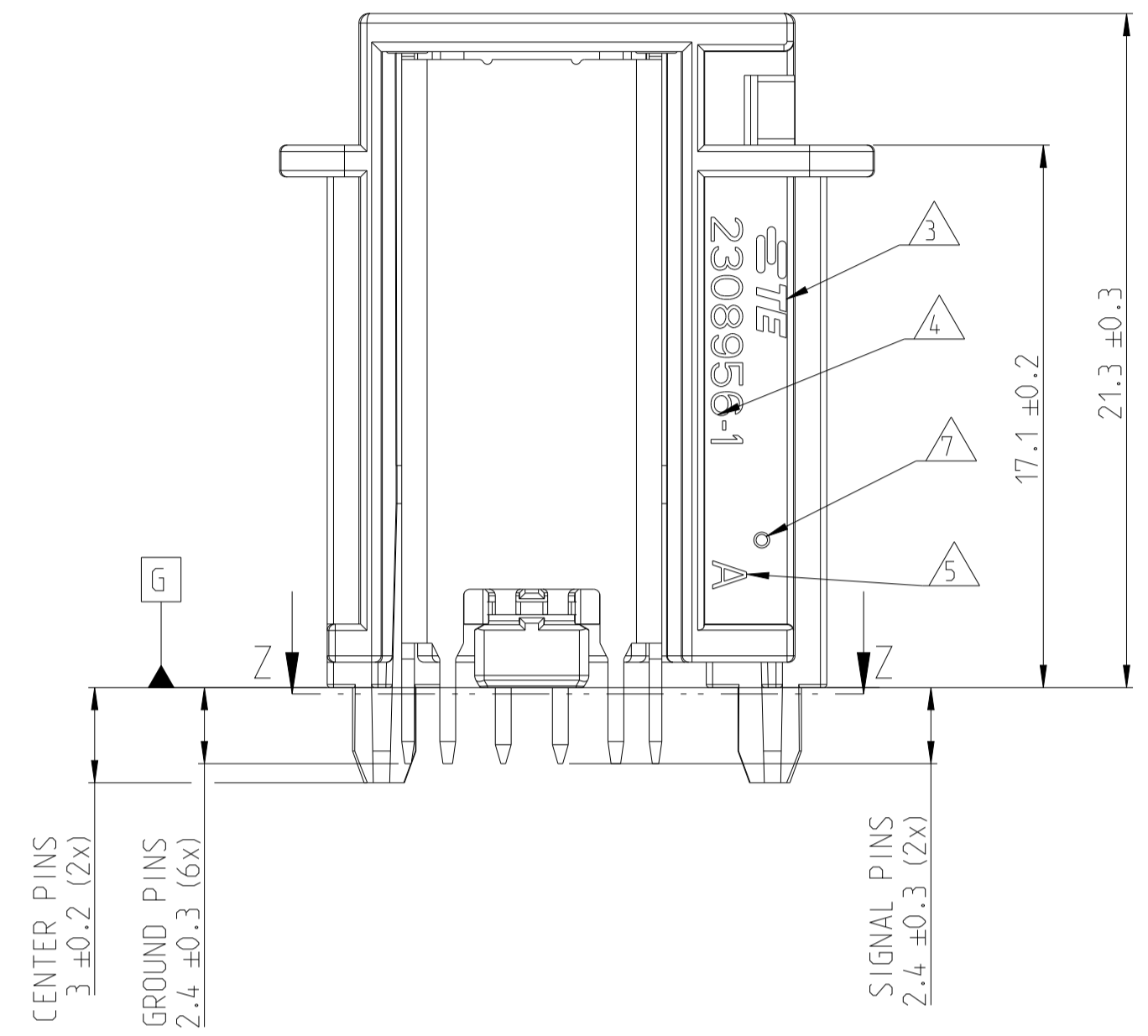
Kodierungen nach TE Schnittstellenzeichnung 208-18006  
 CODINGS ACC. TE INTERFACE DRAWING 208-18006

CODE A	CODE B	CODE C	CODE J	CODE Z

REV. NO.	DATE	BY	CHK	APVD
A6	E-20-014064			
A7	PCN-22-130887 (added 1-2308956-x)			
A8	PCN-22-139297 (added 2-2308956-x)			
A9	No PCN-No. Typo correction. only			



- Notizen/NOTES:
- 2308956-1 Kodierung A wie dargestellt  
2308956-1 CODING A AS SHOWN
  - Fehlende Maße siehe TE-Schnittstellenzeichnung 208-18006  
MISSING DIMENSIONS SEE TE-INTERFACE DRAWING 208-18006
  - TE-Logo  
TE-LOGO
  - TE Teil Number  
TE Part Number
  - Revisionsstand  
PART REVISION
  - Kontaktkammernummer  
CONTACT CAVITY NUMBER
  - Gutteil Markierung  
GOOD-PART MARKING
  - Verpackung: nach Verpackungsspezifikation V2308956  
Blisfengurt auf Spule  
PACKAGING: ACC PACKAGING INSTRUCTION V2308956  
TAPE & REEL
  - Toleranz abweichend zur Schnittstelle 208-18006.  
Funktionalität belegt, siehe Test 20-AUT-DE-1201, 20-AUT-DE-1202  
TOLERANCE DEVIATING TO INTERFACE 208-18006  
FUNCTIONALITY PROVEN. SEE TEST 20-AUT-DE-1201, 20-AUT-DE-1202
  - CONTACT SURFACE:  
SOLDER SIDE 3-8 µm Sn OVER 1-2.5 µm Ni  
MATING SIDE 1-3 µm Sn OVER 1-4 µm Ni  
Kontaktoberfläche:  
Loetseitig 3-8 µm Sn ueber 1-2.5 µm Ni  
Steckseitig 1-3 µm Sn ueber 1-4 µm Ni



TE ASSY No. Packaging:	TE ASSY No. Packaging:	REV.	CODE	QTY.	DESCRIPTION	MATERIAL	COLOR/SURFACE	WEIGHT (g)	POS
2-2308956-9	1-2308956-9	A	Z	2	Soldering Pins for 180° MATeNet HSG.	CuNiSi	Sn	3.7	3
				1	Sheet for 180° Header	CuSn4	Ni / Sn		2
				1	MATeNet 180° Single Port Header HSG., Code Z	PA10T-GF30	WATER BLUE		1
2-2308956-7	1-2308956-7	A	J	2	Soldering Pins for 180° MATeNet HSG.	CuNiSi	Sn	3.9	3
				1	Sheet for 180° Header	CuSn4	Ni / Sn		2
				1	MATeNet 180° Single Port Header HSG., Code D	PA10T-GF30	CLARET VIOLET		1
2-2308956-3	1-2308956-3	A	C	2	Soldering Pins for 180° MATeNet HSG.	CuNiSi	Sn	3.9	3
				1	Sheet for 180° Header	CuSn4	Ni / Sn		2
				1	MATeNet 180° Single Port Header HSG., Code C	PA10T-GF30	BLUE		1
2-2308956-2	1-2308956-2	A	B	2	Soldering Pins for 180° MATeNet HSG.	CuNiSi	Sn	3.9	3
				1	Sheet for 180° Header	CuSn4	Ni / Sn		2
				1	MATeNet 180° Single Port Header HSG., Code B	PA10T-GF30	WHITE		1
2-2308956-1	1-2308956-1	A	A	2	Soldering Pins for 180° MATeNet HSG.	CuNiSi	Sn	3.9	3
				1	Sheet for 180° Header	CuSn4	Ni / Sn		2
				1	MATeNet 180° Single Port Header HSG., Code A	PA10T-GF30	BLACK		1
2308956-9	A	Z	2	Soldering Pins for 180° MATeNet HSG.	CuNiSi	Sn	3.7	3	
			1	Sheet for 180° Header	CuSn4	Ni / Sn		2	
			1	MATeNet 180° Single Port Header HSG., Code Z	PA4T-GF30	WATER BLUE		1	
2308956-7	A	J	2	Soldering Pins for 180° MATeNet HSG.	CuNiSi	Sn	3.9	3	
			1	Sheet for 180° Header	CuSn4	Ni / Sn		2	
			1	MATeNet 180° Single Port Header HSG., Code D	PA4T-GF30	CLARET VIOLET		1	
2308956-3	A	C	2	Soldering Pins for 180° MATeNet HSG.	CuNiSi	Sn	3.9	3	
			1	Sheet for 180° Header	CuSn4	Ni / Sn		2	
			1	MATeNet 180° Single Port Header HSG., Code C	PA4T-GF30	BLUE		1	
2308956-2	A	B	2	Soldering Pins for 180° MATeNet HSG.	CuNiSi	Sn	3.9	3	
			1	Sheet for 180° Header	CuSn4	Ni / Sn		2	
			1	MATeNet 180° Single Port Header HSG., Code B	PA4T-GF30	WHITE		1	
2308956-1	A	A	2	Soldering Pins for 180° MATeNet HSG.	CuNiSi	Sn	3.9	3	
			1	Sheet for 180° Header	CuSn4	Ni / Sn		2	
			1	MATeNet 180° Single Port Header HSG., Code A	PA4T-GF30	BLACK		1	

THIS DRAWING IS A CONTROLLED DOCUMENT.

DIN 16742 - TOLERANCES AND ACCEPTANCE CONDITIONS  
 DIN 16742 - Toleranzen und Abnahmedingungen

DATE: 26 SEP 2016  
 CHK: J. KIEBWEITER  
 R. WUERKER  
 APVD: A. KETTLER  
 16 DEC 2016

NAME: MATeNet 180deg Single Port Header Ass'y  
 MATeNet 180deg SINGLE PORT HEADER

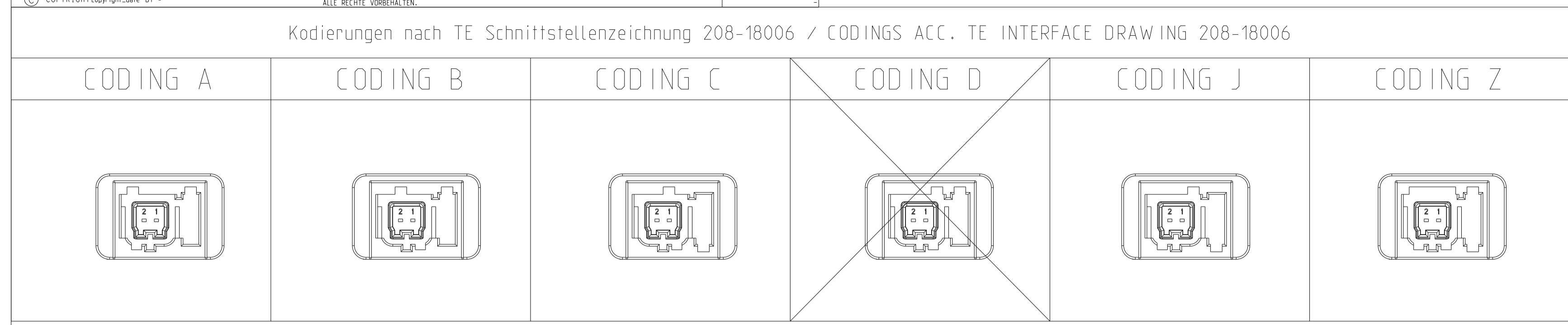
SIZE: A1  
 CAGE CODE: 00779  
 DRAWING NO: 2308956  
 RESTRICTED TO: NUR FÜR

MATERIAL: see table  
 FINISH/SURFACE/FARBE: see table

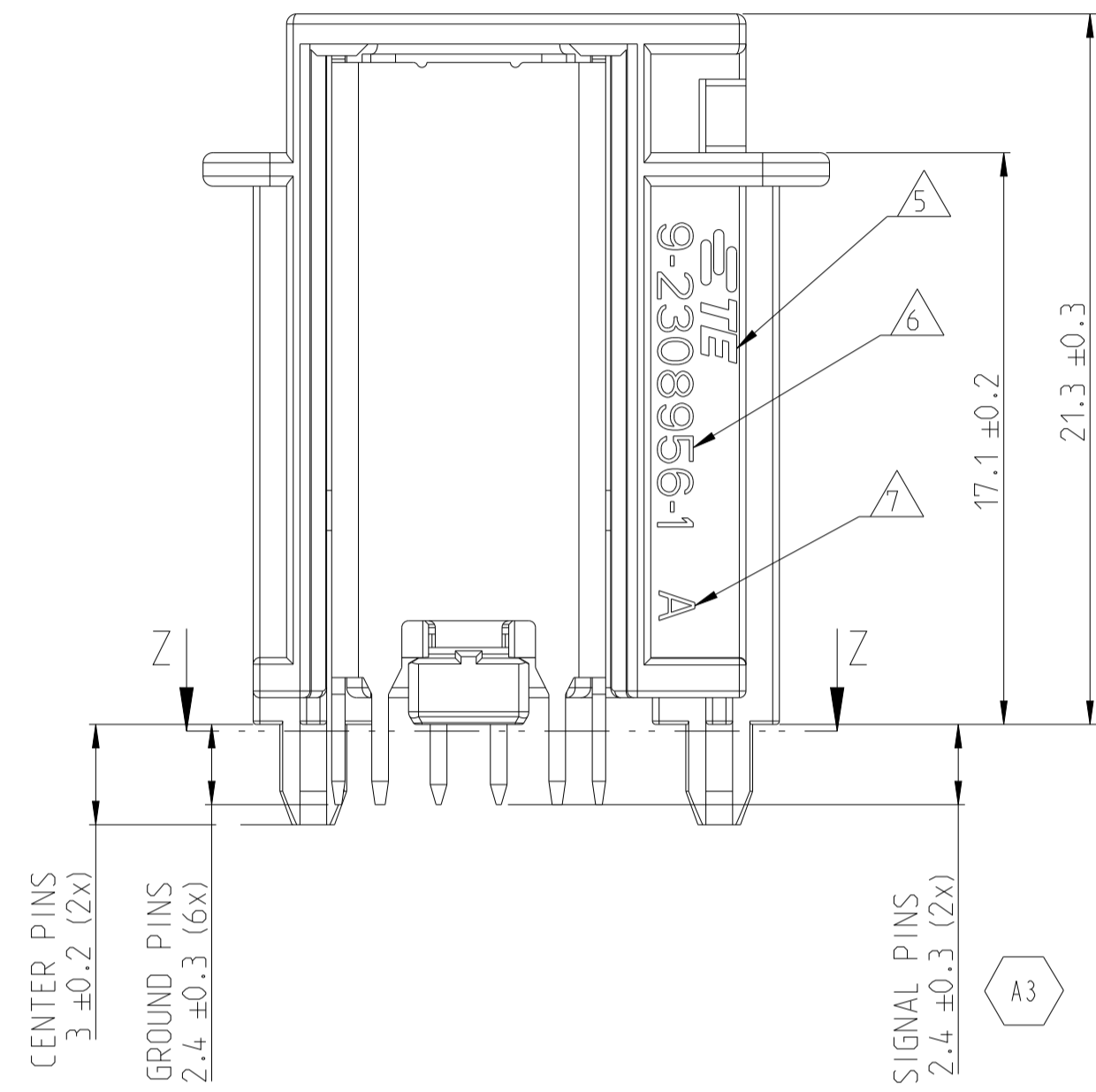
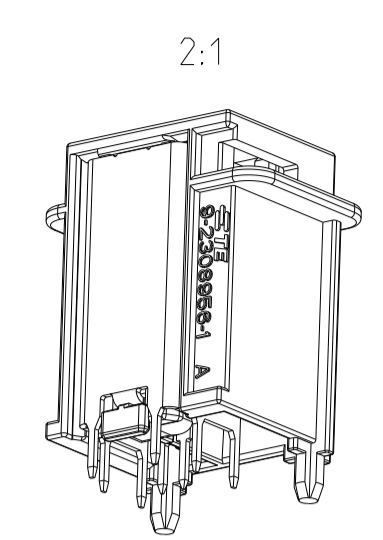
WEIGHT: see table  
 GEWICHT: see table

CUSTOMER DRAWING  
 /KUNDENZEICHNUNG

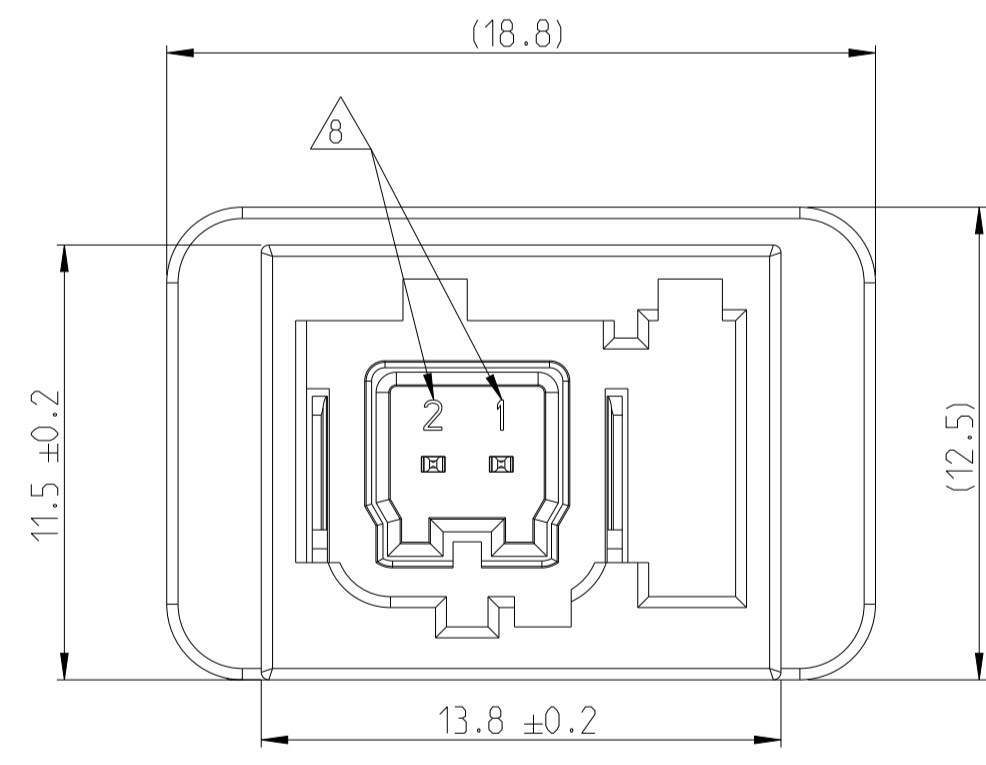
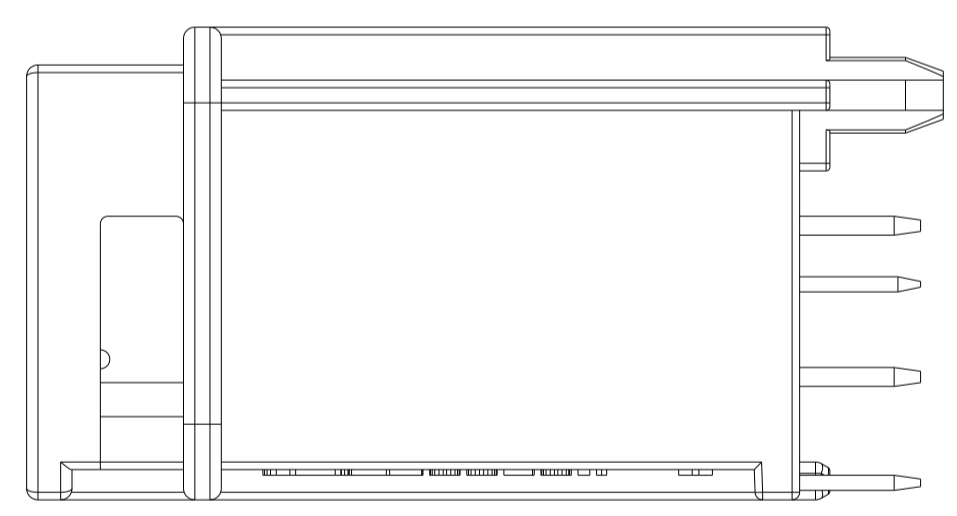
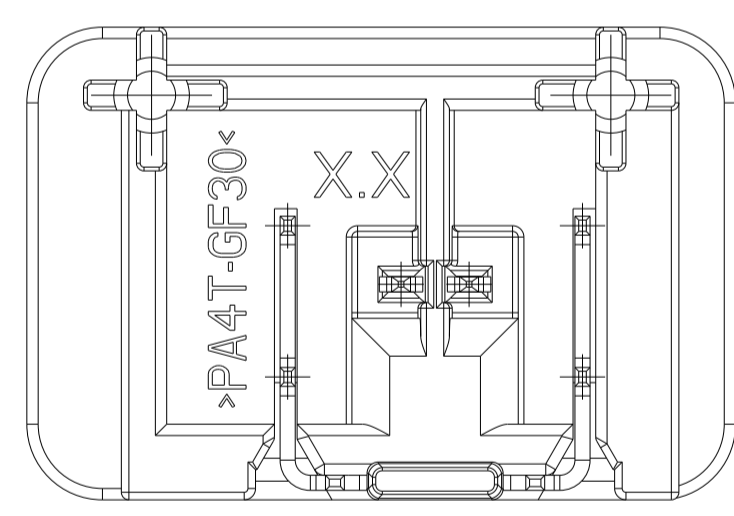
SCALE: MASSSTAB 5:1  
 SHEET: BLATT 1 OF 2  
 REV: A9



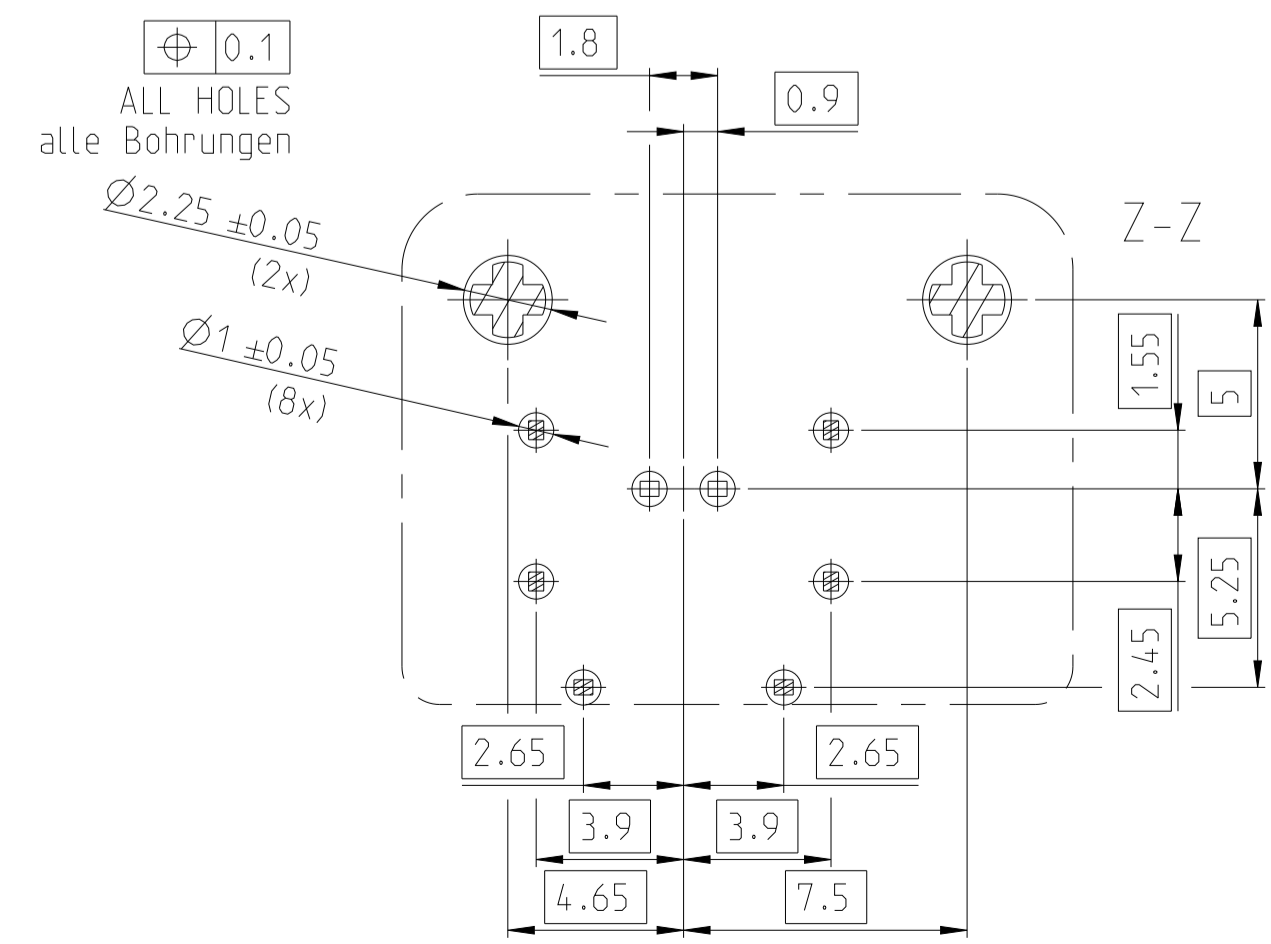
PROJEKT NR.:		REVISIONS		
P	LTN	ÄNDERUNGEN	DATE	DWN
-	-	SEE SHEET 1	-	-



- Notizen/NOTES:
- 9-2308956-2 Kodierung B wie dargestellt  
9-2308956-2 CODING B AS SHOWN
  - Fehlende Maße siehe TE-Schnittstellenzeichnung 208-18006  
MISSING DIMENSIONS SEE TE-INTERFACE DRAWING 208-18006
  - Alle Abmessungen in ( ) nur zur Information  
ALL DIMENSIONS IN ( ) FOR INFORMATION ONLY
  - Verpackung: nach Verpackungsspezifikation V2308956  
Blistergurt auf Spule  
PACKAGING: ACC PACKAGING INSTRUCTION V2308956  
TAPE & REEL
- TE-Logo  
TE-LOGO
  - TE Teil Number  
TE Part Number
  - Revisionsstand  
PART REVISION
  - Kontaktkammernummer  
CONTACT CAVITY NUMBER



RECOMMENDED PCB-LAYOUT  
 empfohlenes Leiterkarten Layout



NUR FUER B-SAMPLES  
 FOR PROTOTYP B-SAMPLES ONLY

TE ASSY No.	REV.	CODE	QTY.	DESCRIPTION	MATERIAL	COLOR/SURFACE	WEIGHT [g]	POS
9-2308956-9	A	Z	2	Soldering Pins for 180° MATEnet HSG.	CuMg0.1	Sn	3.7	3
			1	Sheet for 180° Header	CuSn6	Ni / Sn		2
			1	MATEnet 180° Single Port Header HSG., Code Z	PA4T-GF30	WATER BLUE		1
9-2308956-7	A	J	2	Soldering Pins for 180° MATEnet HSG.	CuMg0.1	Sn	3.9	3
			1	Sheet for 180° Header	CuSn6	Ni / Sn		2
			1	MATEnet 180° Single Port Header HSG., Code J	PA4T-GF30	BEIGE		1
9-2308956-4	A	D	2	Soldering Pins for 180° MATEnet HSG.	CuMg0.1	Sn	3.9	3
			1	Sheet for 180° Header	CuSn6	Ni / Sn		2
			1	MATEnet 180° Single Port Header HSG., Code D	PA4T-GF30	CLARET VIOLET		1
9-2308956-3	A	C	2	Soldering Pins for 180° MATEnet HSG.	CuMg0.1	Sn	3.9	3
			1	Sheet for 180° Header	CuSn6	Ni / Sn		2
			1	MATEnet 180° Single Port Header HSG., Code C	PA4T-GF30	BLUE		1
9-2308956-2	A	B	2	Soldering Pins for 180° MATEnet HSG.	CuMg0.1	Sn	3.9	3
			1	Sheet for 180° Header	CuSn6	Ni / Sn		2
			1	MATEnet 180° Single Port Header HSG., Code B	PA4T-GF30	WHITE		1
9-2308956-1	A	A	2	Soldering Pins for 180° MATEnet HSG.	CuMg0.1	Sn	3.9	3
			1	Sheet for 180° Header	CuSn6	Ni / Sn		2
			1	MATEnet 180° Single Port Header HSG., Code A	PA4T-GF30	BLACK		1

THIS DRAWING IS A CONTROLLED DOCUMENT.

DIMENSIONS: MASSENHEITEN: mm

TOLERANCES UNLESS OTHERWISE SPECIFIED: ALLGEMEINTOLERANZEN

0 PLC ±0.3  
 1 PLC ±0.3  
 2 PLC ±  
 3 PLC ±  
 4 PLC ±

ANGLES/ANWINKEL: °  
 FINISH/OBERFLÄCHE/FARBE: -

WEIGHT GEWICHT: see table  
 CUSTOMER DRAWING

DWN: J. KIEBWEITZER 26SEP2016  
 CHK: R. WUERKER 15DEC2016  
 APVD: A. KETTELER 16DEC2016

NAME: MATEnet 180deg Single Port Header Ass'y  
 MATEnet 180deg SINGLE PORT HEADER

SIZE: A1  
 CAGE CODE: 00779  
 DRAWING NO: 2308956-9  
 RESTRICTED TO: NUR FUER

SCALE: MASSSTAB 5:1  
 SHEET: BLATT 2 OF 2  
 REV: A9