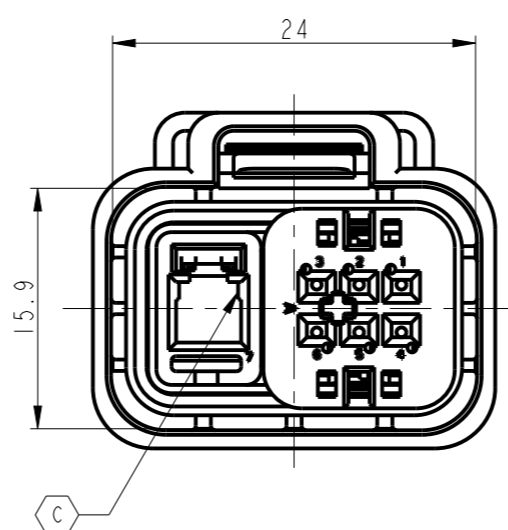
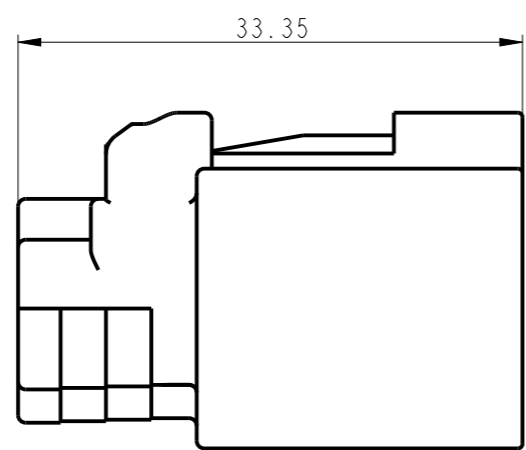
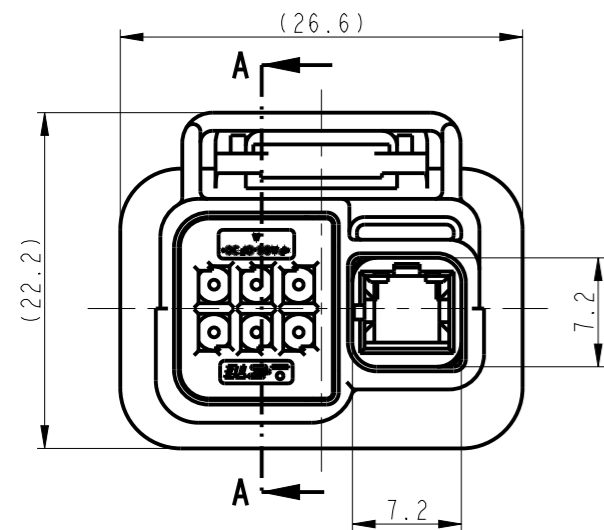
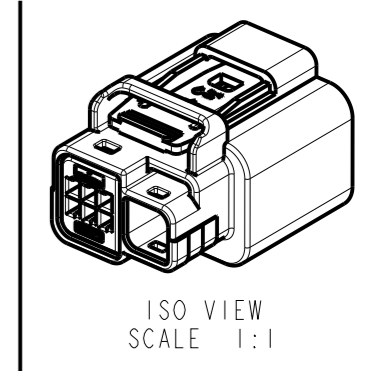
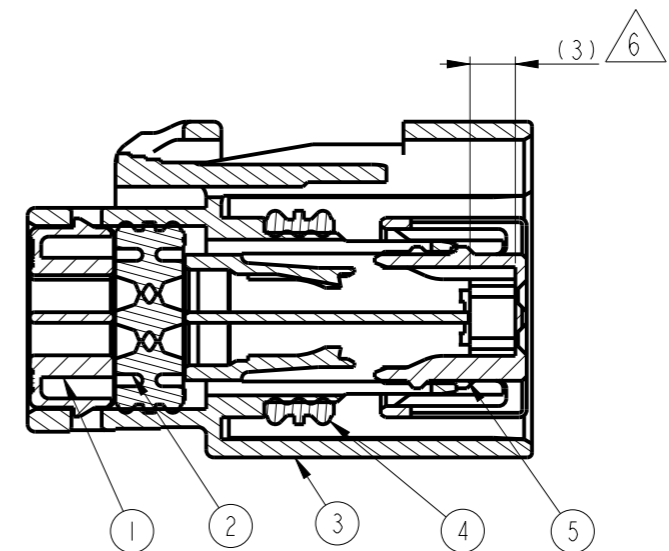
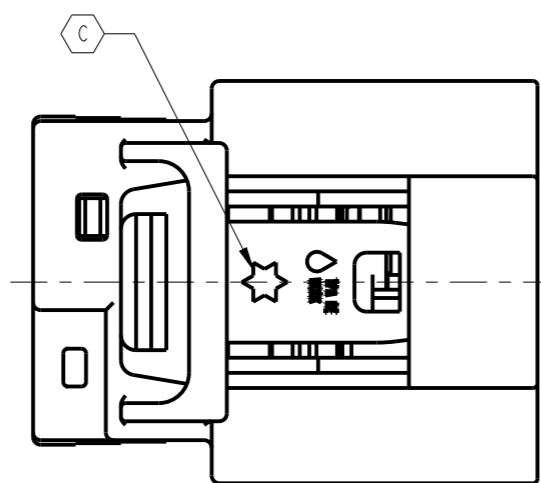


REVISIONS

P	LTR	DESCRIPTION	DATE	DWN	APVD
C		REVISED (ECR-20-010535)	10-Sep-20	SM	GC



SECTION A-A

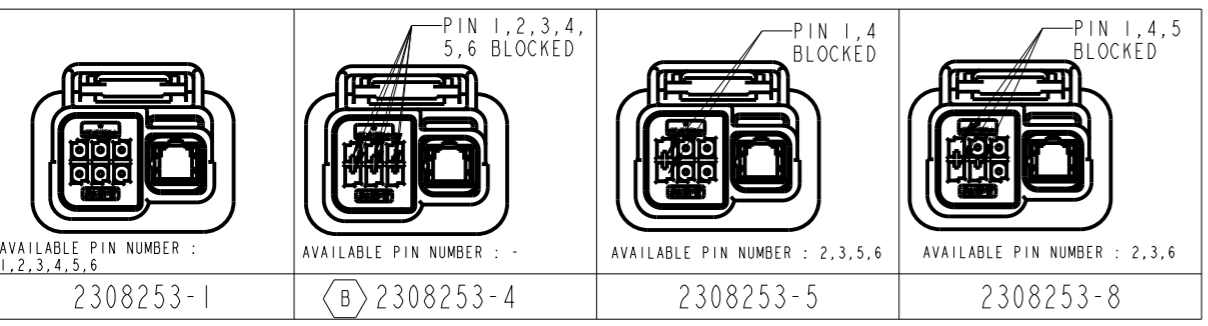
NOTE ;

- 1. GENERAL TOLERANCE : ±0.3, ±3.0°
- 2. APPLICABLE REC. CONTACT : SEE TABLE 1.
- 3. APPLICABLE CAP ASS'Y P/N : 2308234
- 4. APPLICABLE RF WIRE SEAL ASS'Y P/N : 2310387-3
- 5. APPLICABLE RF WIRE SEAL BLOCK ASS'Y P/N : 1-2310387-3
- △ DBL SUPPLY CONDITION : 1'ST LOCKING.
- △ APPLICABLE COAXIAL CABLE : 1.5DS-CV, 1.5D-EXHV-AS

TABLE 1. APPLICABLE REC. CONTACT.

CONTACT	PART NO.	WIRE RANGE (mm ²) / DESCRIPTION	INSULATION DIA. (mm) (FLR)
025	1393367-1	0.22	1.1~1.2
		0.30	1.3~1.4
△ RF	1-2005002-1	REC. CONTACT	
	2-2005001-3	REC. SHIELD	
	2005000-3	REC. DIELECTRIC	

NO	COLOR	MATERIAL	DESCRIPTION	Q' TY
5	GRAY	PA66-GF30	FRONT RETAINER	1
4	ORANGE	SILICON	INNER SEAL	1
3	BLACK	PA66-GF30	PLUG HSG	1
2	ORANGE	SILICON	FAMILY SEAL	1
1	BLUE	PA66-GF30	REAR RETAINER	1
	YELLOW			1
	BROWN			1
	NATURAL			1



THIS DRAWING IS A CONTROLLED DOCUMENT.	
DIMENSIONS: mm	TOLERANCES UNLESS OTHERWISE SPECIFIED
0 PLC ±:	1 PLC ±0.1
2 PLC ±0.01	3 PLC ±0.001
4 PLC ±0.0001	ANGLES ±:
MATERIAL -	FINISH -

THIS DRAWING IS A CONTROLLED DOCUMENT.

DWN: SM RYU
CHK: GC KWON
APVD: GC KWON

TE Connectivity

025/RF SEALED 7P PLUG ASS'Y

SIZE: A3 CAGE CODE: 00779 DRAWING NO: C-2308253

CUSTOMER DRAWING SCALE: 2.1 SHEET: 1 OF 1 REV: C